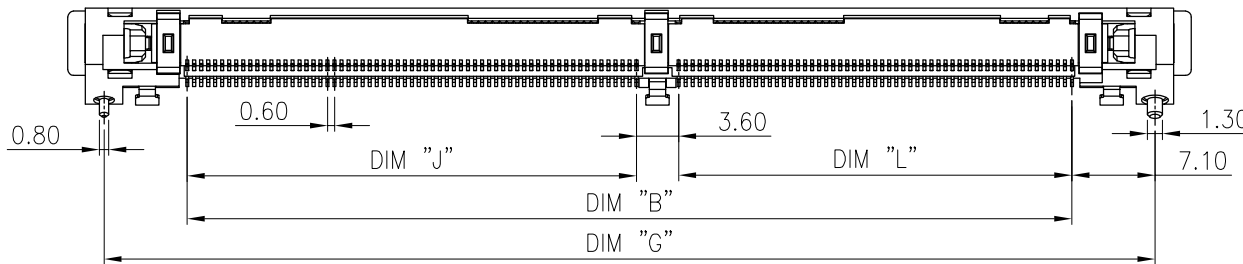
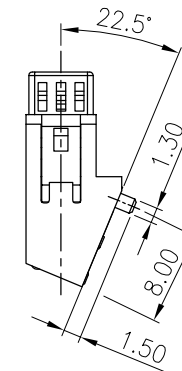
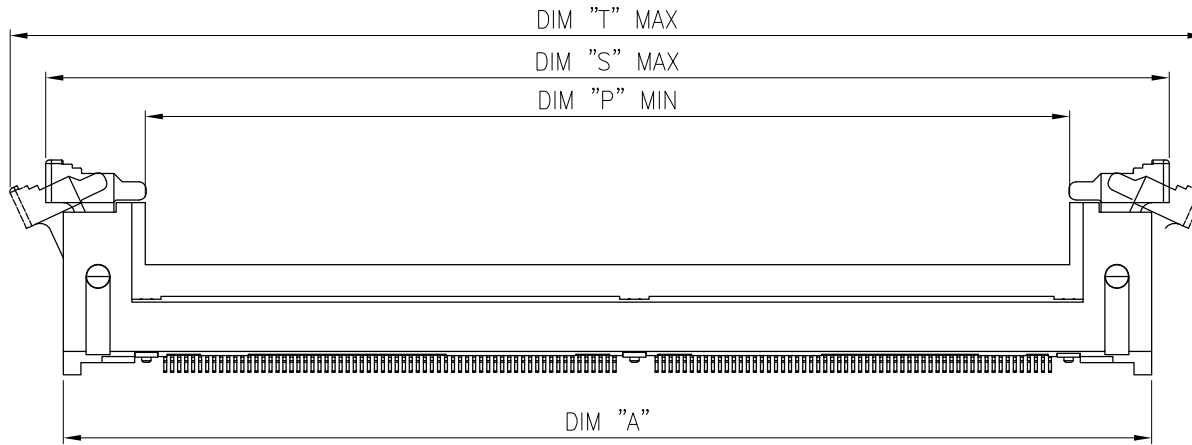
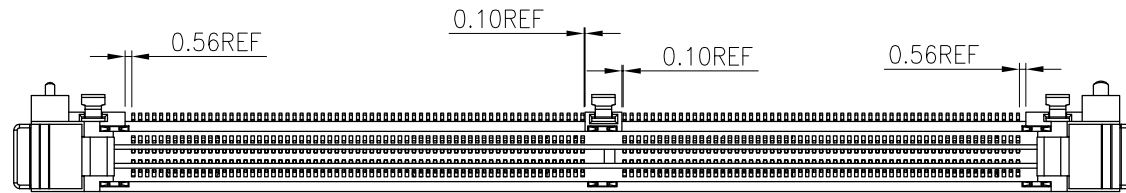


PROPRIETARY INFORMATION  
COMPANY CONFIDENTIAL

6	7	8		
REV.	ECN. NO.	DESCRIPTION	ENG	DATE
A		INITIAL	Sun	2/18/2016
B		UPDATE DRAWING	Jane	5/18/2016
C		CHANGE THE PLATING DESCRIPTION	Jane	6/27/2016



NOTES:

- 1.MATERIAL:  
HOUSING: HIGH TEMPERATURE LIQUID CRYSTAL POLYMER. UL 94V-0  
COLOUR BLACK  
CONTACTS: COPPER ALLOY  
LATCHES: HIGH TEMPERATURE NYLON UL 94V-0  
COLOUR NATURAL(OFF-WHITE)  
COVER: HIGH TEMPERATURE LIQUID CRYSTAL POLYMER. UL 94V-0

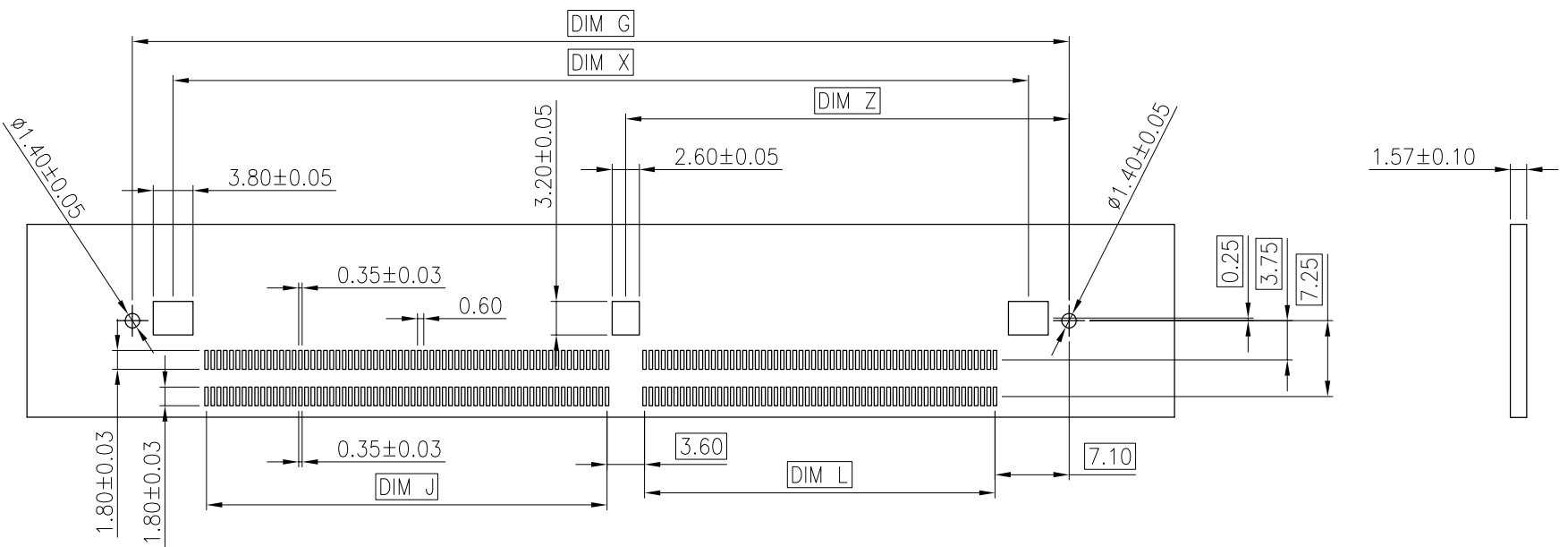


2.FINISH

- CONTACTS : CONTACT AREA: 30u" MIN. GOLD OVER NICKEL 50u" MIN.  
SOLDER AREA: GOLD FLASH OVER NICKEL 50u" MIN.  
BOARD LOCK: 80u" MIN. TIN PLATING OVER NICKEL 50u" MIN.

GENERAL TOLERANCE X.±0.50 .X±0.38 .XX±0.25 .XXX±0.15	ANGLE TOLERANCE X'± 5.0' .X'± 3.0' .XX'± 2.0'	DRAWN Jane 6/27/16'	DATE 6/27/16'	<b>GENESIS</b> TECHNOLOGY, INC.
MATL SEE BOM	FINISH SEE NOTES	CHECKED Terry 6/27/16'	DATE 6/27/16'	
SCALE N/A	UNIT mm	APPROVED Daniel 6/27/16'	DATE 6/27/16'	PART NUMBER. 105-10002-01
SHEET 1 OF 4				DRAWING NO. 105-10002
				SIZE A4 REV. C

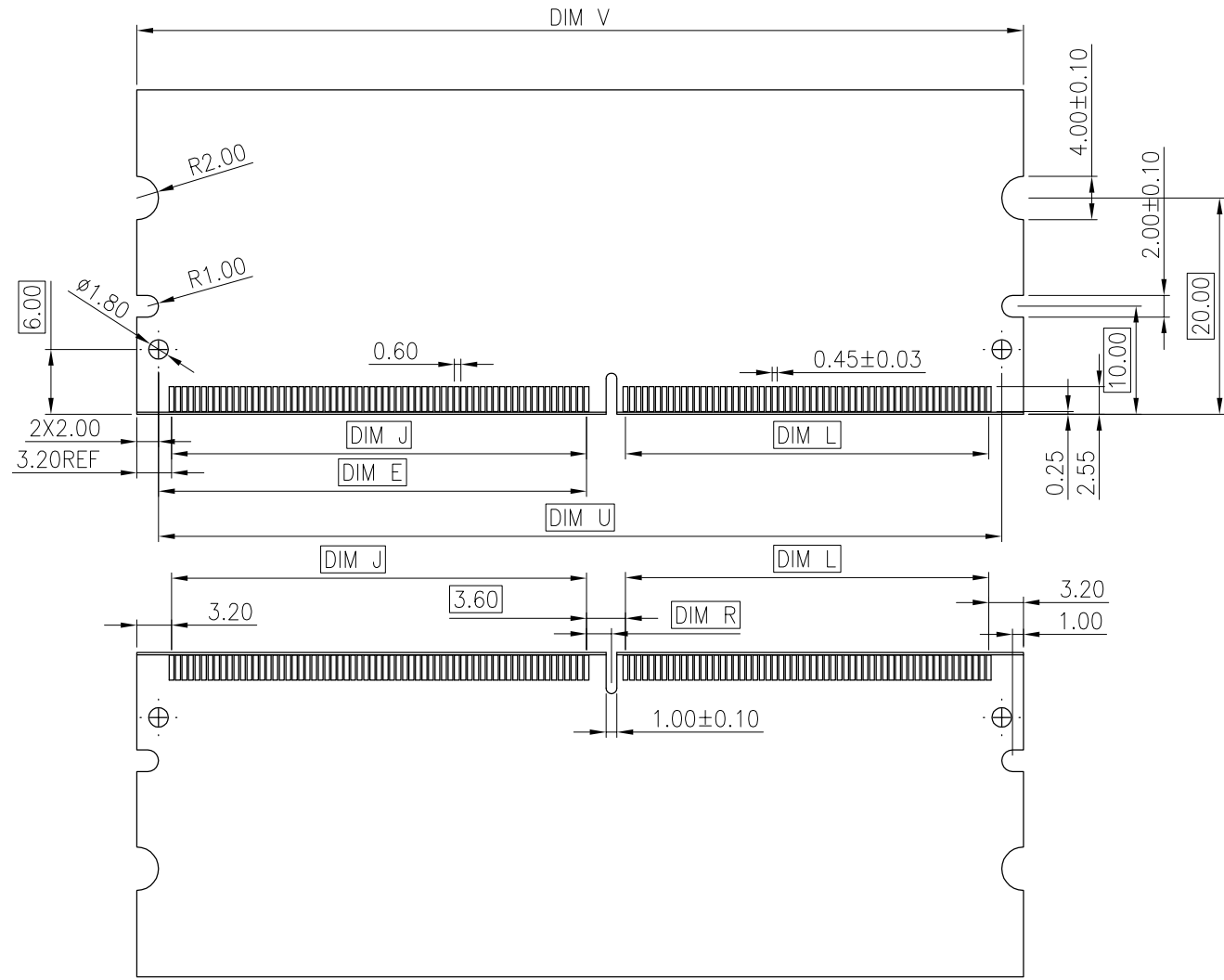
PROPRIETARY INFORMATION  
COMPANY CONFIDENTIAL



RECOMMENDED PCB LAYOUT

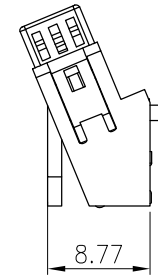
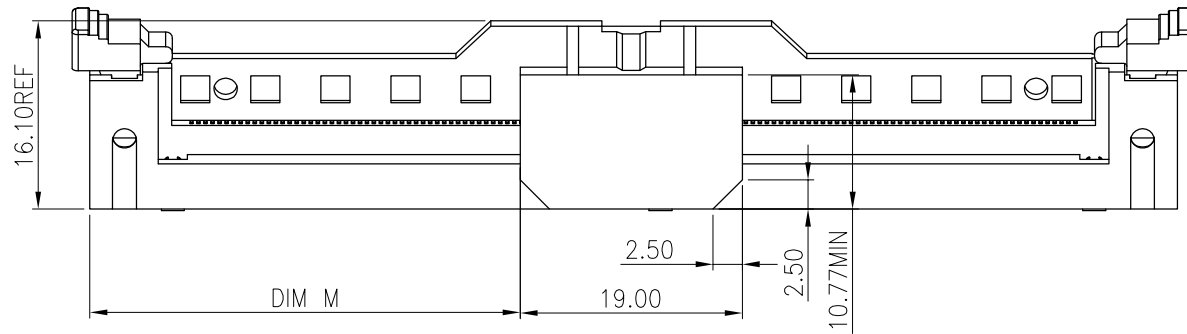
DWG NO.	SHEET	REVISION
105-10002	2 OF 4	SEE SHEET 1

PROPRIETARY INFORMATION  
COMPANY CONFIDENTIAL



DWG NO.	SHEET	REVISION
105-10002	3 OF 4	SEE SHEET 1

PROPRIETARY INFORMATION  
COMPANY CONFIDENTIAL



CKT SIZE N	MODULE CARD	VOLTAGE KEY	DIM R	DIM E	DIM J	DIM L	DIM M	DIM P	DIM G	DIM S	DIM T	DIM U	DIM V	DIM X	DIM Z	DIM A	DIM B
244	DDR 3	1.5V	2.30	39.60	38.40	33.60	37.0	79.0	89.8	96.0	106.2	78.00	82.00	82.0	42.5	93.0	75.6

DWG NO.	SHEET	REVISION
105-10002	4 OF 4	SEE SHEET 1