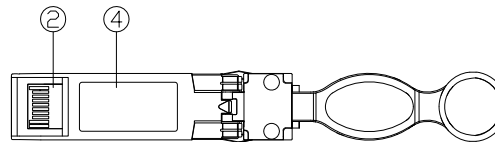
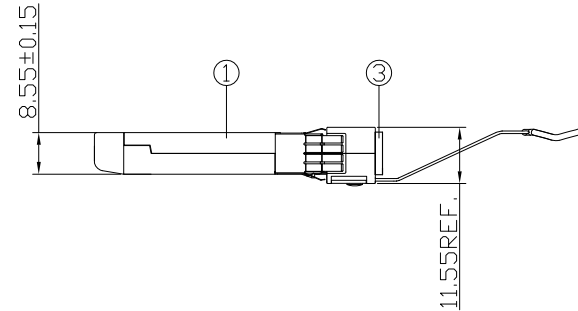
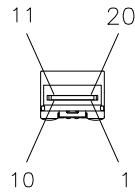
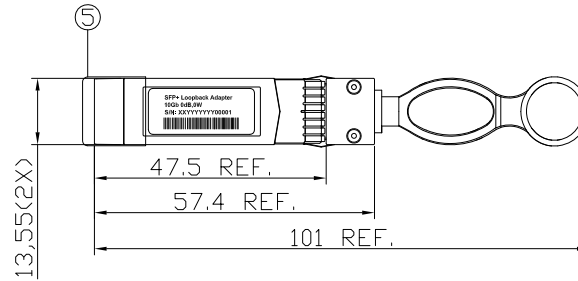


PROPRIETARY INFORMATION
COMPANY CONFIDENTIAL

REV.	ECN. NO.	DESCRIPTION	ENG	DATE
X1		INITIAL	HSIO	21/7/2016



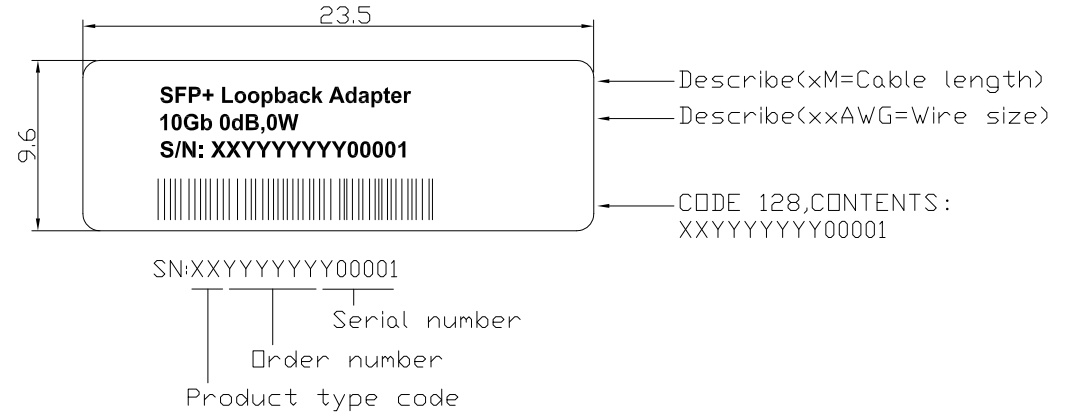
5	P-SFPPE-0003	1	DUST COVER FOR SFP, PE, NATUAL	
4	L-05-S-0002	1	SHELL BARCODE LABELS	
3	M-SF2CPNI-03=PL/N6	1	COPPER PLUG	
2	A-SP30030-0X	1	SFP+ Loopback PCB	
1	SSP330-1	1	SFP+ CONNECTOR (SHELL,PULL TAB,RIVET,SPRING,BAREL,FERRULE SLEEVE)	
ITEM	NAME	Q'TY	DESCRIPTION	NOTE

GENERAL TOLERANCE	ANGLE TOLERANCE
X.± 0.50	X°± 5.0°
.X± 0.20	.X°± 3.0°
.XX± 0.10	.XX°± 2.0°
.XXX± 0.05	.XXX°± 1.0°
MATL	SEE BOM
FINISH	SEE NOTES
SCALE	N/A
UNIT	mm
SHEET	1 OF 3

DRAWN	DATE
HSIO	2016.07.21
CHECKED	DATE
APPROVED	DATE

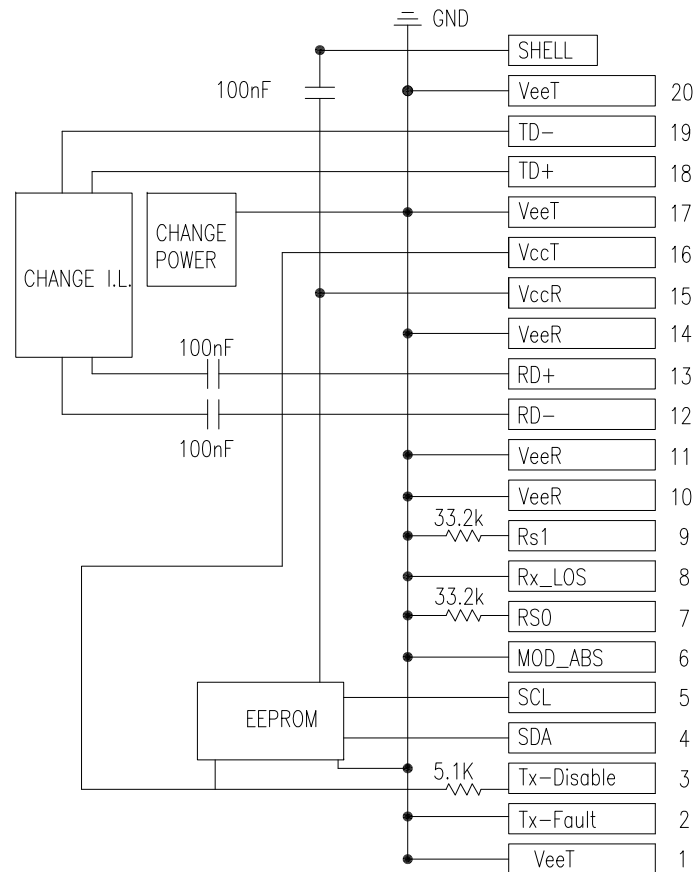
RoHS Compliant	
TITLE: SFP+ PASSIVE ELECTRICAL LOOPBACK ADAPTER	
PART NUMBER: 107-10007-01	
DRAWING NO. 107-10007	SIZE A4
	REV. X1

LABEL INFORMATION



- 1.ALL COMPONENTS COMPLY. TO SFF-MSA STANDARD SPECIFICATION.
- 2.SUPPORT DATA RATES UP TO 10 Gbps
- 3.ROBUST ZINC DIE CAST BODY, BRIGHT NICKEL PLATED.
- 4.SPRING LOADED LATCH RELEASES WITH SIMPLE SQUEEZE, AND PULL ACTION.
- 5.100 Ohm IMPEDANCE.
- 6.HOT PLUGGABLE.

WIRING TABLE



RoHS Compliant

GENERAL TOLERANCE X.± 0.50 .X± 0.20 .XX± 0.10 .XXX± 0.05	ANGLE TOLERANCE X°± 5.0° .X°± 3.0° .XX°± 2.0° .XXX°± 1.0°	DRAWN HSIO	DATE 2016.07.21	
MATL SEE BOM	FINISH SEE NOTES	CHECKED	DATE	
SCALE N/A	UNIT mm	APPROVED	DATE	PART NUMBER 107-10007-01
SHEET 2 OF 2				DRAWING NO. 107-10007
				SIZE A4
				REV. X1