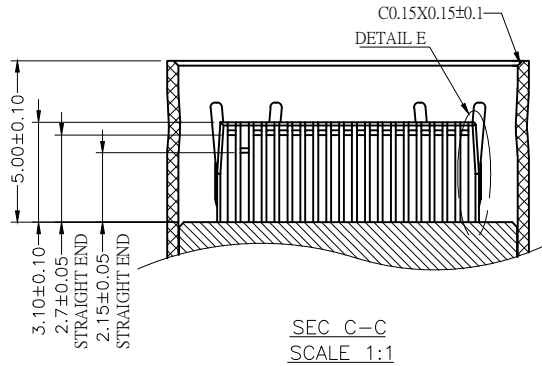
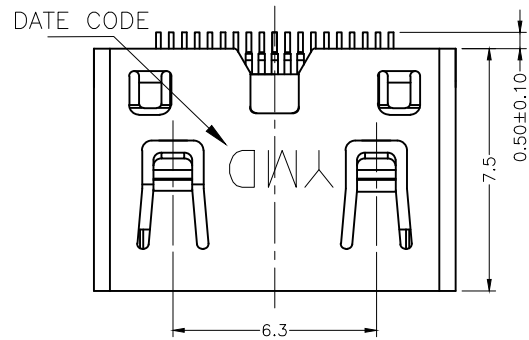


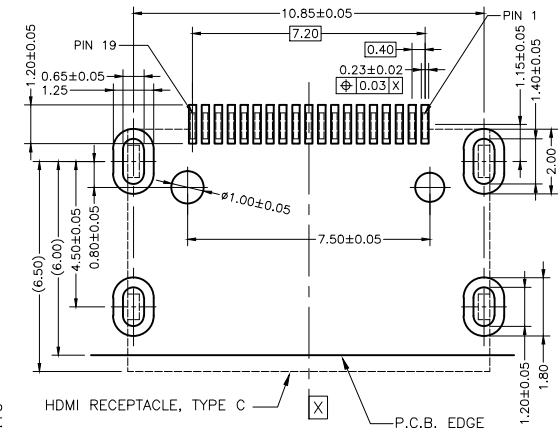
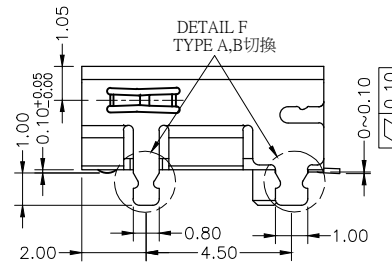
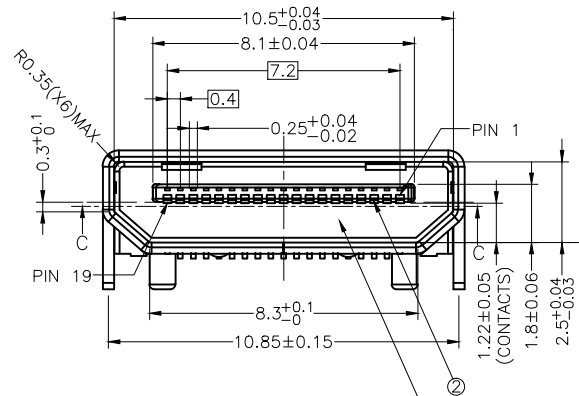
PROPRIETARY INFORMATION
COMPANY CONFIDENTIAL

REV.	ECN. NO.	DESCRIPTION	ENG	DATE
A		INITIAL	Lucky	04/19/2017"
B		Add item number options	Lucky	04/20/2017"



NOTE:

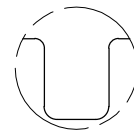
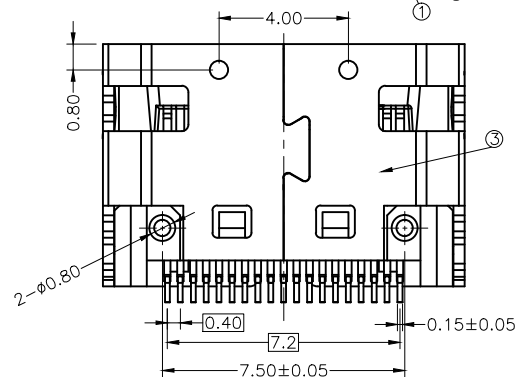
1. MECHANICAL:
 - 1.1 INSERTION FORCE: 4.5KG MAX
 - 1.2 WITHDRAW FORCE: 0.3KG MAX
2. ELECTRICAL:
 - 2.1 CONTACT CURRENT RATING: 0.5A MIN
 - 2.2 VOLTAGE RATING: 35V AC (RMS)
 - 2.3 DIELECTRIC WITHSTANDING VOLTAGE: 500 V AC FOR 1 MINUTE
 - 2.4 INSULATION RESISTANCE: 100 MEGAOHMS MIN
 - 2.5 CONTACT RESISTANCE: 30 MILLIOHMS MAX
3. ENVIRONMENTAL:
 - 3.1 OPERATING TEMPERATURE: -20°C~+80°C
 - 3.2 STORAGE TEMPERATURE: -40°C~+85°C



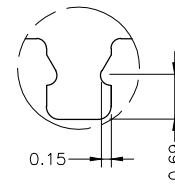
RECOMMENDED PCB LAYOUT

PART NUMBER:
130-10035-XX

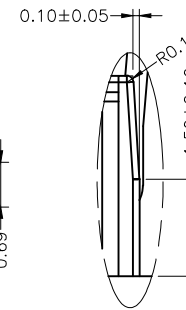
- 01: SEE TYPE A SHAPE
02: SEE TYPE B SHAPE



TYPE A
DETAIL F
SCALE 2:1



TYPE B
DETAIL F
SCALE 2:1



DETAIL E
SCALE 2:1

GENERAL TOLERANCE X, ±0.30 .X ±0.20 .XX ±0.15 .XXX ±0.10	ANGLE TOLERANCE ± 2'	DRAWN Lucky	DATE 04/19/2017"		TITLE HDMI RECEPTACLE, TYPE C PITCH 0.4 SMT TYPE CONNECTOR
MATL	FINISH	CHECKED	DATE		PART NUMBER 130-10035-XX
SCALE N/A	UNIT mm	APPROVED Lucky	DATE 04/19/2017"	DRAWING NO. 130-10035	SIZE A4 REV. B
SHEET 1 OF 1					

ITEM	NAME	Q'TY	DESCRIPTION	NOTE
3	SHELL	1	BRASS, NICKEL(30u" MIN.) UNDER PLATING OVERALL; GOLD FLASH PLATING OVERALL.	
2	TERMINAL	19	BRASS, NICKEL (30u" MIN.) UNDER PLATING OVERALL;GOLD FLASH PLATING ON SOLDER AREA;GOLD (15u" MIN.) ON CONTACT AREA.	
1	HOUSING	1	LCP; COLOR BLACK	UL94V-0