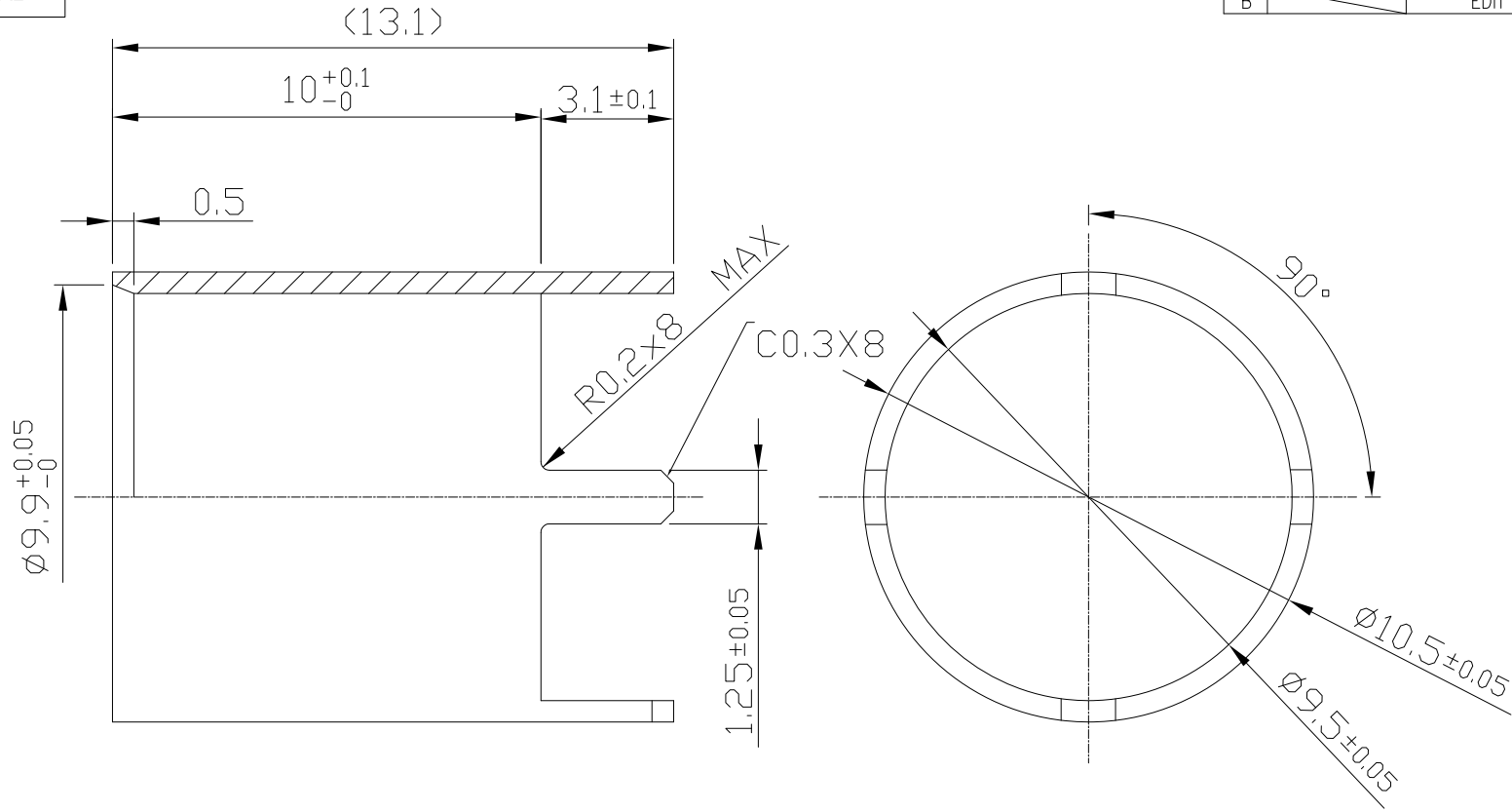


PROPRIETARY INFORMATION
COMPANY CONFIDENTIAL

REV.	ECN. NO.	DESCRIPTION	ENG	DATE
A		INITIAL	AXL	9/13/2007
B		EDIT NOTES	AXL	2/28/2017



NOTES:

1. ALL DIMENSIONS ARE AFTER FINISH.
2. PARTS ARE TO BE CLEAN AND FREE FROM ALL PROCESS AGENTS.
3. PARTS ARE TO BE BURR FREE.
4. MATERIAL: BRASS.
5. FINISH: BRIGHT TIN PLATING $2.54\mu\text{m} \sim 7.62\mu\text{m}$.
6. RoHS COMPLIANT.

GENERAL TOLERANCE X \pm .X ± 0.20 .XX ± 0.10 .XXX \pm	ANGLE TOLERANCE X $^\circ \pm$.X $^\circ \pm$.XX $^\circ \pm$.XXX $^\circ \pm$	DRAWN AXL	DATE 2/28/2017	
MATL SEE BOM	FINISH SEE NOTES	DESIGN	DATE	
SCALE N/A	UNIT mm	CHECKED	DATE	PART NUMBER. 189-10001-01
SHEET 1 OF 1		APPROVED	DATE	DRAWING NO. 189-10001
				SIZE A4 REV. B

ITEM	P/N	NAME	Q'TY	DESCRIPTION	NOTE
1					
2					
3					
4					
5					