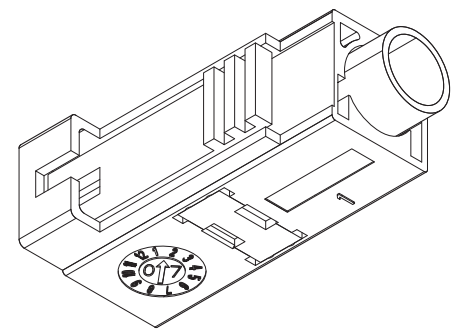
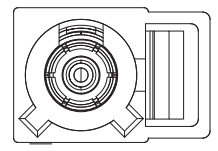
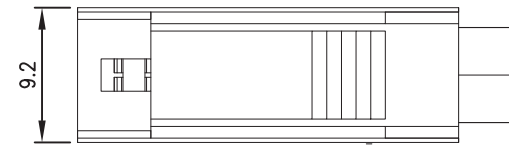
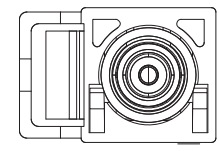
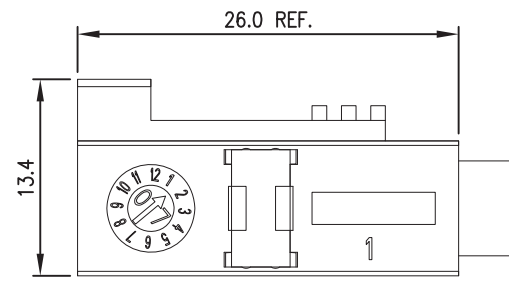


REV.	ECN. NO.	DESCRIPTION	ENG	DATE
A		INITIAL	AXL	2/18/2016



- NOTES:
1. IMPEDANCE: 50 ohm.
 2. VOLTAGE RATING: 500 V.
 3. FREQUENCY RANGE: DC-4.0 GHz.
 4. DIELECTRIC WITHSTANDING VOLTAGE: 750 V.
 5. CONTACT RESISTANCE: CENTER CONTACT: 40m ohms.
OUTER CONTACT: 40m ohms.
 6. INSULATION RESISTANCE: 1000M ohms min.
 7. VSWR: 1.4 MAX.
 8. RoHS COMPLIANT.

ORDER INFORMATION

P/N	KEY CODE	COLOR
192-10002-01	C	BLUE
192-10002-02	D	BORDEAUX VIOLET

ITEM	NAME	Q'TY	DESCRIPTION	FINISHED
5	SHELL	1	PA66	
4	FERRULE	1	BRASS	NICKEL 100u" OVER COPPER
3	INSULATOR	1	TEFLON	
2	CENTER PIN	1	BERYLLIUM COPPER	GOLD 15u" OVER COPPER
1	BODY	1	BRASS	NICKEL 100u" OVER COPPER

GENERAL TOLERANCE X.± .X±0.30 .XX±0.20 .XXX±	ANGLE TOLERANCE X°± .X°± .XX°± .XXX°±	DRAWN AXL	DATE 2/18/16'	
MATERIAL SEE BOM		CHECKED	DATE	
FINISH SEE NOTES		PART NUMBER. 192-10002-XX		DRAWING NO. 192-10002
SCALE N/A	UNIT mm	APPROVED	DATE	
SHEET 1 OF 1		REV. A		