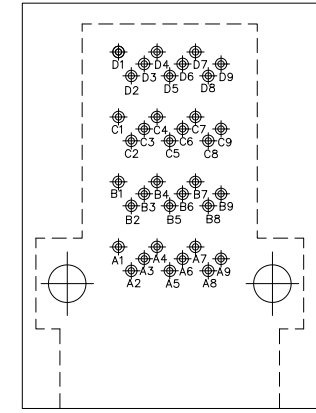
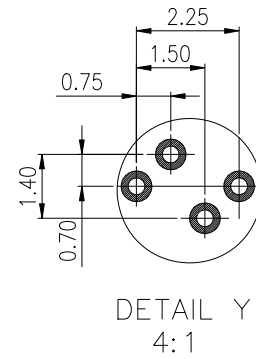
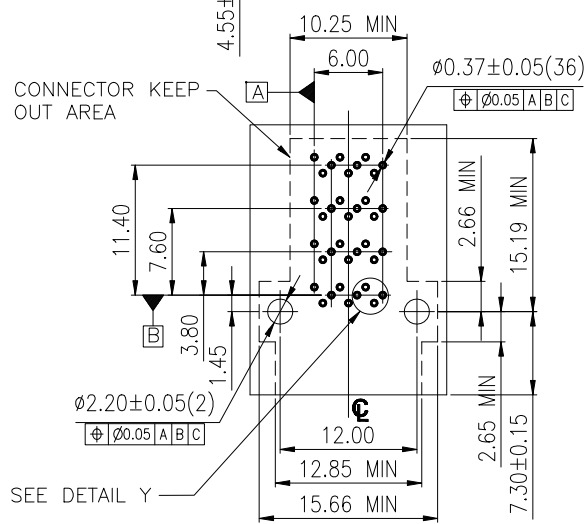
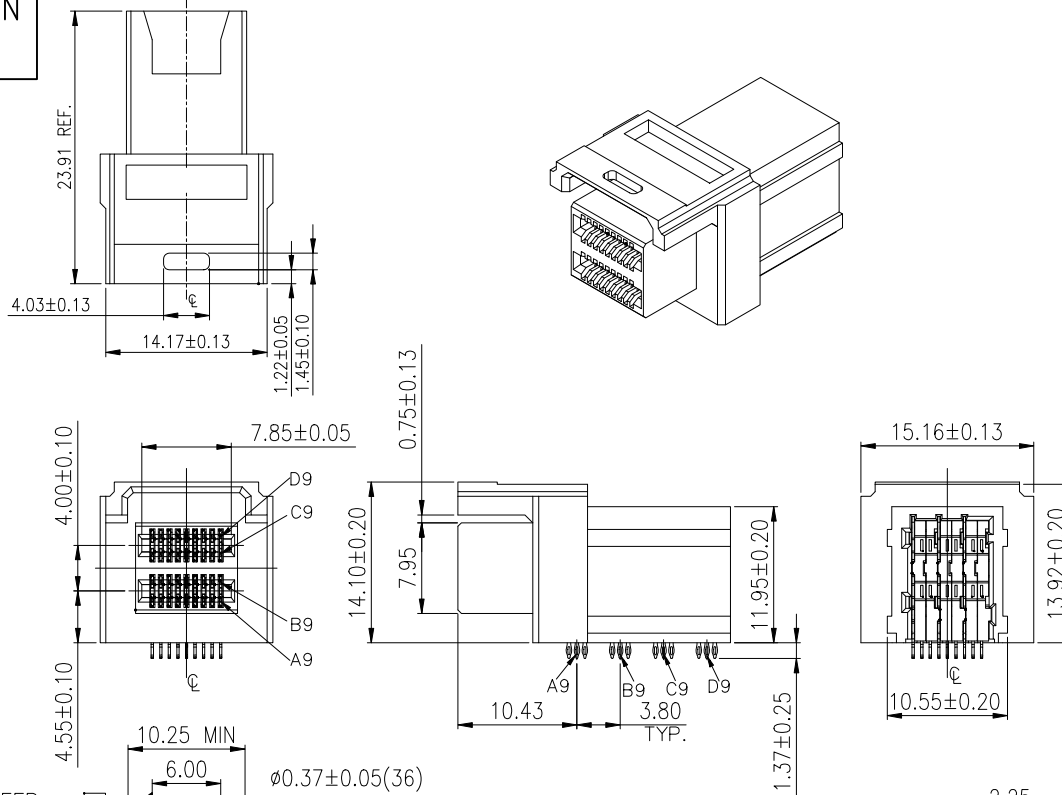


PROPRIETARY INFORMATION
COMPANY CONFIDENTIAL

REV.	ECN. NO.	DESCRIPTION	ENG	DATE
A		INITIAL	Sun	3/18/2016



Recommended P.C.B Layout (Component Side)
SCALE(1.5 : 1)

Recommended P.C.B Layout (Component Side)
P.C.B Thickness 1.57 mm; Tolerance±0.05

2	TERMINAL	36	PHOSPHOR COPPER,GOLD 30u" ON CONTACT AREA,MATTE TIN 100u" ON SOLDER AREA,60u" NICKEL UNDER PLATING OVERALL
1	HOUSING	1	LCP,COLOR BLACK
ITEM	NAME	Q'TY	DESCRIPTION

UL94-V0
NOTE

GENERAL TOLERANCE	ANGLE TOLERANCE	DRAWN	DATE
X.±0.50	X'± 5.0°	Sun	3/18/16'
.X±0.38	.X'± 3.0°	CHECKED	DATE
.XX±0.25	.XX'± 2.0°		
.XXX±0.15		APPROVED	DATE
MATL SEE BOM		River	3/18/16'
FINISH SEE NOTES			
SCALE N/A	UNIT mm		
SHEET 1 OF 1			

TITLE	
MINI SAS HD (PCB)	
PART NUMBER	
230-10007-01	
DRAWING NO.	
230-10007	

TITLE	
MINI SAS HD (PCB)	
PART NUMBER	
230-10007-01	
DRAWING NO.	
230-10007	
SIZE	A4
REV.	A