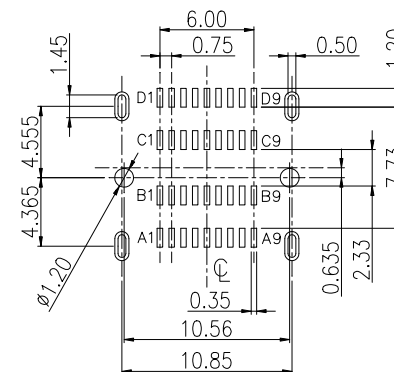
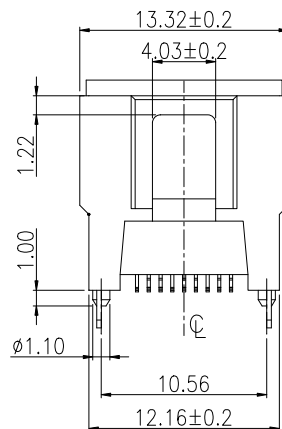
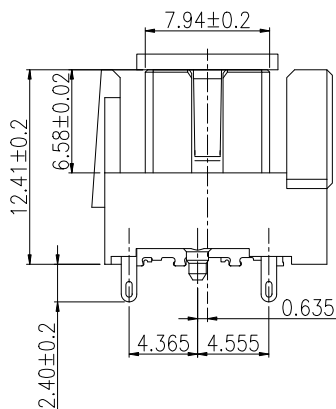
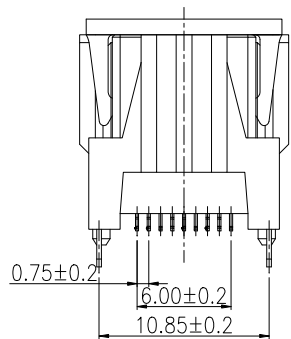
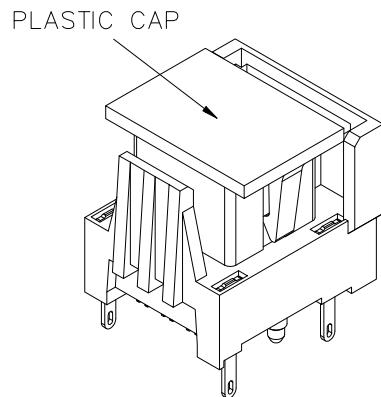
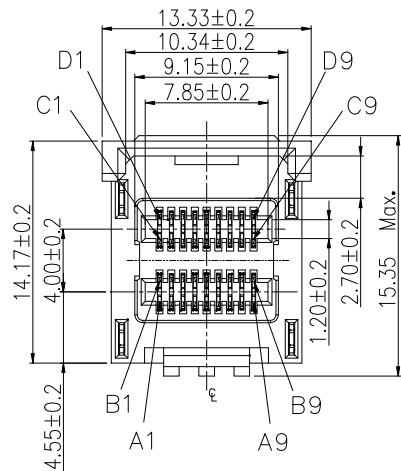


PROPRIETARY INFORMATION  
COMPANY CONFIDENTIAL

REV.	ECN. NO.	DESCRIPTION	ENG	DATE
A		INITIAL	Sun	3/18/2016



Recommended P.C.B Layout (Component Side)

PCB THICKNESS 1.6mm, Tolerance ±0.05

3	BOARD LOCK	4	SPCC, MATTE TIN 100u" PLATING OVERALL
2	TERMINAL	36	PHOSPHOR COPPER, GOLD 30u" ON CONTACT AREA, MATTE TIN 100u" ON SOLDER AREA, 60u" NICKEL UNDER PLATING OVERALL
1	HOUSING	1	LCP, COLOR BLACK
ITEM	NAME	Q'TY	DESCRIPTION

UL94-V0  
NOTE

GENERAL TOLERANCE	ANGLE TOLERANCE	DRAWN	DATE
X.±0.50	X'± 5.0°	Sun	3/18/16'
.X±0.38	X'± 3.0°	CHECKED	DATE
.XX±0.25	X'± 2.0°	APPROVED	DATE
.XXX±0.15		River	3/18/16'
MATL	SEE BOM		
FINISH	SEE NOTES		
SCALE	N/A		
SHEET	1 OF 1		

TITLE: MINI SAS HD (PCB), FEMALE DIP TYPE.	
PART NUMBER: 230-10008-01	
DRAWING NO. 230-10008	
SIZE	A4
REV.	A