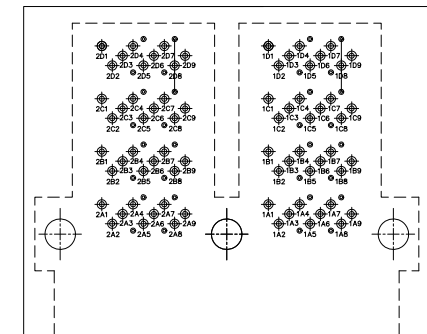
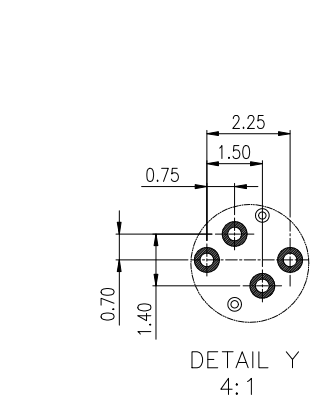
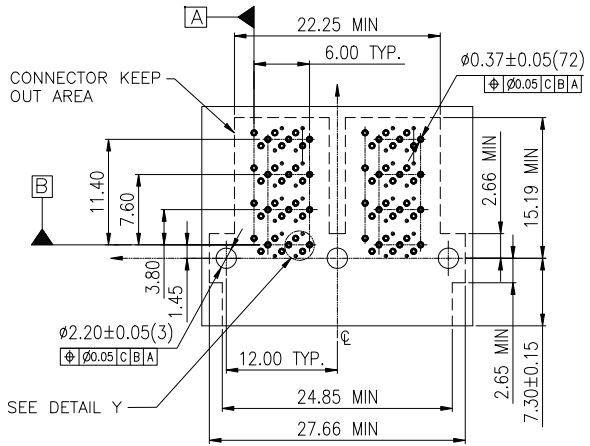
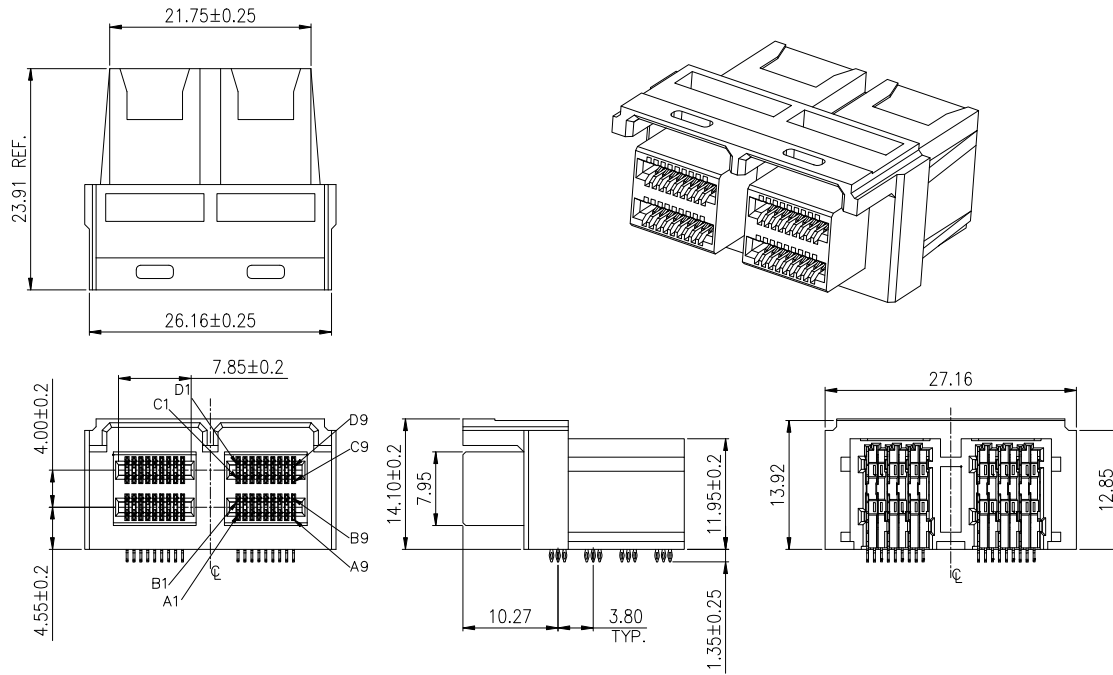


PROPRIETARY INFORMATION
COMPANY CONFIDENTIAL

REV.	ECN. NO.	DESCRIPTION	ENG	DATE
A		INITIAL	Sun	3/18/2016



Recommended P.C.B Layout (Component Side)
SCALE(1.5 :1)

Recommended P.C.B Layout (Component Side)
P.C.B Thickness 1.60 mm; Tolerance±0.05

2	TERMINAL	72	PHOSPHOR COPPER,GOLD 30u" ON CONTACT AREA,MATTE TIN 100u" ON SOLDER AREA,60u" NICKEL UNDER PLATING OVERALL
1	HOUSING	1	LCP,COLOR BLACK
ITEM	NAME	Q'TY	DESCRIPTION

UL94-V0
NOTE

GENERAL TOLERANCE	ANGLE TOLERANCE	DRAWN	DATE
X.±0.50	X'± 5.0°	Sun	3/18/16'
.X±0.38	.X'± 3.0°	CHECKED	DATE
.XX±0.25	.XX'± 2.0°	APPROVED	DATE
.XXX±0.15		River	3/18/16'
MATL	SEE BOM		
FINISH	SEE NOTES		
SCALE	N/A		
SHEET	1 OF 1		

TITLE	MINI SAS HD (PCB), DIP TYPE.
PART NUMBER	230-10011-01
DRAWING NO.	230-10011

GENESIS TECHNOLOGY, INC.	SIZE A4
REV. A	