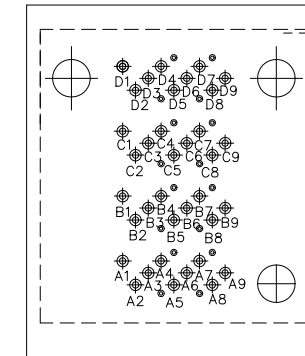
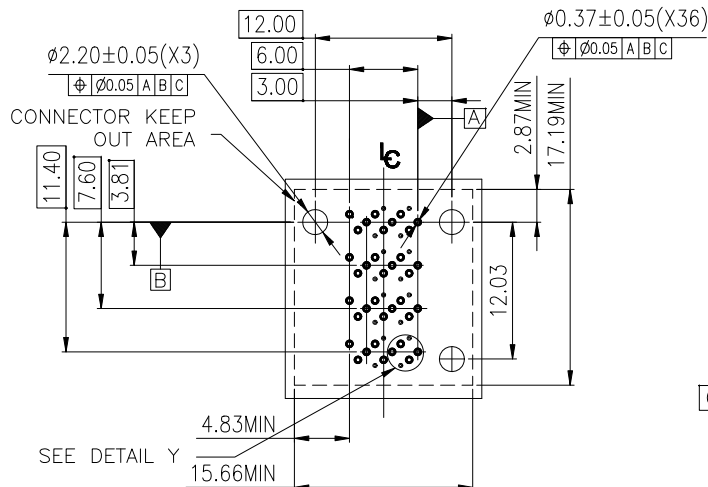
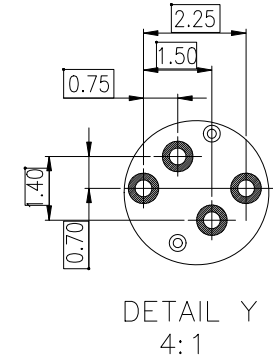
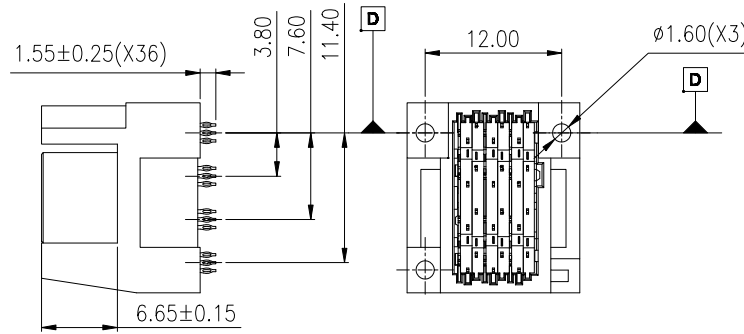
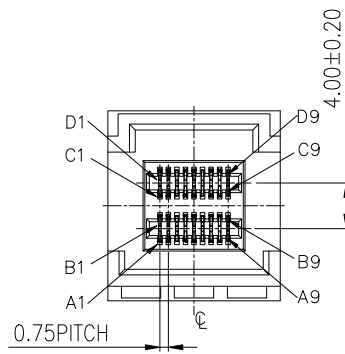
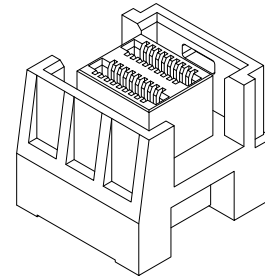
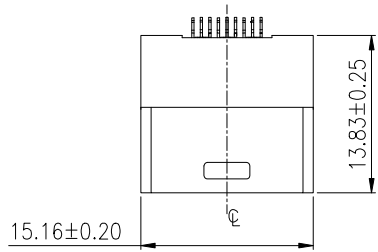


PROPRIETARY INFORMATION  
COMPANY CONFIDENTIAL

REV.	ECN. NO.	DESCRIPTION	ENG	DATE
A		INITIAL	Sun	3/18/2016



Recommended P.C.B Layout (Component Side)  
SCALE(1.5 :1)

P.C.B Thickness 1.57 mm; Tolerance±0.05  
Recommended P.C.B Layout (Component Side)

GENERAL TOLERANCE X.±0.50 .X±0.38 .XX±0.25 .XXX±0.15	ANGLE TOLERANCE X°± 5.0° .X°± 3.0° .XX°± 2.0°	DRAWN Sun 3/18/16'	DATE	 TITLE. MINI SAS HD (PCB),FEMALE DIP TYPE.	
MATL SEE BOM	FINISH SEE NOTES	CHECKED	DATE		PART NUMBER. 230-10012-01
SCALE N/A	UNIT mm	APPROVED River 3/18/16'	DATE	DRAWING NO. 230-10012	SIZE A4 REV. A
SHEET 1 OF 1					

2	TERMINAL	36	PHOSPHOR COPPER,GOLD 30u" ON CONTACT AREA,MATTE TIN 100u" ON SOLDER AREA,60u" NICKEL UNDER PLATING OVERALL
1	HOUSING	1	LCP,COLOR BLACK
ITEM	NAME	Q'TY	DESCRIPTION

UL94-V0  
NOTE