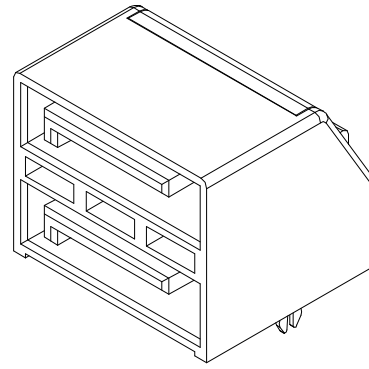
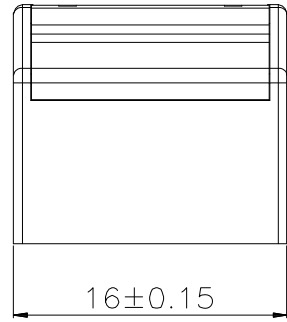


PROPRIETARY INFORMATION
COMPANY CONFIDENTIAL

REV.	ECN. NO.	DESCRIPTION	ENG	DATE
X1		INITIAL	AXL	12/8/15'



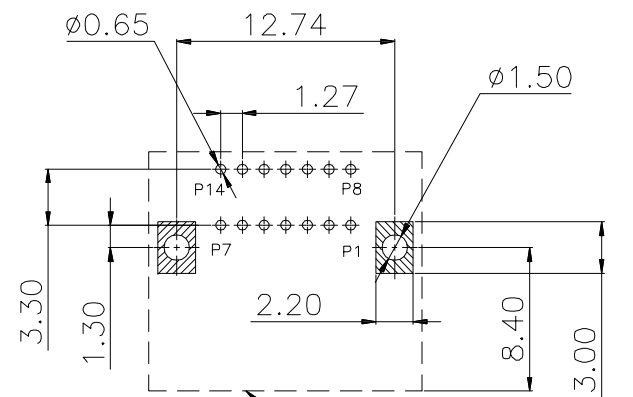
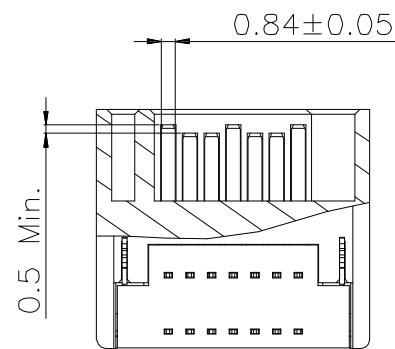
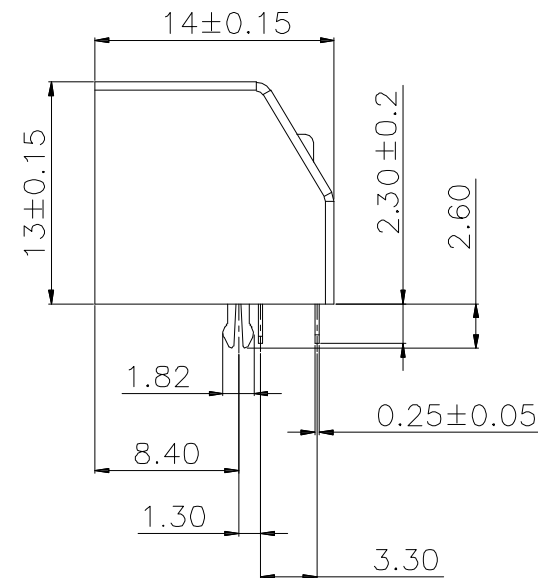
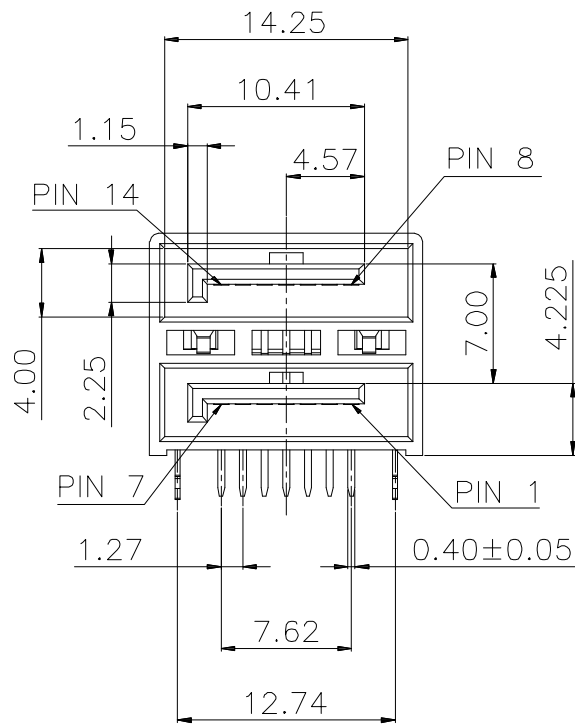
NOTES:

1. MATERIAL AND PLATING:

Housing: LCP,UL94V-0,Black

Contact: Brass, Gold Flash on Contact area and 50u" Nickel Underplating over all

Board Lock: Brass, Tin 100u" over Nickel 50u" overall.



CONTACT OUTLINE

RECOMMENDED PCB LAYOUT
TOLERANCE: ±0.05, THICKNESS: 1.6mm
(TOP VIEW)

GENERAL TOLERANCE X.± 0.25 .X± 0.20 .XX± 0.15 .XXX± 0.05	ANGLE TOLERANCE X°± 5.0° .X°± 2.0° .XX°± 1.0° .XXX°± 0.5°	DRAWN AXL	DATE 12/08/15'	 TITLE: SATA 7PIN, FEMALE, R/A ,DUAL STACKED, NO SHIELD, DIP
MATL SEE BOM	FINISH SEE NOTES	CHECKED	DATE	
SCALE N/A	UNIT mm	APPROVED	DATE	DRAWING NO. 240-10007
SHEET 1 OF 1				SIZE A4 REV. X1