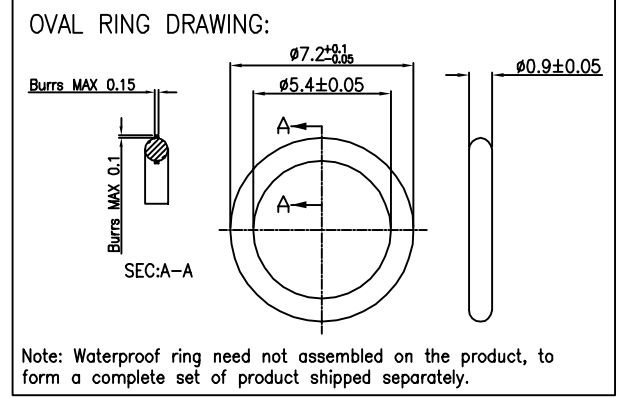
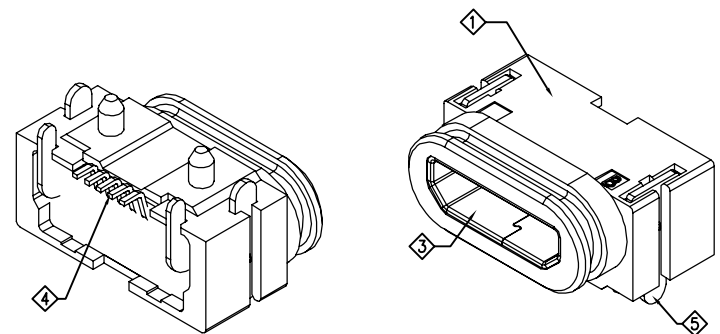
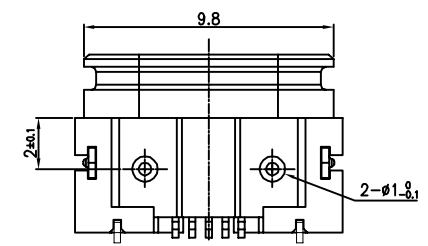
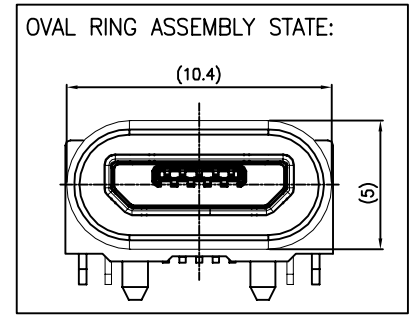
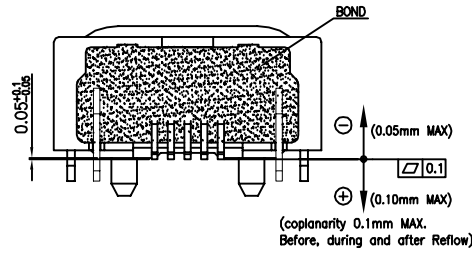
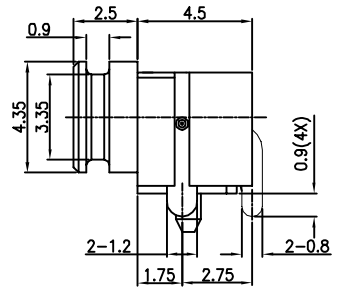
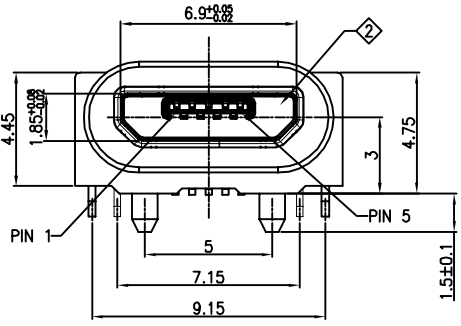
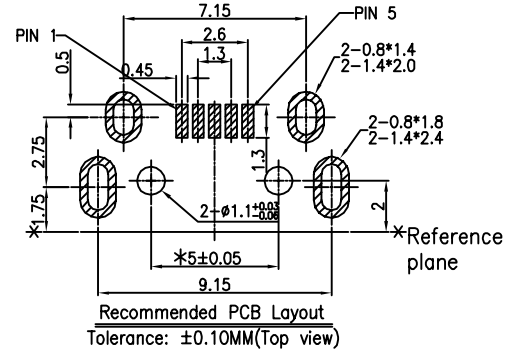
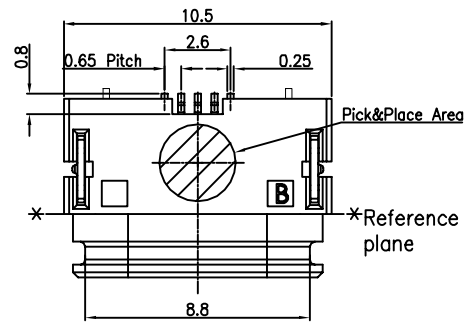


PROPRIETARY INFORMATION  
COMPANY CONFIDENTIAL

REV.	ECN. NO.	DESCRIPTION	ENG	DATE
A		INITIAL	Hunter	03/08/17



- SPECIFICATIONS:
- ELECTRICAL CHARACTERISTICS:
    - RATING: 1.8A (PIN1/5), 0.5A (PIN2/3/4)
    - CONTACT RESISTANCE: 30mΩ MAX.(INITIAL)
    - DIELECTRIC WITHSTANDING VOLTAGE: 300V AC FOR ONE MINUTE.
    - INSULATION RESISTANCE: 100MΩ MIN. MEASURED BY 500 VDC
  - MECHANICAL CHARACTERISTICS:
    - INSERTION FORCE : 3.6 KGF (MAX)
    - WITHDRAWAL FORCE : 0.8 KGF(Reference)
  - DURABILITY: 10,000 CYCLES .
  - WATER PROOFNESS:THIS PRODUCT IS BASED ON IPX7(1m,30min)
  - PLUG INTERFACE DIMENSIONS COMFORM TO USB2.0 SPEC.
  - OVAL RING
    - The amount of low molecular siloxanes(D3~D10)is less than 200ppm
    - Hardness of silicone rubber:70°
    - Horizontal flash 0.1mm;Longitudinal flash 0.10mm
  - BODY WITH O-RING'S SEAL AREA BURRS IS 0.05mm Max.
  - FOR REFLOW SOLDERING LEAD-FREE PROCESS.
  - PACKAGING: TAPE & REEL.



5	TERMINAL	2	SPCC, Cu(80u"MIN)UNDER PLATING OVERALL; MATTE TIN(80u"MIN.)PLATING OVERALL	GENERAL TOLERANCE	ANGLE TOLERANCE	DRAWN	DATE	
4	CONTACT	5	BRASS, NICKEL(50u" MIN.) UNDER PLATING OVERALL; MATTE TIN(50u" MIN.) PLATING ON SOLDER AREA ;GOLD FLASH PLATING ON CONTACT AREA	.X ±0.30	2.5	Hunter	03/08/17	
3	SHELL	1	STAINLESS STEEL, NICKEL (50u"MIN.) PLATING OVERALL	MATL SEE BOM		CHECKED	DATE	PART NUMBER: 260-10015-01
2	INSERT MOLDING	1	LCP, BLACK	FINISH SEE NOTES		APPROVED	DATE	DRAWING NO. 260-10015
1	HOUSING	1	PA9T, BLACK	UL94V-0	SCALE N/A	UNIT mm	03/08/17	SIZE A4 REV. A
ITEM	NAME	Q'TY	DESCRIPTION	NOTE	SHEET 1 OF 1			