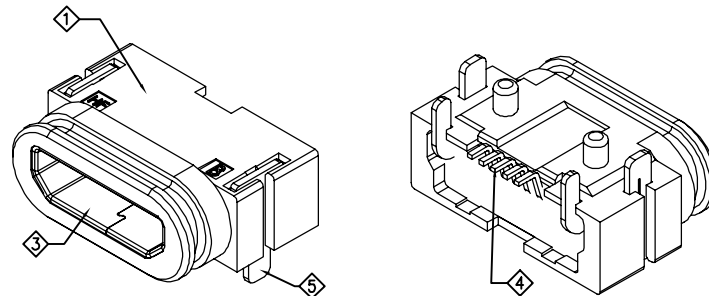
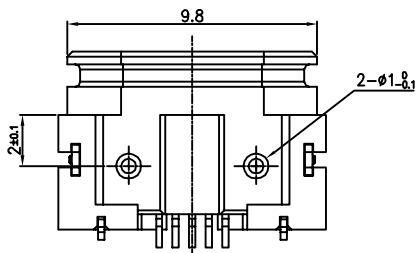
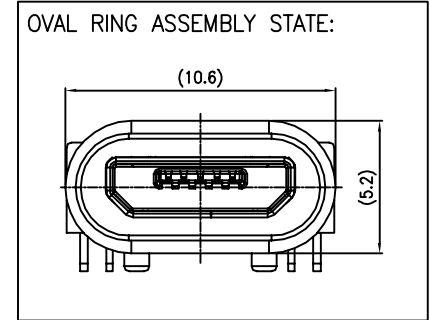
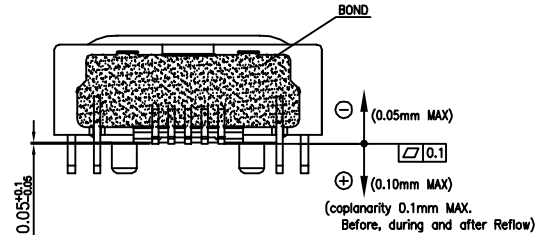
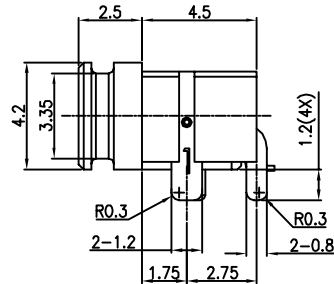
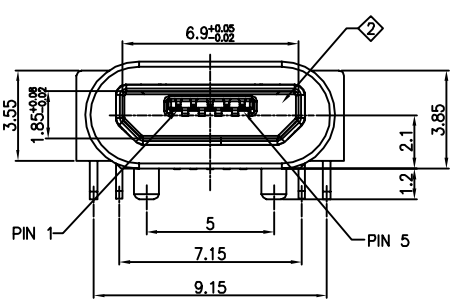
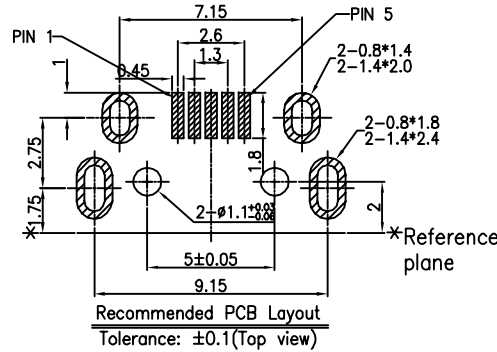
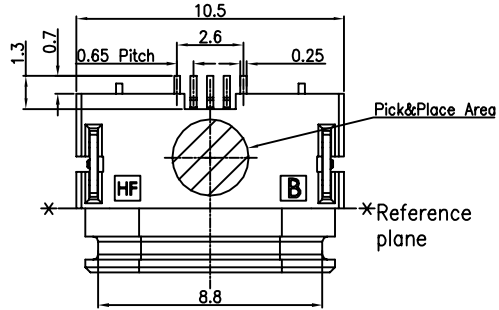


PROPRIETARY INFORMATION
COMPANY CONFIDENTIAL

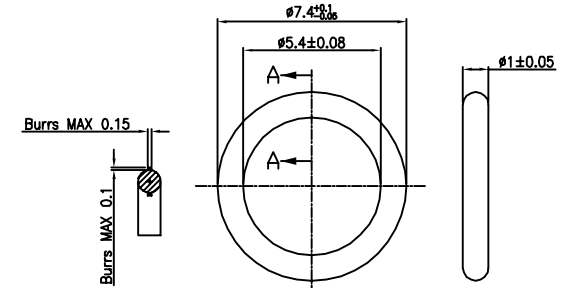
REV.	ECN. NO.	DESCRIPTION	ENG	DATE
A		INITIAL	Hunter	03/08/17

SPECIFICATIONS:

- ELECTRICAL CHARACTERISTICS:
 - RATING: 1.8A (PIN1/5), 0.5A (PIN2/3/4)
 - CONTACT RESISTANCE: 30mΩ MAX.(INITIAL)
 - DIELECTRIC WITHSTANDING VOLTAGE: 300V AC FOR ONE MINUTE.
 - INSULATION RESISTANCE: 100M Ω MIN. MEASURED BY 500 VDC
- MECHANICAL CHARACTERISTICS:
 - INSERTION FORCE : 3.6 KGF (MAX)
 - WITHDRAWAL FORCE : 0.8 KGF(Reference)
- DURABILITY: 10,000 CYCLES .
- WATER PROOFNESS:THIS PRODUCT IS BASED ON IPX7(1m,30min)
- PLUG INTERFACE DIMENSIONS COMFORM TO USB2.0 SPEC.
- OVAL RING
 - The amount of low molecular siloxanes(D3~D10)is less than 200ppm
 - Hardness of silicone rubber:70°
- FOR REFLOW SOLDERING LEAD-FREE PROCESS.
- PACKAGING: TAPE & REEL.



OVAL RING DRAWING:



Note:Waterproof ring need not assembled on the product, to form a complete set of product shipped separately.

ITEM	NAME	Q'TY	DESCRIPTION	NOTE	GENERAL TOLERANCE	ANGLE TOLERANCE	DRAWN	DATE	<p>TITLE: WATERPROOF Mirco USB H3.85mm</p> <p>PART NUMBER: 260-10016-01</p> <p>DRAWING NO. 260-10016</p> <p>SIZE A4 REV. A</p>
5	TERMINAL	2	SPCC, Cu(80u"MIN)UNDER PLATING OVERALL; MATTE TIN(80u"MIN.)PLATING OVERALL		.X ±0.30	2.5	Hunter	03/08/17	
4	CONTACT	5	BRASS, NICKEL(50u" MIN.) UNDER PLATING OVERALL; MATTE TIN(50u" MIN.) PLATING ON SOLDER AREA ;GOLD FLASH PLATING ON CONTACT AREA		MATL SEE BOM		CHECKED	DATE	
3	SHELL	1	STAINLESS STEEL, NICKEL (50u"MIN.) PLATING OVERALL		FINISH SEE NOTES		Lucky	03/08/17	
2	INSERT MOLDING	1	LCP, BLACK	UL94V-0	SCALE N/A	UNIT mm	APPROVED	DATE	
1	HOUSING	1	PA9T, BLACK	UL94V-0	SHEET 1 OF 1		Lucky	03/08/17	