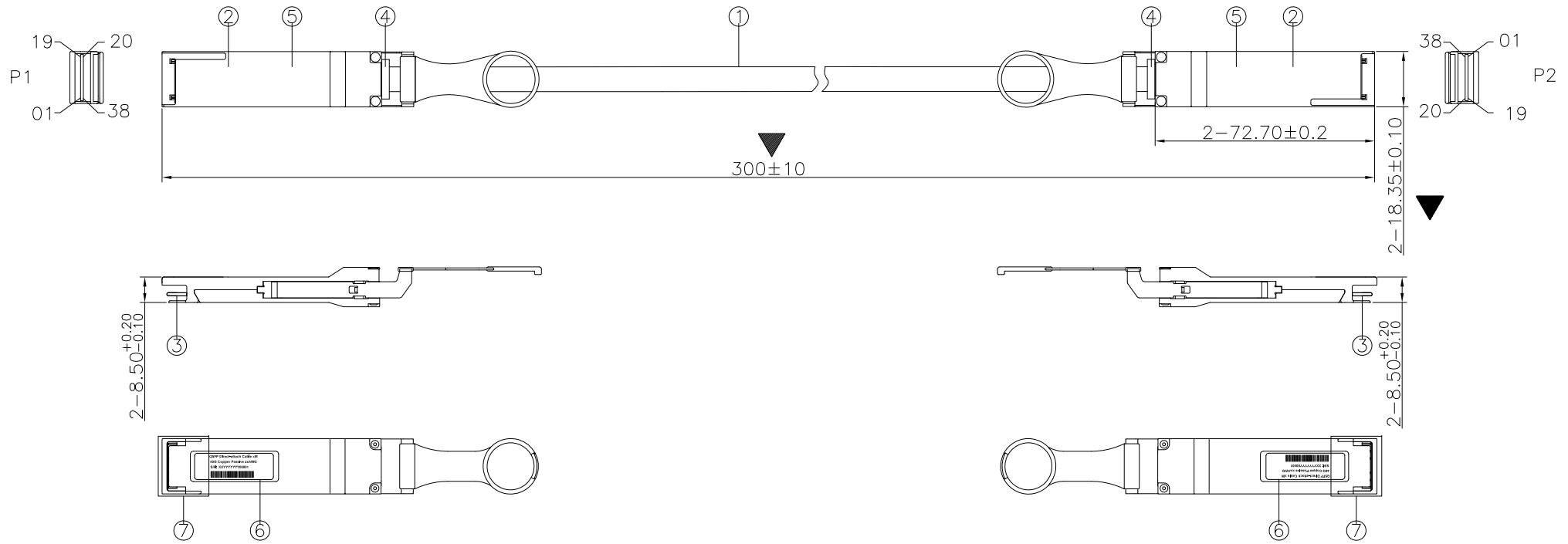


PROPRIETARY INFORMATION
COMPANY CONFIDENTIAL

REV.	ECN. NO.	DESCRIPTION	ENG	DATE
X1		INITIAL	HSIO	21/7/2016



7	P-QSPPE-0001	2	DUST COVER QSFP
6	L-05-S-0003	2	SHELL BARCODE LABELS
5	P-QSPST-0004-BG	2	INNER MOLDING FOR QSFP
4	P-QSPPV-0004	2	CABLE SR FOR QSFP,PVC, BLACK
3	A-QS13030-010	2	QSFP PCB
2	SQS130-1	2	QSFP CONNECTOR
1	CAB-QS1-B-30PC CAB-QS1-L-30FR-01	R/A	8P*30AWG, LEONI LSZH&BELDEN PVC
ITEM	NAME	Q'TY	DESCRIPTION

GENERAL TOLERANCE	ANGLE TOLERANCE	DRAWN	DATE
X.± 0.50	X°± 5.0°	HSIO	
.X± 0.20	.X°± 3.0°	CHECKED	DATE
.XX± 0.10	.XX°± 2.0°	APPROVED	DATE
.XXX± 0.05	.XXX°± 1.0°		
MATL	SEE BOM		
FINISH	SEE NOTES		
SCALE N/A	UNIT mm		
SHEET 1 OF 2			

		TITLE. QSFP COPPER DAC ASS'Y 40G DATA RATE, PASSIVE
		PART NUMBER. 300-10100-01
DRAWING NO. 300-10100		SIZE:A4 REV. X1

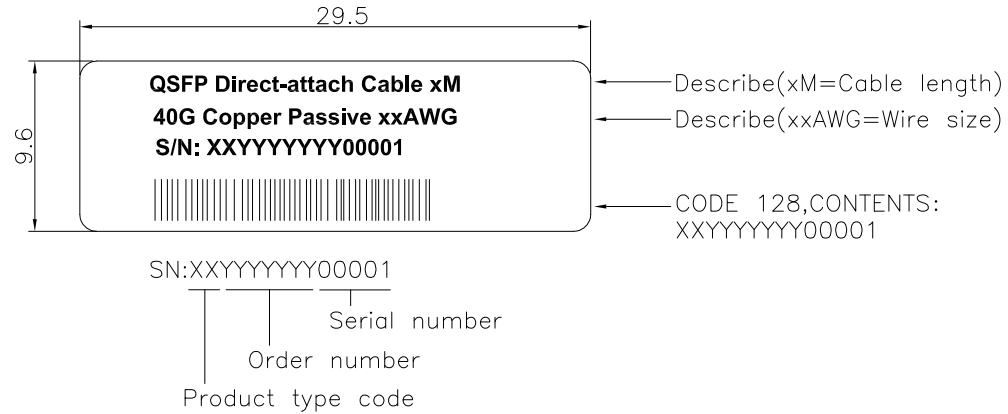
A
B
C
D
E

A
B
C
D
E

WIRING TABLE

LABEL INFORMATION

P1		P2	
GND(TX)	01	20	GND(RX)
TX2n	02	21	RX2n
TX2p	03	22	RX2p
GND(TX)	04	23	GND(RX)
TX4n	05	24	RX4n
TX4p	06	25	RX4p
GND(TX)	07	26	GND(RX)
GND(RX)	13	32	GND(TX)
RX3p	14	33	TX3p
RX3n	15	34	TX3n
GND(RX)	16	35	GND(TX)
RX1p	17	36	TX1p
RX1n	18	37	TX1n
GND(RX)	19	38	GND(TX)
GND(RX)	20	01	GND(TX)
RX2n	21	02	TX2n
RX2p	22	03	TX2p
GND(RX)	23	04	GND(TX)
RX4n	24	05	TX4n
RX4p	25	06	TX4p
GND(RX)	26	07	GND(TX)
GND(TX)	32	13	GND(RX)
TX3p	33	14	RX3p
TX3n	34	15	RX3n
GND(TX)	35	16	GND(RX)
TX1p	36	17	RX1p
TX1n	37	18	RX1n
GND(TX)	38	19	GND(RX)



LOW SPEED SIGNALS	
P1 & P2	
08	ModSell
09	ResetI
10	VccRx
11	SCL
12	SDA
27	ModPrsL
28	IntL
29	VccTx
30	Vcc1
31	LPMoDe

- NOTES:
- MATERIALS:
BACK SHELLS - NICKEL PLATED ZINC(EDM)
PULL LATCH - NYLON.(COLOR YELLOW)
RIVETS - ALUMINUM ALLOY.
 - IMPEDANCE:
CANBLE:100±5 OHMS DIFFERENTIAL,
CONNECTOR:100±10 OHMS DIFFERENTIAL.
DIMENSION MARKED ▼ SHOULD CHECK BY QC.

RoHS Compliant

GENERAL TOLERANCE	ANGLE TOLERANCE	DRAWN	DATE	
X.± 0.50 .X± 0.20 .XX± 0.10 .XXX± 0.05	X.± 5.0° .X.± 3.0° .XX.± 2.0° .XXX.± 1.0°	HSIO		
MATL SEE BOM		CHECKED	DATE	TITLE. QSF COPPER DAC ASS'Y 40G DATA RATE, PASSIVE
FINISH SEE NOTES		APPROVED	DATE	PART NUMBER. 300-10100-01
SCALE N/A	UNIT mm			DRAWING NO. 300-10100
SHEET 2 OF 2				SIZE:A4 REV. X1