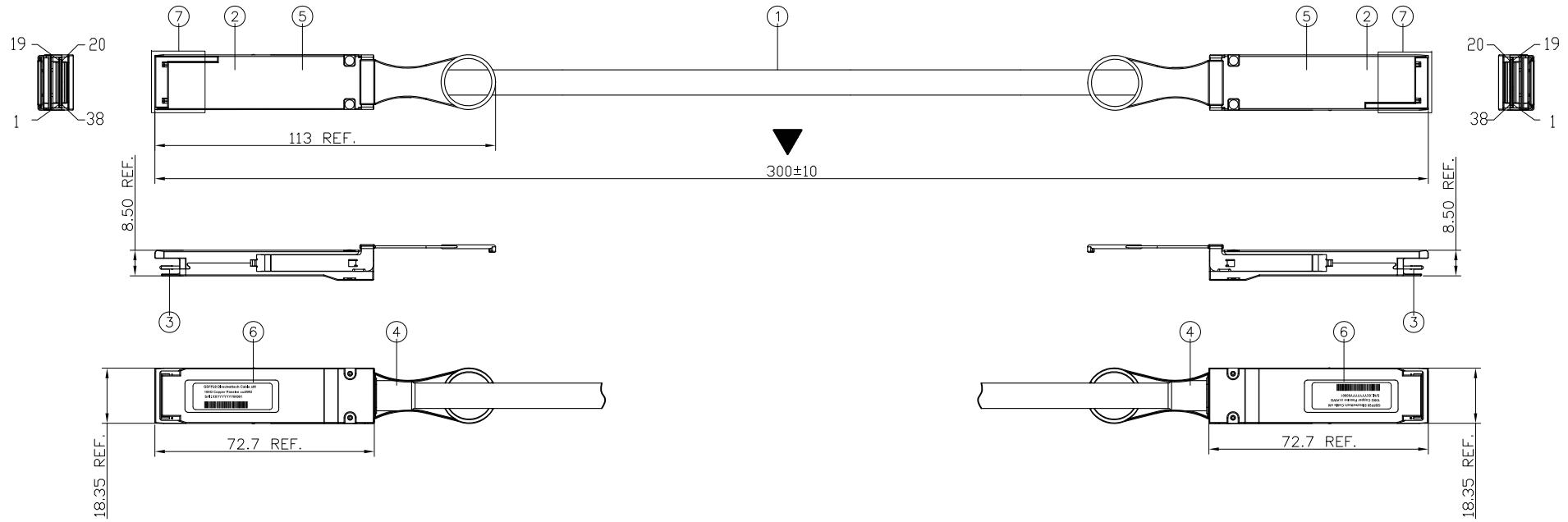


PROPRIETARY INFORMATION
COMPANY CONFIDENTIAL

REV.	ECN. NO.	DESCRIPTION	ENG	DATE
X1		INITIAL	HSIO	21/7/2016

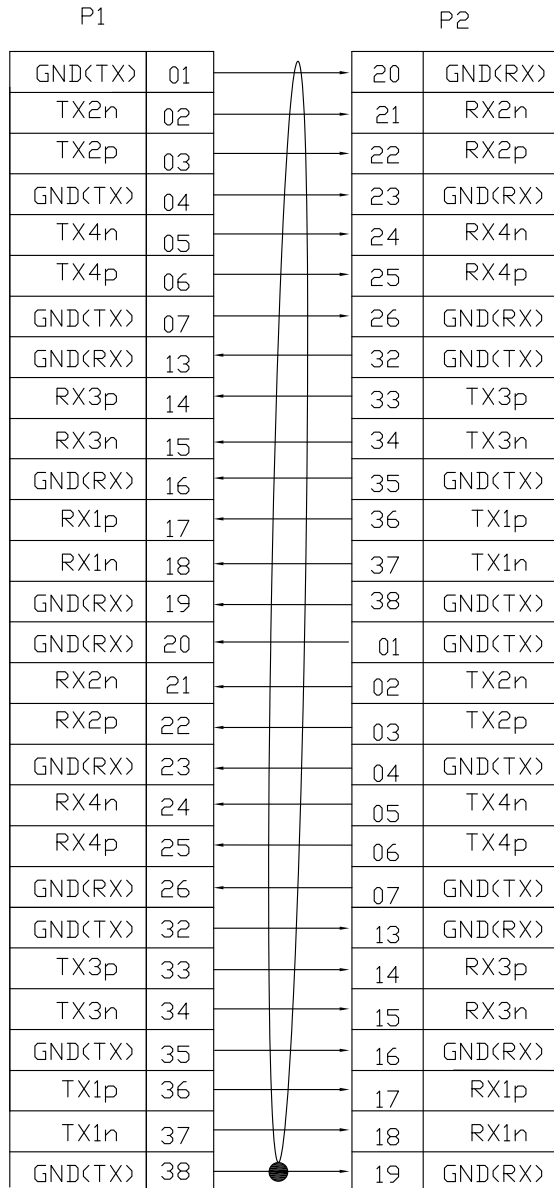


7	P-QSPPE-0001	2	DUST COVER FOR QSFP28, PE, NATUAL	
6	L-05-S-0003	2	SHELL BARCODE LABELS	
5	P-ZQPST-0006-BG	2	INNER MOLDING FOR QSFP28	
4	RSG-9.5-J	2	HEAT SHRINKABLE TUBE	
3	A-ZQP3030-010	2	QSFP28 PCB	
2	SZQP26-1	2	QSFP28 CONNECTOR (SHELL,PULL TAB,RIVET,SPRING,BAREL,FERRULE SLEEVE)	
1	L45468-J41X-C775	R/A	8P*30AWG CABLE, PVC	
ITEM	NAME	Q'TY	DESCRIPTION	NOTE

GENERAL TOLERANCE X.± 0.50 .X± 0.20 .XX± 0.10 .XXX± 0.05		ANGLE TOLERANCE X°± 5.0° .X°± 3.0° .XX°± 2.0° .XXX°± 1.0°		DRAWN HSIO	DATE 2016.07.21		TITLE. QSFP28 COPPER DAC ASS'Y 100G DATA RATE, PASSIVE
MATL SEE BOM		FINISH SEE NOTES		CHECKED 	DATE 		PART NUMBER. 300-10101-01
SCALE N/A	UNIT mm	APPROVED 	DATE 	DRAWING NO. 300-10101	SIZE A4 REV. X1		

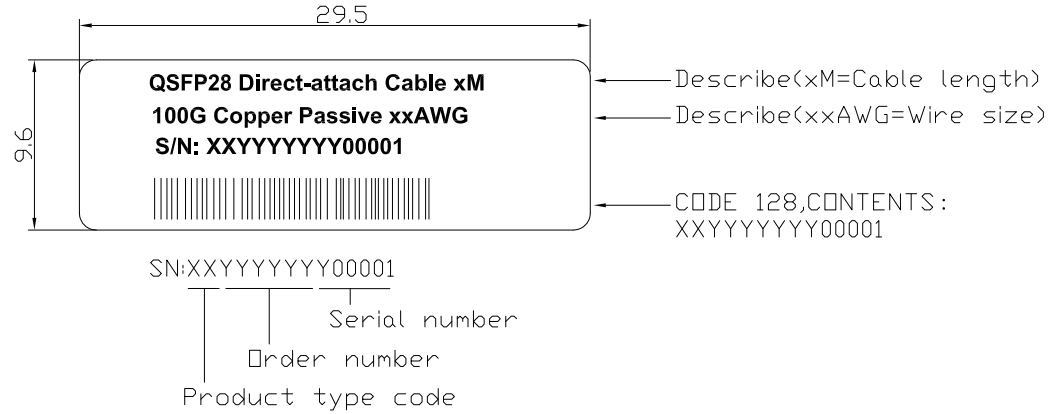
RoHS Compliant

WIRING TABLE



LOW SPEED SIGNALS	
P1 & P2	
08	ModSell
09	ResetI
10	VccRx
11	SCL
12	SDA
27	ModPrsL
28	IntL
29	VccTx
30	Vcc1
31	LPMode

LABEL INFORMATION



NOTES:

- MATERIALS:
BACK SHELLS -NICKEL PLATED ZINC(EDM)
PULL LATCH - NYLON.
RIVETS - ALUMINUM ALLOY.
- IMPEDANCE:
CABLE:100±5 OHMS DIFFERENTIAL,
CONNECTOR:100±10 OHMS DIFFERENTIAL.
DIMENSION MARKED ▼ SHOULD CHECK BY QC.
- THIS PRODUCT USED EDR STANDARD EEPROM DATA

RoHS Compliant

GENERAL TOLERANCE X.± 0.50 .X± 0.20 .XX± 0.10 .XXX± 0.05	ANGLE TOLERANCE X°± 5.0° .X°± 3.0° .XX°± 2.0° .XXX°± 1.0°	DRAWN HSIO	DATE 2016.07.21	
MATL SEE BOM	FINISH SEE NOTES	CHECKED	DATE	
SCALE N/A	UNIT mm	APPROVED	DATE	PART NUMBER. 300-10101-01
SHEET 2 OF 2				DRAWING NO. 300-10101
				SIZE A4 REV. X1