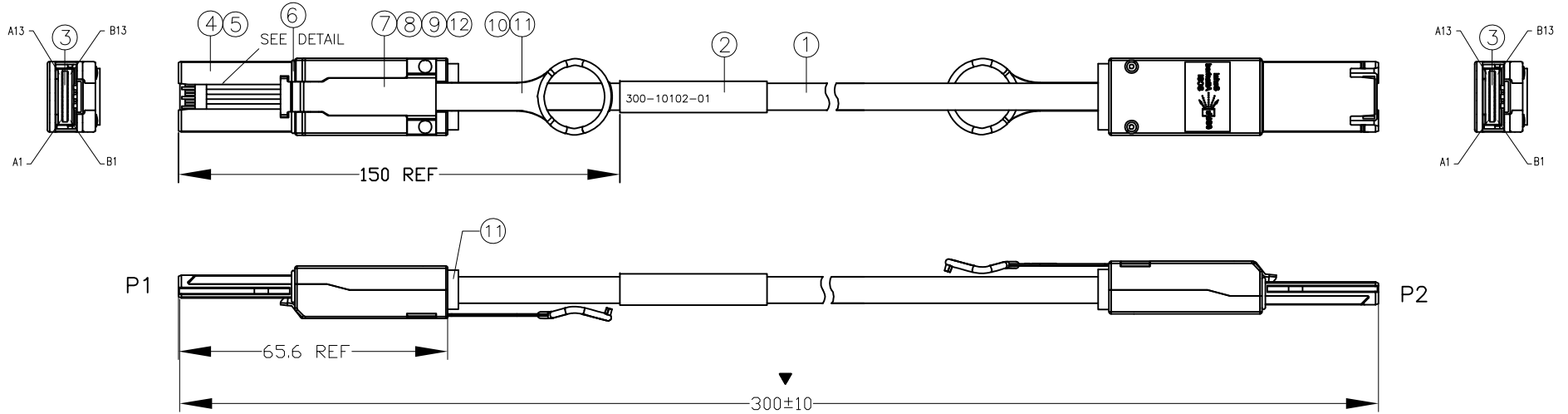
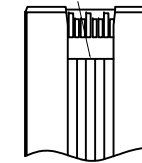


PROPRIETARY INFORMATION
COMPANY CONFIDENTIAL

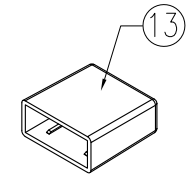
REV. X1	ECN. NO.	DESCRIPTION	ENG	DATE
		INITIAL	HSIO	21/7/2016



2,4,6 UNIVERSAL KEY



SEE DETAIL



13	P-MSEPE-0002	2	DUST COVER FOR SFF-8088, PE, NATUAL	
12	P-MSEST-0001	2	INNER MOLDING, HOT MELT GLUE 6208	
11	P-MSEPV-0003	2	CABLE SR FOR SFF-8088,PVC, BLACK.	
10	P-MSENY-0005	2	PULL TAB FOR SFF-8088, PA66, BLACK	
9	M-MSESL0T-01	2	LATCH FOR SFF-8088, STEEL S301.	
8	M-MSESLPA-01	4	SCREW FOR SFF-8088, S301.	
7	M-MSEAL0T-01	4	REVIT FOR SFF-8088, $\phi 1.5 \times 3.9$ MM, ALUMINUM.	
6	M-MSEEF0T-01	2	GASKET FOR SFF-8088, SHIELD FOAM,	
5	M-MSEZANI-02	2	BACK SHELL FOR SFF-8088(Key: #2.4.6),	
4	M-MSEZANI-01	2	BOTTOM SHELL FOR SFF-8088, ZANI	
3	P-MSE2830-01B	2	PCB FOR SFF-8088, 28~30AWG, PLATING AU 30U".	
2	L-01-C-0001	1	ID LABEL, 40*30MM, WRAPPING AROUND	
1	CAB-QS1-X-30PC	R/A	CABLE 8P*30AWG CABLE, PVC	
ITEM	NAME	Q'TY	DESCRIPTION	NOTE

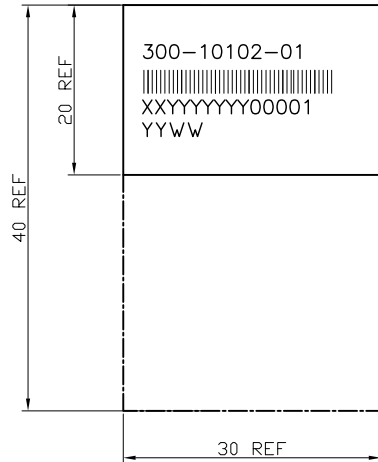
GENERAL TOLERANCE	ANGLE TOLERANCE	DRAWN	DATE	 genesis connected solutions
X.± 0.50 .X± 0.20 .XX± 0.10 .XXX± 0.05	X°± 5.0° .X°± 3.0° .XX°± 2.0° .XXX°± 1.0°	HSIO	2016.07.21	
MATL	SEE BOM	CHECKED	DATE	TITLE: EXT MINI SAS 26P CABLE ASSEMBLY SFF-8088, 6.0G
FINISH	SEE NOTES	APPROVED	DATE	PART NUMBER: 300-10102-01
SCALE	N/A			DRAWING NO. 300-10102
SHEET	1 OF 2			SIZE A4 REV. X1

RoHS Compliant

PROPRIETARY INFORMATION
COMPANY CONFIDENTIAL

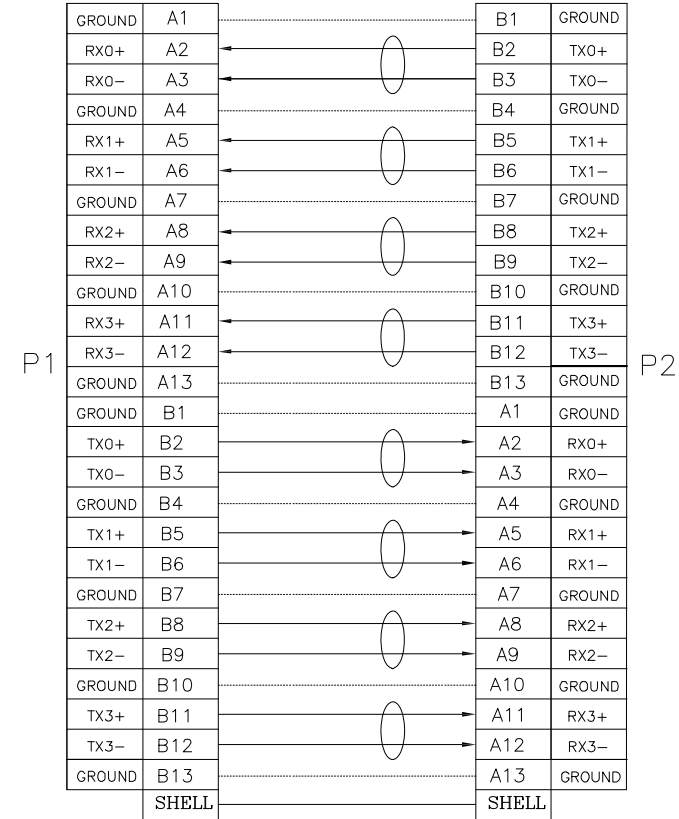
REV.	ECN. NO.	DESCRIPTION	ENG	DATE
X1		INITIAL	HSIO	21/7/2016

LABEL INFORMATION



128 CODE CONTENTS:
SN:XXXXXXXXXX00001
 Order number
 Product type code

WIRING DIAGRAM



MATERIAL RoHS COMPLIANT:

- CABLE
CONDUCTOR: SOLIDER SILVER PLATED COPPER
DRAIN WIRE: TINNED COPPER
PAIR SHIELD: HOT MELT ALUMINUM MYLAR
- EXT MINI-SAS 4X CABLE PLUG:
BACK SHELLS -NICKEL PLATED ZINC.
PULL LATCH - NYLON.
RIVETS - ALUMINUM ALLOY.
- THIS PRODUCT CONFORMS TO THE MECHANICAL DIMENSIONING REQUIREMENTS OF SFF-8088
- ELECTRICAL TEST PLS REFER TO SLK STANDARD ES-003
- THIS PRODUCT MEETS SAS2.1
- THE DIMENSION MARKED ▼ SHOULD BE CHECKED BY QC.

RoHS Compliant

GENERAL TOLERANCE X.± 0.50 .X± 0.20 .XX± 0.10 .XXX± 0.05	ANGLE TOLERANCE X°± 5.0° .X°± 3.0° .XX°± 2.0° .XXX°± 1.0°	DRAWN HSIO	DATE 2016.07.21		
MATL SEE BOM	FINISH SEE NOTES	CHECKED	DATE		TITLE: EXT MINI SAS 26P CABLE ASSEMBLY SFF-8088, 6.0G
SCALE N/A	UNIT mm	APPROVED	DATE	PART NUMBER: 300-10102-01	
SHEET 2 OF 2				DRAWING NO. 300-10102	SIZE A4 REV. X1