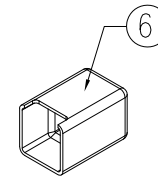
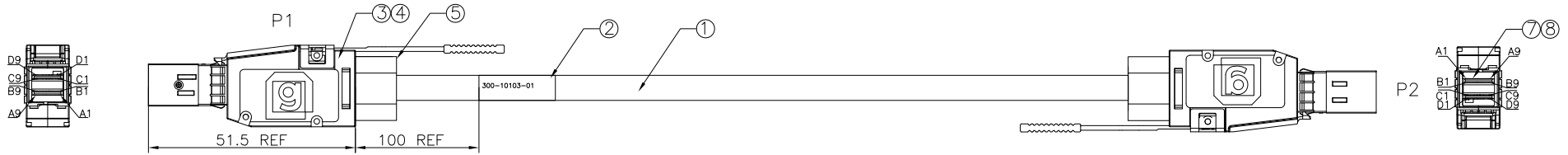
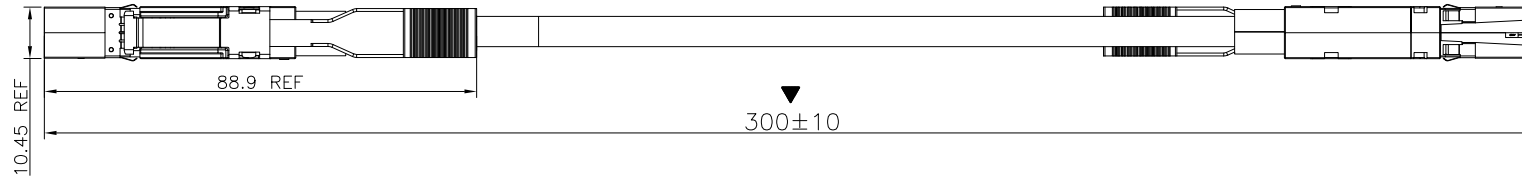


PROPRIETARY INFORMATION  
COMPANY CONFIDENTIAL

REV.	ECN. NO.	DESCRIPTION	ENG	DATE
X1		INITIAL	HSIO	21/7/2016



8	P-HSE2830-02B	2	EXT MINI SAS HD PCB A,B	
7	A-HSE2830-01B	2	EXT MINI SAS HD PCB C,D	
6	P-HSEPE-0001	2	DUST COVER FOR SFF-8644, PE, NATUAL	
5	P-HSEPV-0001	2	CABLE SR FOR EXT HD-SAS,PVC, BLACK.	
4	P-HSEPE-0002	2	INNER MOLDING FOR EXT HD-SAS,	
3	SHSE30-1-G	2	EXT HD-SAS CONNECTOR,SHELL,LATCH,PULL TAB,RIVET,EMI	
2	L-01-C-0001	1	ID LABEL, 40*30MM, WRAPPING AROUND	
1	CAB-QS1-B-30PC CAB-QS1-L-30FR-01	R/A	8P*30AWG CABLE, LEONI LSZH&BELDEN PVC	
ITEM	NAME	Q'TY	DESCRIPTION	NOTE

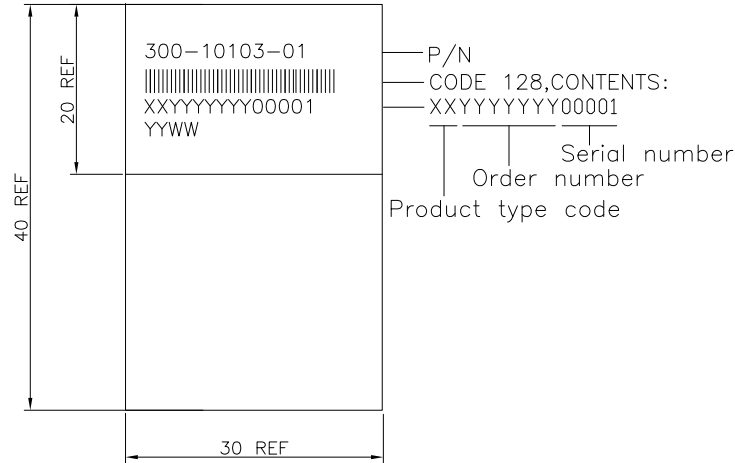
GENERAL TOLERANCE		ANGLE TOLERANCE		DRAWN	DATE	
X.± 0.50	.X°± 5.0°	HSIO	2016.07.21	TITLE: EXT MINI SAS HD CABLE ASSEMBLY SFF-8644 , 12G		
.X± 0.20	.X°± 3.0°	CHECKED	DATE	PART NUMBER: 300-10103-01		
.XX± 0.10	.XX°± 2.0°	APPROVED	DATE	DRAWING NO. 300-10103		
.XXX± 0.05	.XXX°± 1.0°	MATERIAL: SEE BOM		SIZE: A4		
FINISH: SEE NOTES		SCALE: N/A		REV: X1		
UNIT: mm		SHEET 1 OF 2				

RoHS Compliant

PROPRIETARY INFORMATION  
COMPANY CONFIDENTIAL

REV.	ECN. NO.	DESCRIPTION	ENG	DATE
X1		INITIAL	HSIO	21/7/2016

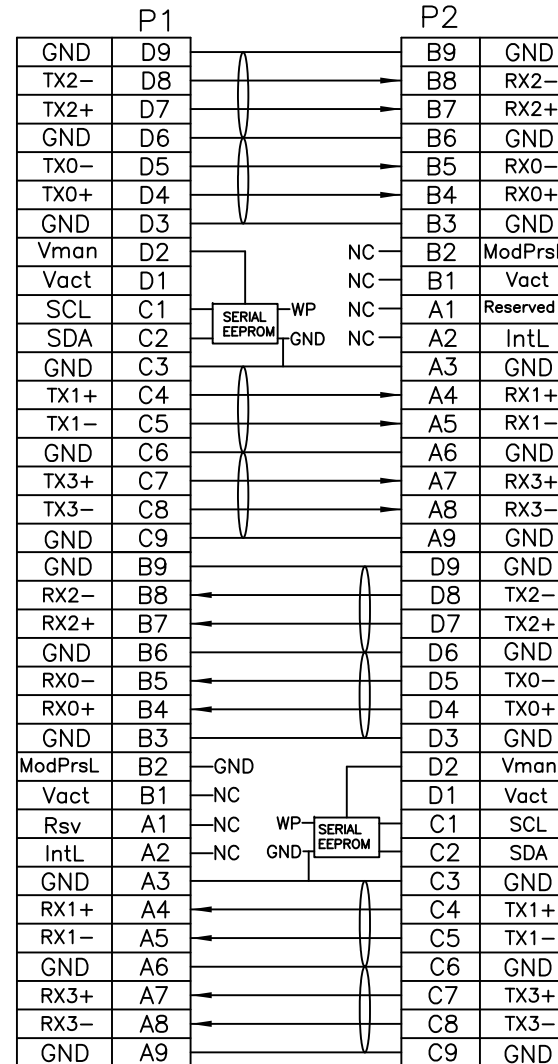
### LABEL INFORMATION



### MATERIAL RoHS COMPLIANT:

- CABLE :  
CONDUCTOR: SOLIDER SILVER PLATED COPPER  
INSULATION: Skin-Foan-Skin  
DRAIN WIRE: TINNED COPPER  
PAIR SHIELD: HOT MELT ALUMINUM MYLAR
- PCB: ISOLA 370HR
- LEFT /RIGHT SHELL: ZINC ALLOY NICKEL PLATED
- THIS PRODUCT CONFORMS TO THE MECHANICAL DIMENSIONING REQUIREMENTS OF SFF-8644
- ELECTRICAL TEST PLS REFER TO SLK STANDARD ES-005
- TWO-WIRED SERIAL MEMORY: AT24C02B EEPROM(256 BYTES)
- THIS PRODUCT MEETS SAS3.0
- STRUCTURE DIMENSION ACCORDING TO SFF-8644.

### WIRING TABLE



RoHS Compliant

GENERAL TOLERANCE X.± 0.50 .X± 0.20 .XX± 0.10 .XXX± 0.05	ANGLE TOLERANCE X°± 5.0° .X°± 3.0° .XX°± 2.0° .XXX°± 1.0°	DRAWN HSIO	DATE 2016.07.21	
MATL SEE BOM		CHECKED	DATE	
FINISH SEE NOTES		APPROVED	DATE	PART NUMBER: 300-10103-01
SCALE N/A	UNIT mm	SHEET 2 OF 2		DRAWING NO. 300-10103
				SIZE A4
				REV. X1