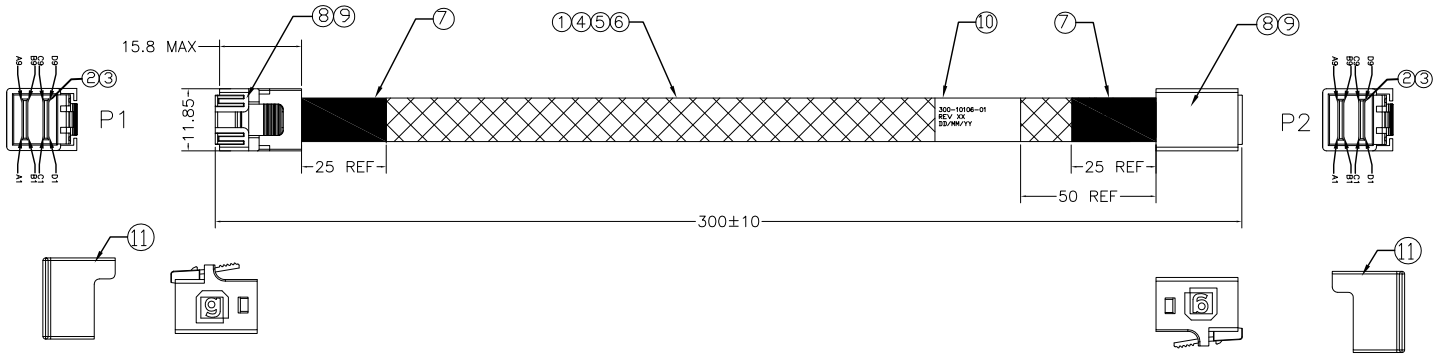
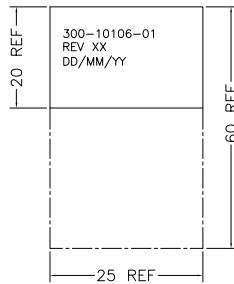


REV.	ECN. NO.	DESCRIPTION	ENG	DATE
X1		INITIAL	HSIO	7/21/2016



LABEL INFORMATION



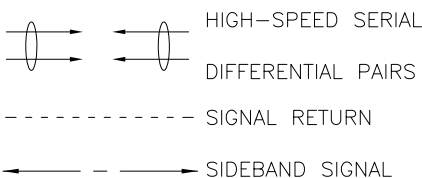
WIRING TABLE

P1			P2	
GND	D9		B9	GND
TX2-	D8		B8	RX2-
TX2+	D7		B7	RX2+
GND	D6		B6	GND
TX0-	D5		B5	RX0-
TX0+	D4		B4	RX0+
GND	D3		B3	GND
SIDEBAND6	D2		D1	SIDEBAND6
SIDEBAND5	D1		D2	SIDEBAND5
SIDEBAND4	C1		C2	SIDEBAND4
SIDEBAND2	C2		C1	SIDEBAND2
GND	C3		A3	GND
TX1+	C4		A4	RX1+
TX1-	C5		A5	RX1-
GND	C6		A6	GND
TX3+	C7		A7	RX3+
TX3-	C8		A8	RX3-
GND	C9		A9	GND
GND	B9		D9	GND
RX2-	B8		D8	TX2-
RX2+	B7		D7	TX2+
GND	B6		D6	GND
RX0-	B5		D5	TX0-
RX0+	B4		D4	TX0+
GND	B3		D3	GND
SIDEBAND1	B2		B1	SIDEBAND1
SIDEBAND3	B1		B2	SIDEBAND3
SIDEBAND7	A1		A2	SIDEBAND7
SIDEBAND0	A2		A1	SIDEBAND0
GND	A3		C3	GND
RX1+	A4		C4	TX1+
RX1-	A5		C5	TX1-
GND	A6		C6	GND
RX3+	A7		C7	TX3+
RX3-	A8		C8	TX3-
GND	A9		C9	GND

NOTES:

- CABLE :
CONDUCTOR: 30AWG SOLIDER TINNED COPPER
INSULATION: HDPE
PAIR DRAIN WIRE: 30AWG TINNED COPPER
PAIR SHIELD: HOT MELT ALUMINUM MYLAR
- PCB: ISOLA 370HR
- HOUSING: ABS, BLACK
- THIS PRODUCT CONFORMS TO THE MECHANICAL DIMENSIONING REQUIREMENTS OF SFF-8643
- THIS PRODUCT MEETS SAS3.0
- IMPEDANCE: 100 OHMS

NO.	DESCRIPTION	P/N	Q'TY
11	HD SAS INT. DUST COVER, PE	P-HSIPE-0003	2
10	ID LABEL, 60*25MM, WRAPPING AROUND	10081646-002	1
9	HOUSING FOR SFF-8643, ABS, BLACK	P-HSIAB-0007-G	2
8	INNER MOLDING FOR SFF-8643, PVC, BLACK	P-HSIPV-0005	2
7	ACETATE TAPE. W=25MM, BLACK	O-AT-S-0004	A/R
6	PLASTIC BRAID SLEEVE, Ø8.0, PET, BLACK	O-NB-S-0004	A/R
5	FLAT CABLE, 30AWG, PVC	CAB-FLA-Y-4P-30PC-01	A/R
4	FLAT CABLE, 30AWG, PVC	CAB-FLA-Y-4P-30PC	A/R
3	PCB FOR SFF-8643 STR, 4L, AU30u" C/D	P-HSI2830-02B	2
2	PCB FOR SFF-8643 STR, 4L, AU30u" A/B	P-HSI2830-01B	2
1	SAS CABLE, 30AWG	CAB-MSI-D-30MN	A/R



GENERAL TOLERANCE	ANGLE TOLERANCE	DRAWN	DATE
X.± 0.50	.X°±	HSIO	2016.07.21
.X± 0.20	.XX°±	CHECKED	DATE
.XX± 0.10	.XXX°±	APPROVED	DATE
.XXX± 0.05	.XXX°±		
MATL	SEE BOM		
FINISH	SEE NOTES		
SCALE	N/A		
SHEET	1 OF 1		



TITLE.	SFF8643 STR TO SFF8643 STR
PART NUMBER.	300-10106-01
DRAWING NO.	300-10106
SIZE	A4
REV.	X1