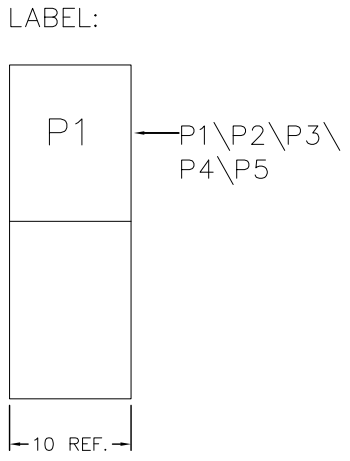
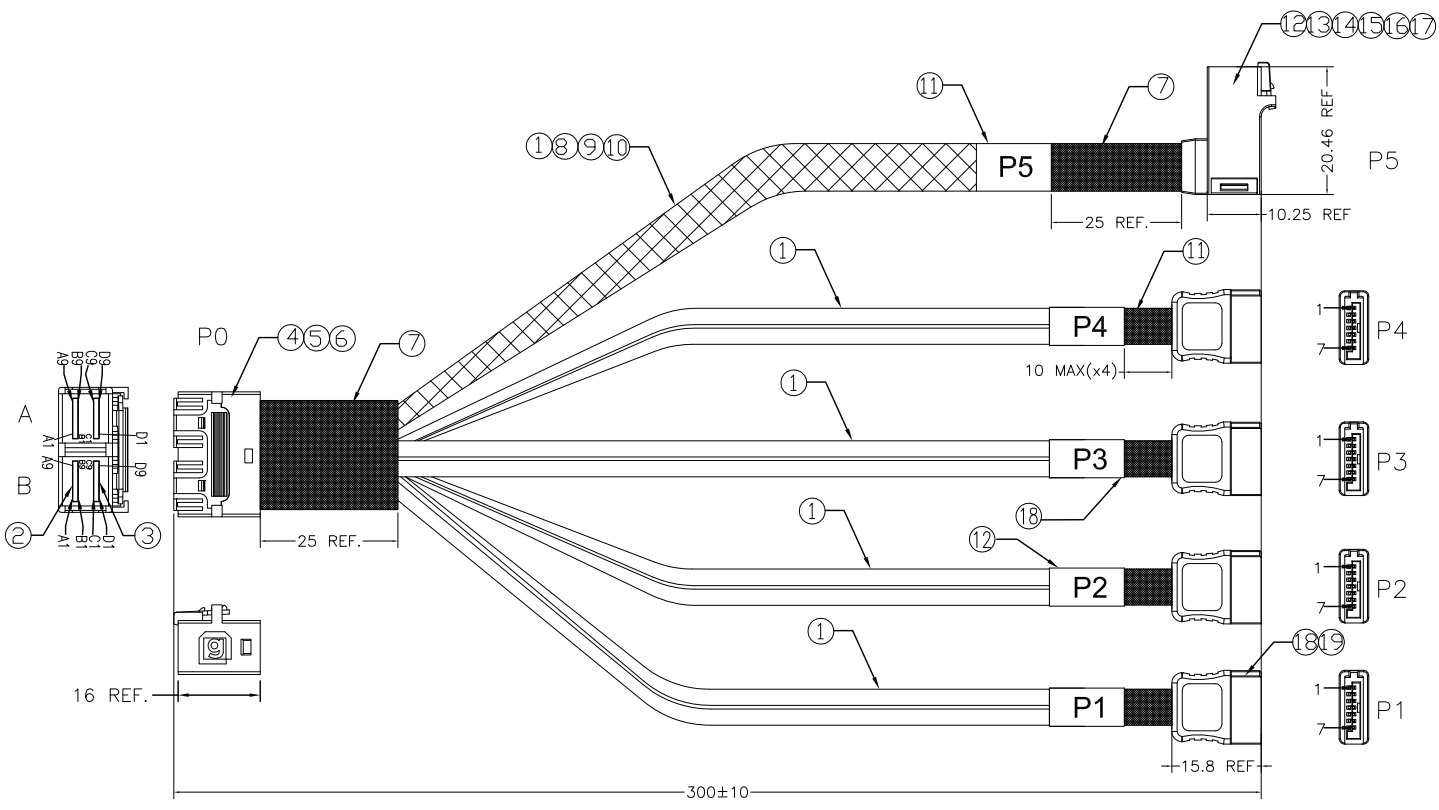


PROPRIETARY INFORMATION  
COMPANY CONFIDENTIAL

REV.	ECN. NO.	DESCRIPTION	ENG	DATE
X1		INITIAL	HSIO	7/21/2016



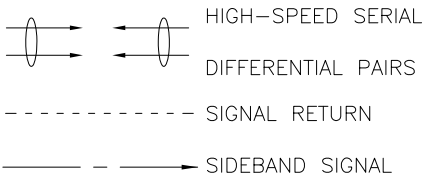
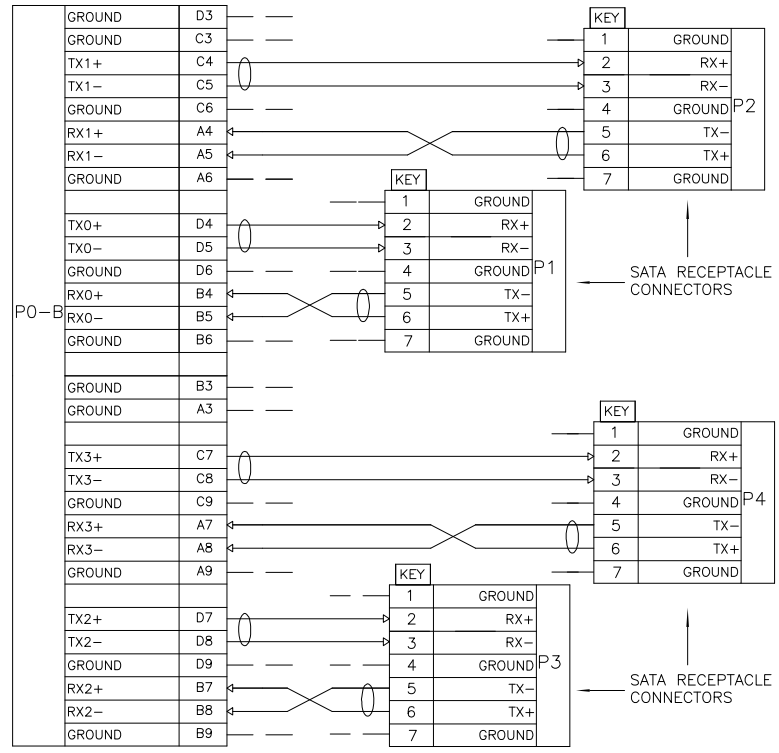
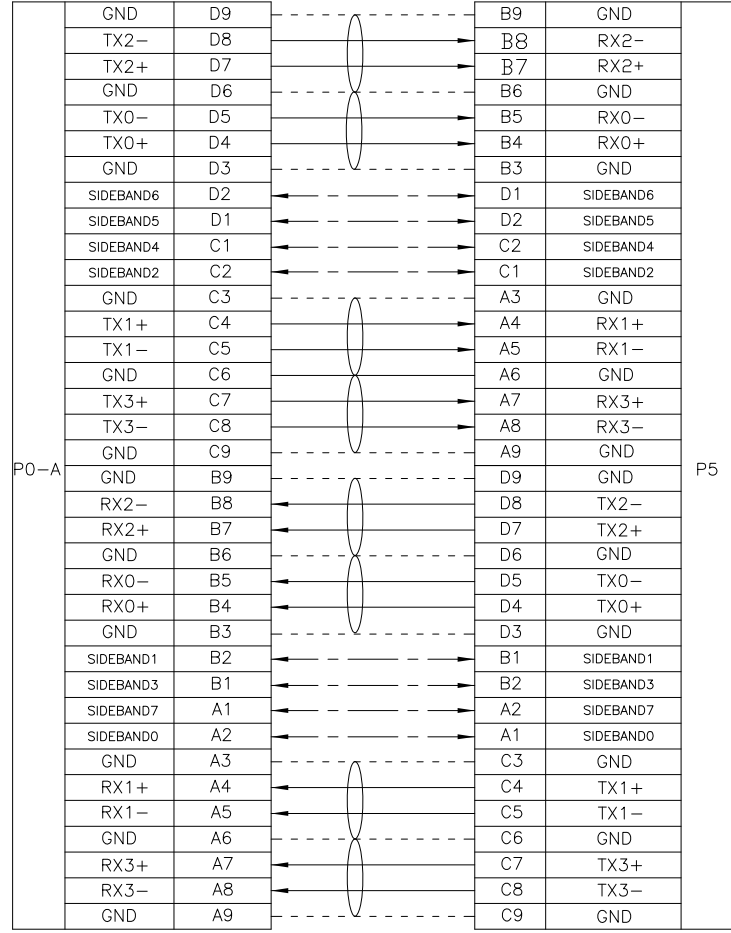
- NOTES:
- CABLE :  
CONDUCTOR: 30AWG SOLIDER TINNED COPPER  
INSULATION: HDPE  
PAIR DRAIN WIRE: 30AWG TINNED COPPER  
PAIR SHIELD: HOT MELT ALUMINUM MYLAR
  - PCB: ISOLA 370HR
  - HOUSING: ABS, BLACK
  - THIS PRODUCT CONFORMS TO THE MECHANICAL DIMENSIONING REQUIREMENTS OF SFF-8643
  - THIS PRODUCT MEETS SAS3.0
  - IMPEDANCE: 100 OHMS

19	OVER MOLDING FOR SATA 7P 180', 45P PVC, BLACK	P-SATPV-0002	4
18	SATA 7P CONN, SOLDER TYPE, G/F	PBQ-023BB-A1-1	4
17	METAL CLIP FOR SFF-8643 RA EXIT, ABS, BLACK	M-HSISLOT-03	1
16	HOUSING FOR SFF-8643 RA EXIT, ABS, BLACK	P-HSIAB-0005	1
15	INNER MOLDING FOR SFF-8643 R/A, PVC, BLACK C/D	P-HSIPV-0007	1
14	INNER MOLDING FOR SFF-8643 R/A, PVC, BLACK A/B	P-HSIPV-0006	1
13	PCB FOR SFF-8643 STR, 4L, AU30u" C/D	P-HSI2830-02B	2
12	PCB FOR SFF-8643 STR, 4L, AU30u" A/B	P-HSI2830-01B	2
11	LABEL, 10*40MM	L-04-S-0002	5
10	PLASTIC BRAID SLEEVE, Ø8.0, PET, BLACK	O-NB-S-0004	A/R
9	FLAT CABLE, 30AWG, 0.8PITCH, PVC,BLACK,PURPLE,BLUE,GREEN	CAB-FLA-Y-4P-30PC-01	A/R
8	FLAT CABLE, 30AWG, 0.8PITCH, PVC,YELLOW, ORANGE,RED,WHITE	CAB-FLA-Y-4P-30PC	A/R
7	ACETATE TAPE. W=25MM, BLACK	O-AT-S-0004	A/R
6	HOUSING FOR SFF-8643 DUAL STR, ABS, BLACK	P-HSIAB-0006-G	1
5	INNER MOLDING FOR SFF-8643 DUAL, BLACK C/D	P-HSIPE-00110	1
4	INNER MOLDING FOR SFF-8643 DUAL, BLACK A/B	P-HSIPE-00100	1
3	PCB FOR SFF-8643 DUAL STR, 4L, AU30u" C/D	P-HSI2830-09	1
2	PCB FOR SFF-8643 DUAL STR, 4L, AU30u" A/B	P-HSI2830-08	1
1	SAS CABLE, 30AWG	CAB-MSI-D-30MM	A/R
NO.	DESCRIPTION	P/N	Q'TY

GENERAL TOLERANCE X.± 0.50 .X± 0.20 .XX± 0.10 .XXX± 0.05	ANGLE TOLERANCE X°± .X°± .XX°± .XXX°±	DRAWN HSIO	DATE 2016.07.21	
MATL SEE BOM	FINISH SEE NOTES	CHECKED	DATE	
SCALE N/A	UNIT mm	APPROVED	DATE	PART NUMBER. 300-10108-01
SHEET 1 OF 2				DRAWING NO. 300-10108
				SIZE A4
				REV. X1

### WIRING TABLE

#### CONTROLLER PINOUT

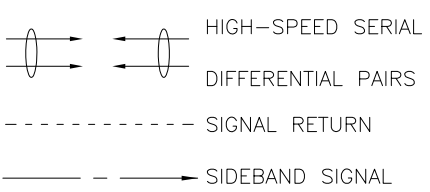
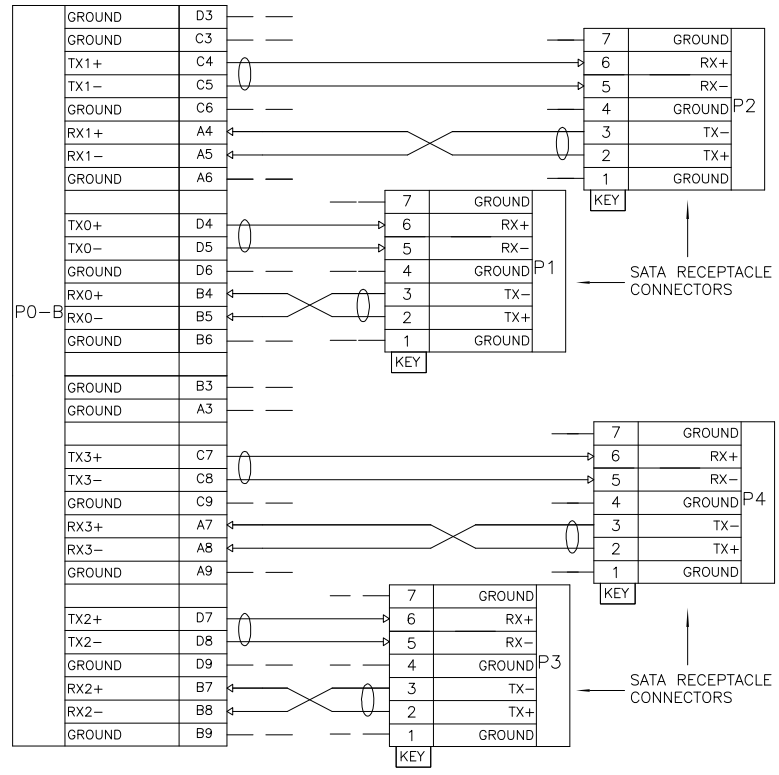
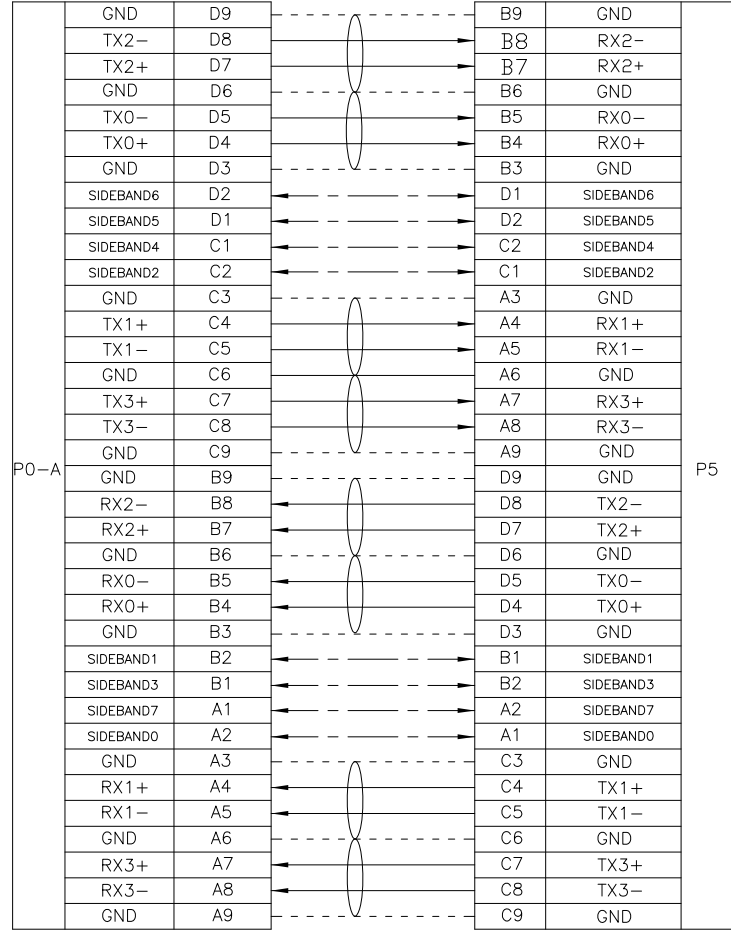


GENERAL TOLERANCE	ANGLE TOLERANCE	DRAWN	DATE
X.± 0.50	X°±	HSIO	2016.07.21
.X± 0.20	.X°±	CHECKED	DATE
.XX± 0.10	.XX°±	APPROVED	DATE
.XXX± 0.05	.XXX°±		
MATL	SEE BOM		
FINISH	SEE NOTES		
SCALE	N/A		
SHEET	2 OF 2		

TITLE.	
SFF8643 DUAL STR TO SFF8643 R/A AND 4-SATA	
PART NUMBER.	
300-10108-01C	
DRAWING NO.	
300-10108	
SIZE	A4
REV.	X1

WIRING TABLE

BACKPLANE PINOUT



GENERAL TOLERANCE	ANGLE TOLERANCE	DRAWN	DATE
X.± 0.50	X°±	HSIO	2016.07.21
.X± 0.20	.X°±	CHECKED	DATE
.XX± 0.10	.XX°±	APPROVED	DATE
.XXX± 0.05	.XXX°±		
MATL	SEE BOM		
FINISH	SEE NOTES		
SCALE	N/A		
SHEET	2 OF 2		
	UNIT mm		

DRAWN		DATE	
HSIO		2016.07.21	
CHECKED		DATE	
APPROVED		DATE	

**genesis**  
connected solutions

TITLE:  
SFF8643 DUAL STR TO SFF8643 R/A AND 4-SATA

PART NUMBER:  
300-10108-01B

DRAWING NO.  
300-10108

SIZE A4  
REV. X1