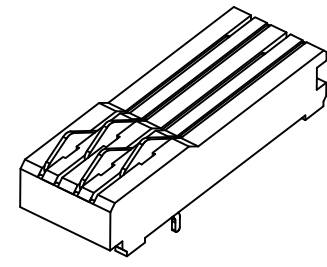
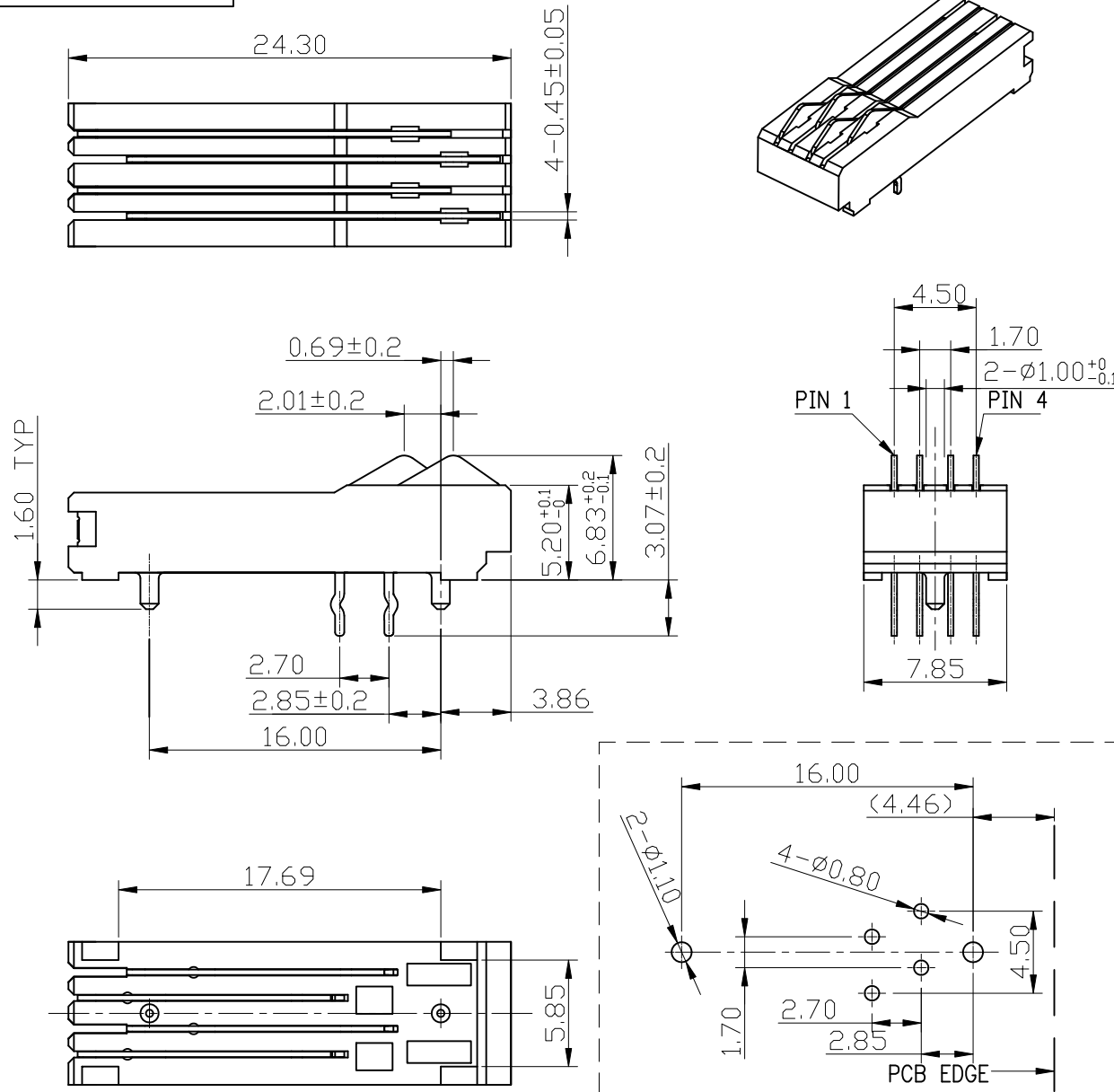


PROPRIETARY INFORMATION
COMPANY CONFIDENTIAL

REV.	ECN. NO.	DESCRIPTION	ENG	DATE
A		INITIAL	Sun	1/23/2015



NOTE:

1. VOLTAGE RATING: 100V
2. CURRENT RATING: 2.0A
3. CONTACT RESISTANCE: 30m Ω MAX.
4. INSULATION RESISTANCE: 1000M Ω MIN.
5. WITHSTAND VOLTAGE: 500V AC FOR MINUTE MIN
6. DURABILITY: 5,000 CYCLES
7. OPERATION TEMPERATURE : -30° TO +85°
8. RoHS 6/6 COMPLIANT.

PART NUMBER:

BATR- 28 04 -A K K 0 T
① ② ③④⑤⑥⑦

1.CONNECTOR:

BATR- 28: BATTERY CONNECTOR 4 POS DIP TYPE

2.POSITIONS:

04: 4 POSITIONS

3.INSULATOR MATERIAL:

A: PBT

4.INSULATOR COLOR:

K: BLACK

5.CONTACT PLATING:

K: GOLD 20u"

6.SHIELD PLATING:

0: NONE SHIELD

7.PACKING:

T: TRAY

RECOMMENDED P.C.B LAYOUT
P.C.B THICKNESS=1.60MM (TOLERANCE=±0.05)

GENERAL TOLERANCE X.±0.50 .X±0.38 .XX±0.25 .XXX±0.15	ANGLE TOLERANCE X°± 5.0° .X°± 3.0° .XX°± 2.0° .XXX°± 1.0°	DRAWN Sun	DATE 1/23/15'	 TITLE: BATTERY CONNECTOR 4 POS DIP TYPE PART NUMBER: BATR-2804-AKKOT DRAWING NO. GT26-210307
MATL SEE BOM	FINISH SEE NOTES	CHECKED	DATE	
SCALE N/A	UNIT mm	APPROVED River	DATE 1/23/15'	SIZE A4 REV. A
SHEET 1 OF 2				

ITEM	NAME	Q'TY	DESCRIPTION	NOTE
2	CONTACT	4	PHOSPHOR,GOLD 20u" PLATING ON CONTACT AREA,100u" MATTE TIN PLATING ON SOLDER AREA,50u" NICKEL UNDER PLATING OVERALL	
1	HOUSING	1	PBT+30%GF,COLOR BLACK	UL94-V0