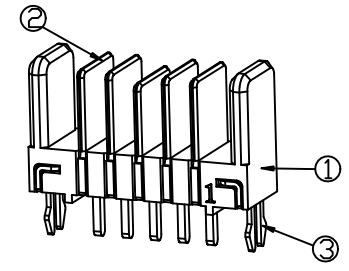
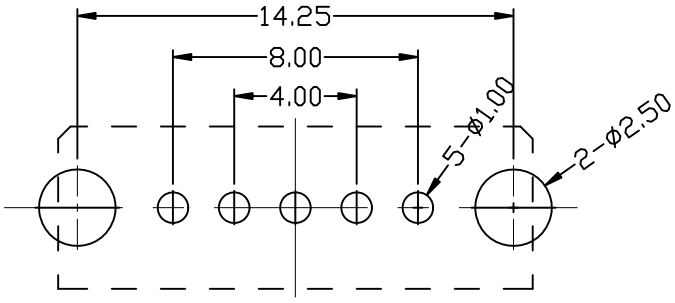
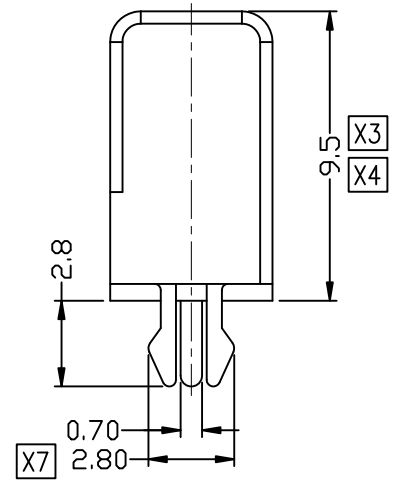
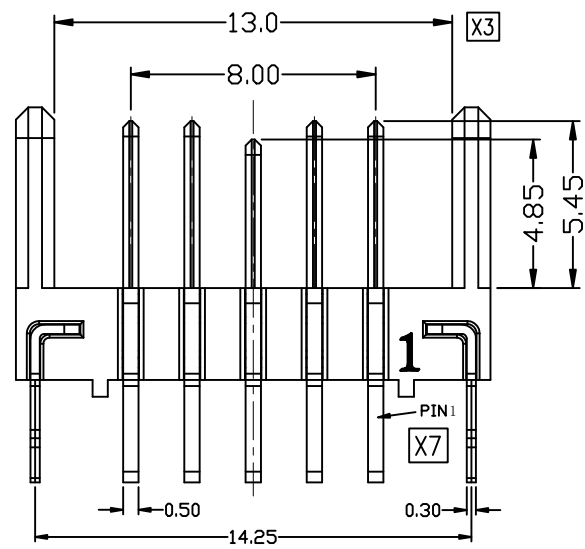
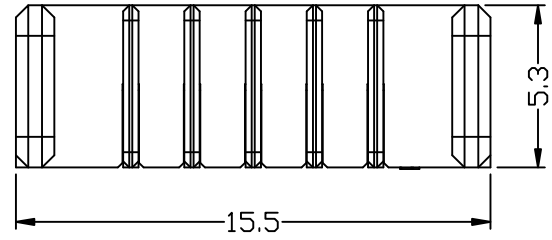


PROPRIETARY INFORMATION
COMPANY CONFIDENTIAL

REV.	ECN. NO.	DESCRIPTION	ENG	DATE
X1		INITIAL	AXL	05/16/2013
X2		CHANGE BODY WAS R/A	AXL	07/03/2013
X3		CHANGE PIN AND CONN.HEIGHT	AXL	05/20/2014
X4		CHANGE HEIGHT WAS 9.8mm AND NOTES AND CHANGE PART NUMBER SCHEME	AXL	06/25/2014
X5		IMPROVE CONN STRUCTURE	AXL	06/26/2014
X6		ADD ELECTRICAL SPEC	Knight	07/02/2014
X7		CHANGE CURRENT RATING 3A AND CHANGE FORK 2.8mm,ADD PIN1 MARK	Sun	09/18/2014



X6 NOTES:

- ELECTRICAL CHARACTERISTICS:
CONTACT RESISTANCE: 20mΩ MAX
VOLTAGE RATING: 125 AC
CURRENT RATING: 3A
INSULATION RESISTANCE: 500MΩ MIN.
OPERATING TEMPERATURE: -40°~ +70°
- MECHANICAL CHARACTERISTICS:
DURABILITY CYCLE: 1000 CYCLES.

X4 PART. NUMBER

BATV -10 05 - A K X 0 I
① ② ③④⑤⑥⑦

- CONNECTOR:
10: BATTERY CONNECTOR VERTICAL DIP TYPE
- POSITION:
05: 05 POSITIONS
- INSULATOR MATERIAL:
A: PBT
- INSULATOR COLOR:
K: BLACK
- CONTACT PLATING:
1: GOLD FLASH
3: GOLD 5u"
4: GOLD 10u"
- SHIELD PLATING
0: NONE-SHIELD
- PACKING
T: TRAY

Recommended P.C.B. Layout
Layout Tolerance = ± 0.05mm

ITEM	NAME	Q'TY	DESCRIPTION	MATERIAL	FINISH/COLOR	NOTE
3	FORKLOCK	2		BRASS	TIN 80u" ON SOLDER TAILS OVER NICKEL 30u" UNDER-PLATED OVERALL.	
2	TERMINAL	5		BRASS	SELECTED GOLD ON CONTACT AREA, TIN 80u" ON SOLDER TAILS, NICKEL 30u" UNDER-PLATED OVERALL.	
1	HOUSING	1		PBT+30%G.F	BLACK	UL94V-0

GENERAL TOLERANCE	ANGLE TOLERANCE	DRAWN	DATE
X±	X°±	Sun	09/18/14'
.X±0.40	.X°±	CHECKED	DATE
.XX±0.30	.XX°±	APPROVED	DATE
.XXX±0.20	.XXX°±	River	09/18/14'

ENESIS TECHNOLOGY, INC.	
TITLE: BATTERY CONN 5PIN DIP VERTICAL	
PART NUMBER: X4 BATV-1005-AKX0T	
DRAWING NO.	SIZE
GT20-300203	A4
	REV. X7