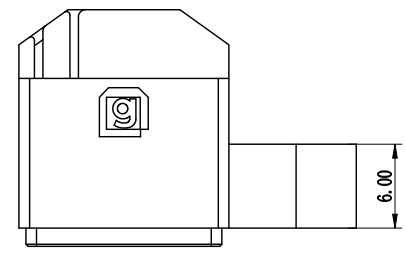
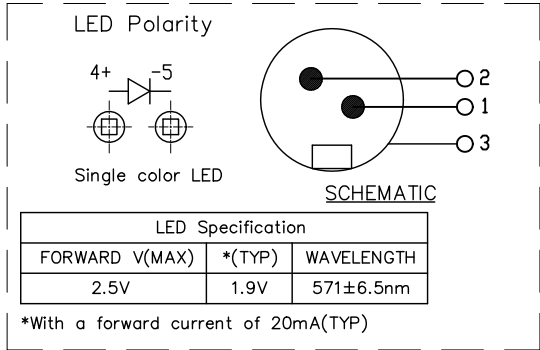
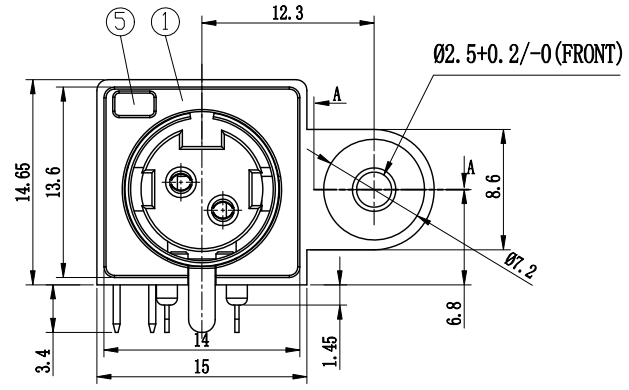
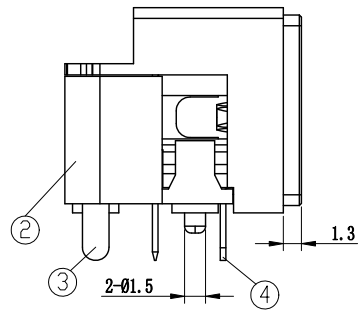


PROPRIETARY INFORMATION
COMPANY CONFIDENTIAL

REV.	ECN. NO.	DESCRIPTION	ENG	DATE
X1		INITIAL	Sun	8/21/2014

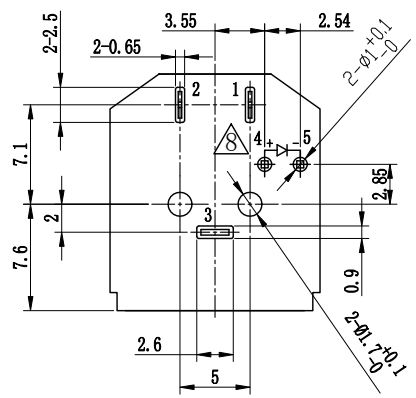


- NOTES:
- 1.RATING: PIN 1&2:DC20V 7.5A Max.
 - 2.CONTACT RESISTANCE:30m ohms Max.
 - 3.INSULATION RESISTANCE:DC250V 50M ohms Min.
 - 4.VOLTAGE WITHSTANDING:AC250V 1Minute.
 - 5.INSERTION FORCE:4.5kgf Max.
WITHDRAWAL FORCE:1.0kgf Min.
 - 6.OPERATING TEMP: -25°C TO +70°C
 - 7.MOUNTING SCREW HOLE IS SIZED FOR PLASTITE NO.4 SCREW, MOUNTING TORQUE IS 40-51 N-cm.
 - 8.SOLDER TEMPERATURE:230±5°,DURATION:5±1 SEC

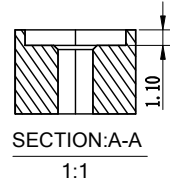
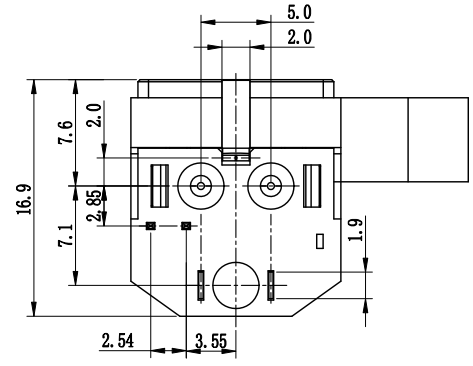


DCJR-2F 02 -A K A 0 T
① ② ③ ④ ⑤ ⑥ ⑦

1. CONNECTOR:
DCJR-2F: 2PIN POWER DIN WITH RIGHT SCREW BOSS AND LED
2. POSITIONS:
02:Pins 02
3. INSULATOR MATERIAL:
A: PBT
4. INSULATOR COLOR:
K: BLACK
5. CONTACT PLATING:
A: Tin 100u" min
6. SHIELD PLATING:
0: NONE SHIELD
7. PACKING
T: TRAY



Recommended P.C.B Layout
Bottom View
P.C.B Tolerances: ±0.05mm

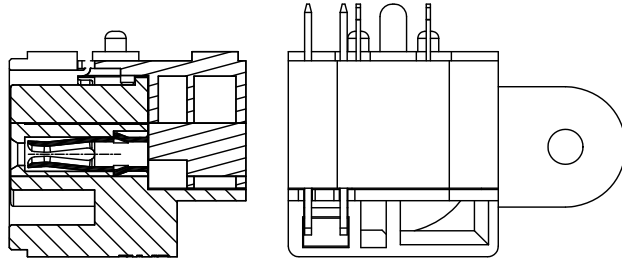


ITEM	NAME	Q'TY	DESCRIPTION	NOTE
5	LED	1	GREEN LIGHT COLOR, Ag 10u" Plating	
4	GROUND	1	BRASS, Tin 100u" Plating, T=0.40	
3	PIN	2	PHOSPHOR BRONZE, Tin 100u" Plating, T=0.30	
2	COVER	1	PBT+15%G. F, COLOR BLACK	UL94V-0
1	BODY	1	PBT+15%G. F, COLOR BLACK	UL94V-0

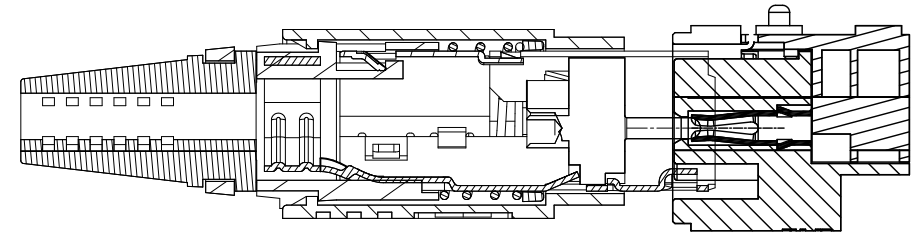
GENERAL TOLERANCE X ± 0.50 .X ± 0.40 .XX ± 0.30 .XXX ± 0.20	ANGLE TOLERANCE X° ± 5.0° .X° ± 3.0° .XX° ± 2.0° .XXX° ± 1.0°	DRAWN <i>Sun</i>	DATE 08/21/14'	 TITLE: 2PIN POWER DIN WITH RIGHT SCREW BOSS AND LED PART NUMBER: DCJR-2F02 -A K A 0 T DRAWING NO. GT23-210201 SIZE A4 REV. X1
MATL SEE BOM	FINISH SEE NOTES	CHECKED	DATE	
SCALE N/A	UNIT mm	APPROVED <i>River</i>	DATE 08/21/14'	
SHEET 1 OF 2				

PROPRIETARY INFORMATION
COMPANY CONFIDENTIAL

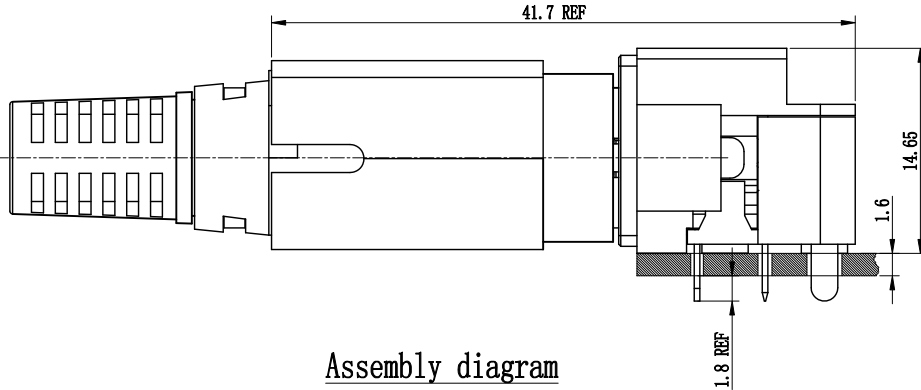
REV.	ECN. NO.	DESCRIPTION	ENG	DATE
X1		INITIAL	Sun	8/21/2014



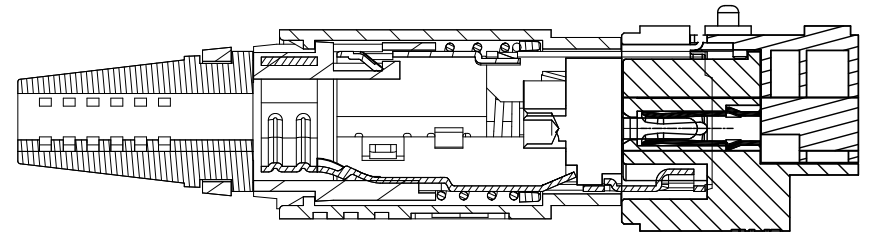
Cutaway diagram



Before the assembly diagram



Assembly diagram



After the assembly diagram

5	LED	1	GREEN LIGHT COLOR, Ag 10u" Plating	
4	GROUND	1	BRASS, Tin 100u" Plating, T=0.40	
3	PIN	2	PHOSPHOR BRONZE, Tin 100u" Plating, T=0.30	
2	COVER	1	PBT+15%G. F, COLOR BLACK	UL94V-0
1	BODY	1	PBT+15%G. F, COLOR BLACK	UL94V-0
ITEM	NAME	Q'TY	DESCRIPTION	NOTE

GENERAL TOLERANCE	ANGLE TOLERANCE
X ± 0.50	X° ± 5.0°
.X ± 0.40	.X° ± 3.0°
.XX ± 0.30	.XX° ± 2.0°
.XXX ± 0.20	.XXX° ± 1.0°

MATL	SEE BOM
FINISH	SEE NOTES
SCALE	N/A
SHEET	2 OF 2

DRAWN	DATE
Sun	08/21/14'
CHECKED	DATE
APPROVED	DATE
River	08/21/14'

TITLE: 2PIN POWER DIN WITH RIGHT SCREW BOSS AND LED	
PART NUMBER: DCJR-2F02 -A K A 0 T	
DRAWING NO.	SIZE
GT23-210201	A4
REV: X1	