

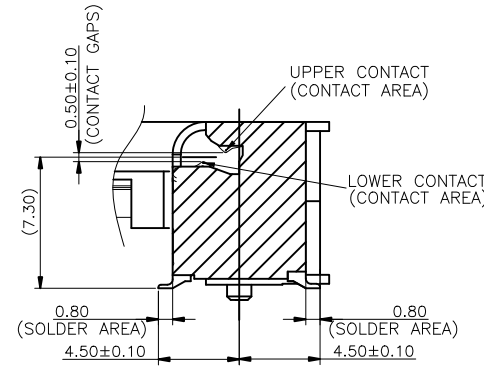
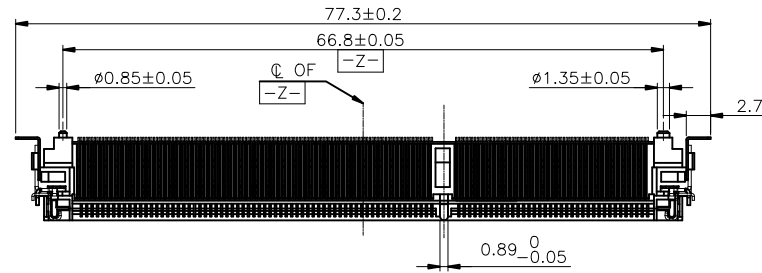
PROPRIETARY INFORMATION  
COMPANY CONFIDENTIAL

REV.	ECN. NO.	DESCRIPTION	ENG	DATE
A		INITIAL	Knight	09/17/15'

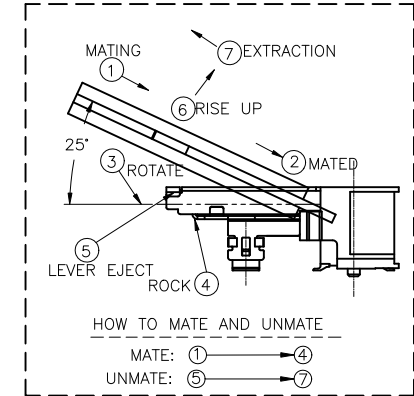
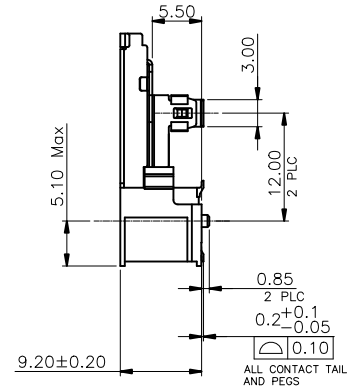
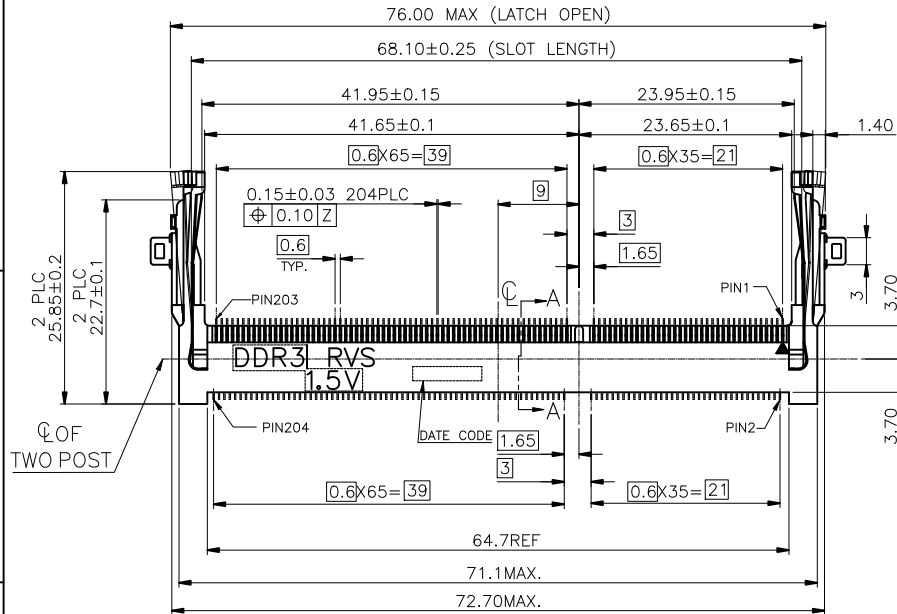
ORDER INFORMATION

DDSR-25 2A - B K 1 0 R  
① ② ③ ④ ⑤ ⑥ ⑦

- TYPE:  
DDSR-25:DDR SO DIMM 9.2H RVS ASSY
- POSITIONS:  
2A:204 POSITIONS
- INSULATOR MATERIAL:  
B: LCP
- INSULATOR COLOR:  
K: BLACK
- CONTACT PLATING:  
1: GOLD FLASH
- SHIELD PLATING:  
0: NONE SHIELD
- PACKING  
R: TAPE&REEL



SECTIONAL A-A  
SCALE 2:1

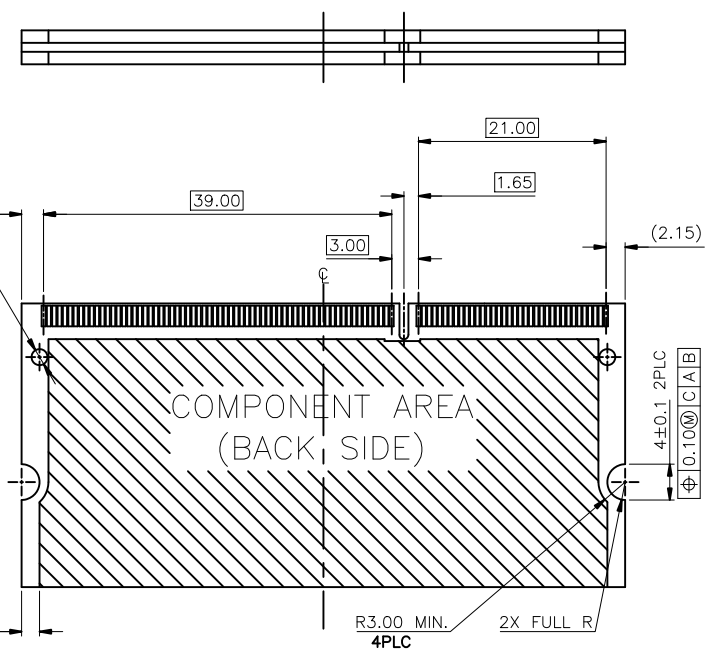
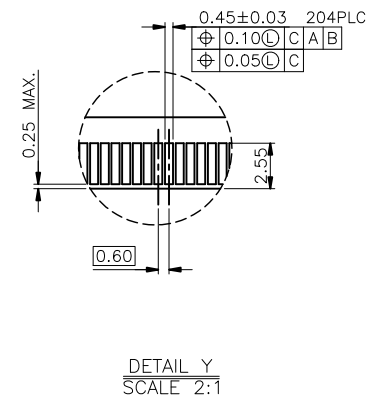
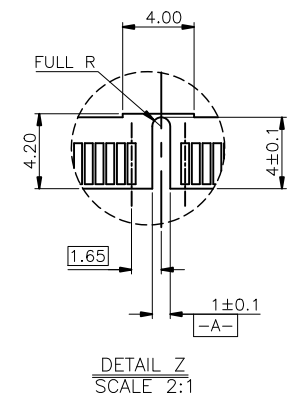
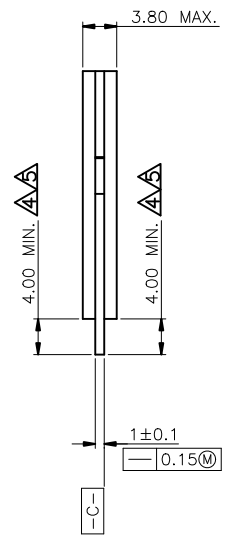
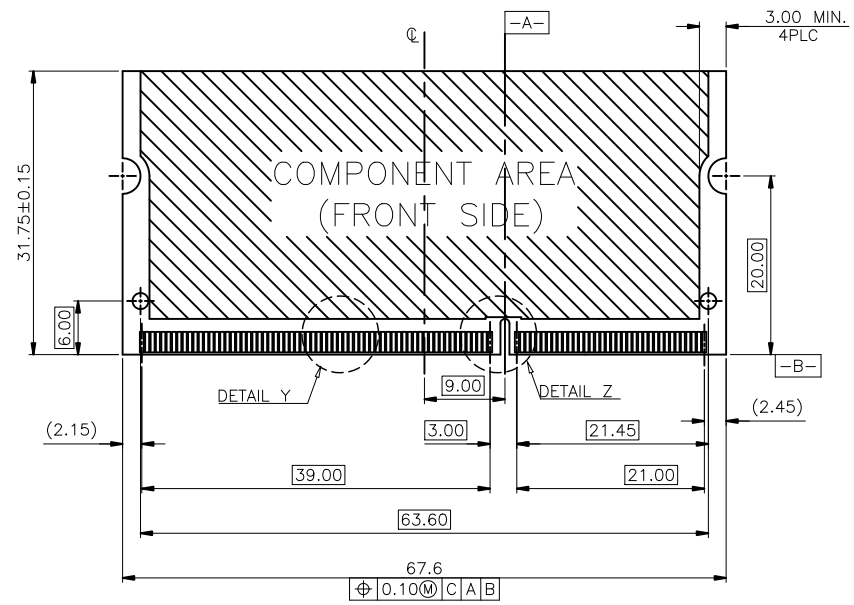


5	PEG	1	BRASS,MATTE TIN 100u" MIN ON SOLDER AREA,NICKEL 50u"MIN UNDER PLATING OVERALL
4	LATCH	2	SUS
3	NUT	1	SUS
2	CONTACT	204	PHOSPHOR BRONZE,GOLD FLASH PLATING ON CONTACT AREA,Au 2u" MIN PLATING SOLDER AREA,NICKEL 50u" MIN UNDER PLATING OVERALL
1	HOUSING	1	LCP+15%G.F
ITEM	NAME	Q'TY	DESCRIPTION

GENERAL TOLERANCE X±0.50 .X±0.38 .XX±0.25 .XXX±0.15	ANGLE TOLERANCE X°±5.0° .X°±3.0° .XX°±2.0° .XXX°±1.0°	DRAWN <i>hughe</i>	DATE 09/17/15'	
MATL SEE BOM	FINISH SEE NOTES	CHECKED	DATE	
SCALE N/A	UNIT mm	APPROVED <i>River</i>	DATE 09/17/15'	PART NUMBER DDSR-252A-BK10R
SHEET 1 OF 3				DRAWING NO. GT26-210626
				SIZE A4 REV. A

PROPRIETARY INFORMATION  
COMPANY CONFIDENTIAL

REV	ECN. NO.	DESCRIPTION	ENG	DATE
A		INITIAL	Knight	09/17/15'



NOTE:

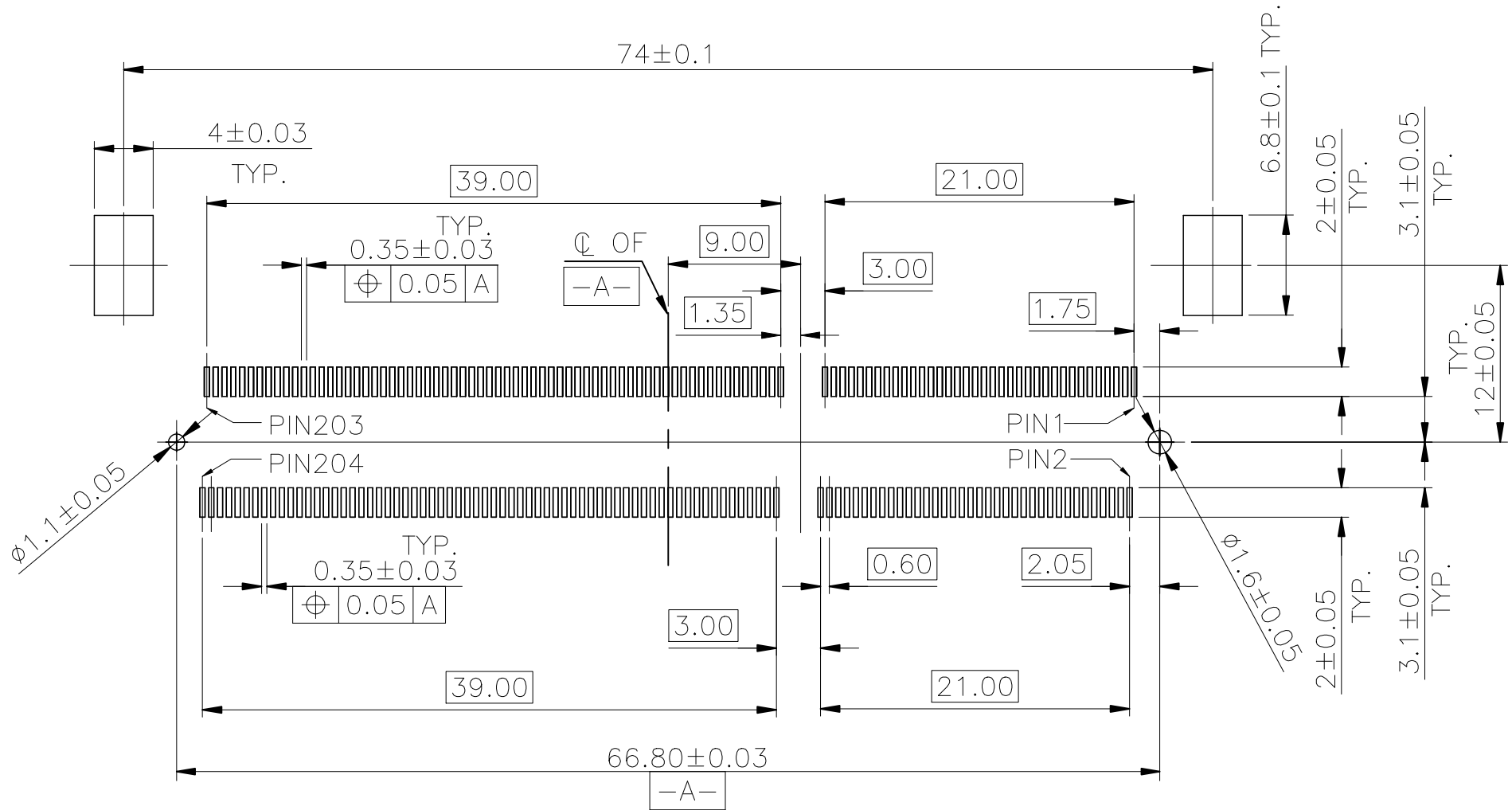
1. TOLERANCES ON ALL DIMENSIONS  $\pm 0.15$  UNLESS OTHERWISE SPECIFIED.
2. P.C.BOARD THICKNESS APPLIES ACROSS TABS AND INCLUDES PLATING AND/OR MENTAIZATION.
3. FINISH OF PAD:GOLD PLATING 0.00076MIN OVER Ni PLATING 0.002MIN.
4. DIMENSIONS APPLICABLE WHEN COMPONENTS MOUNTED ON BOTH SIDE.
5. PCB THICKNESS NOT TO BE EXCEEDED OUTSIDE OF COMPONENT AREA.
6. REFER TO JEDEC SPEC. MO-268 FOR COMPLETE MODULE.

GENERAL TOLERANCE X $\pm 0.50$ .X $\pm 0.38$ .XX $\pm 0.25$ .XXX $\pm 0.15$	ANGLE TOLERANCE X° $\pm 5.0^\circ$ .X° $\pm 3.0^\circ$ .XX° $\pm 2.0^\circ$ .XXX° $\pm 1.0^\circ$	DRAWN <i>hugue</i>	DATE 09/17/15'	 <b>GENESIS TECHNOLOGY INC.</b> TITLE: <b>DDR SO DIMM 9.2H RVS ASSY</b> PART NUMBER: <b>DDSR-252A-BK10R</b> DRAWING NO. <b>GT26-210626</b>	SIZE A4
MATL SEE BOM	FINISH SEE NOTES	CHECKED	DATE		REV. A
SCALE N/A	UNIT mm	APPROVED <i>River</i>	DATE 09/17/15'		
SHEET 3 OF 3					

RECOMMENDED MATING P.C.B CONFIGURATION

PROPRIETARY INFORMATION  
COMPANY CONFIDENTIAL

REV.	ECN. NO.	DESCRIPTION	ENG	DATE
A		INITIAL	Knight	09/17/15'



RECOMMENDED PCB LAYOUT

REVERSE TYPE

GENERAL TOLERANCE X ± 0.50 .X ± 0.38 .XX ± 0.25 .XXX ± 0.15		ANGLE TOLERANCE X° ± 5.0° .X° ± 3.0° .XX° ± 2.0° .XXX° ± 1.0°		DRAWN <i>hugie</i>	DATE 09/17/15'	 <b>GENESIS TECHNOLOGY, INC.</b> TITLE: <b>DDR SO DIMM 9.2H RVS ASSY</b> PART NUMBER: <b>DDSR-252A-BK10R</b>
MATL SEE BOM		FINISH SEE NOTES		CHECKED	DATE	
SCALE N/A	UNIT mm	SHEET 2 OF 3		APPROVED <i>River</i>	DATE 09/17/15'	DRAWING NO. GT26-210626
						SIZE A4 REV. A