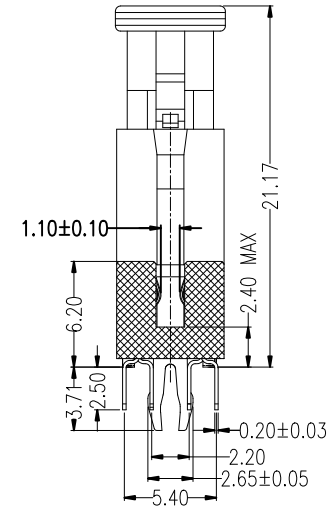
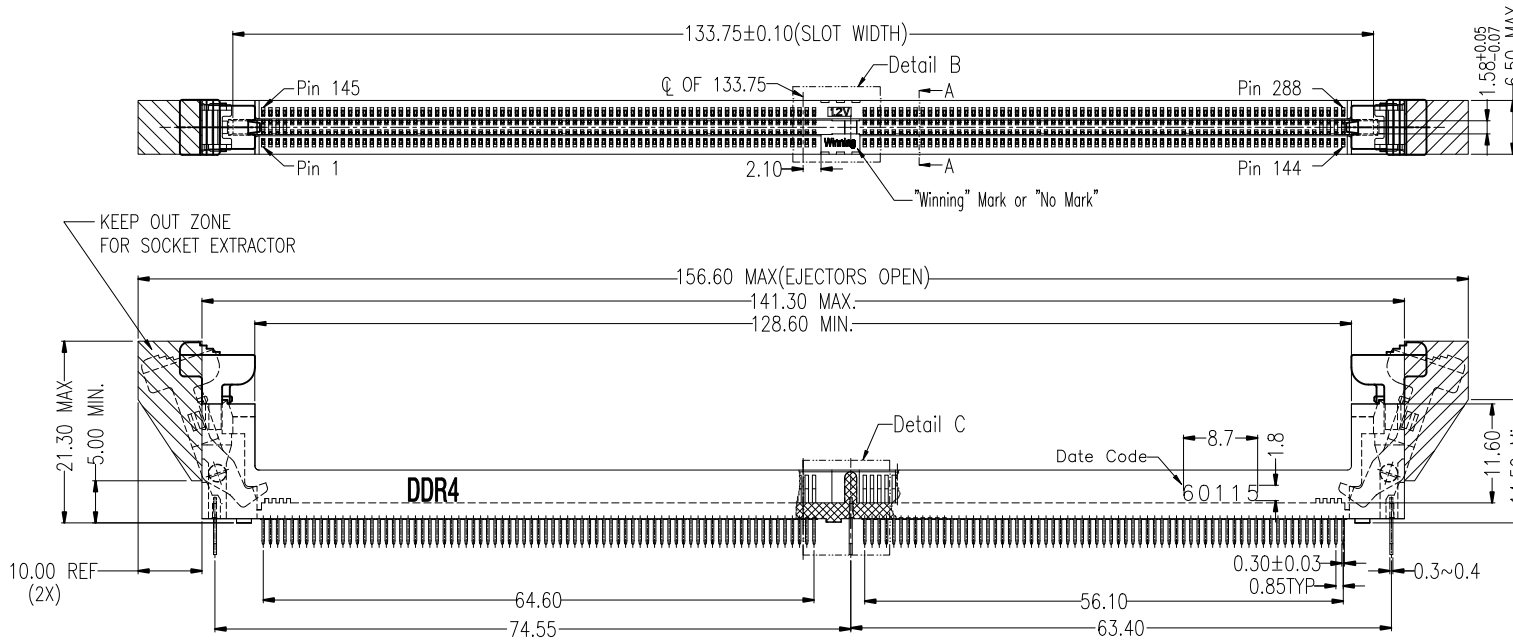
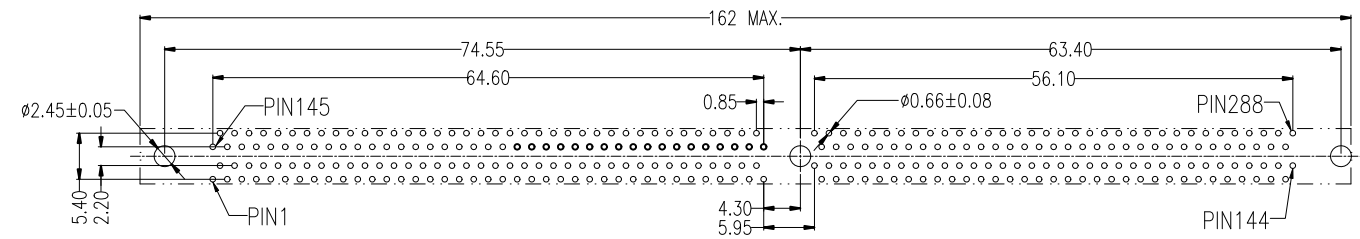


PROPRIETARY INFORMATION  
COMPANY CONFIDENTIAL

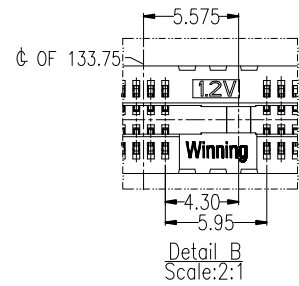
REV.	ECN. NO.	DESCRIPTION	ENG	DATE
A		INITIAL	Sun	8/28/2015



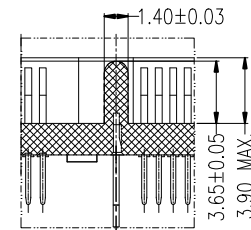
SECTION A-A  
SCALE 2:1



PCB LAYOUT (T=1.57mm)  
COMPONENT SIDE



Detail B  
Scale:2:1



Detail C  
Scale:2:1

DATE CODE	DESCRIPTION
6 0 11 5	Friday 11 Weeks Year Winning

GENERAL TOLERANCE X.±0.50 .X±0.40 .XX±0.30 .XXX±0.20	ANGLE TOLERANCE X°± 5.0° .X°± 3.0° .XX°± 2.0° .XXX°± 1.0°	DRAWN Sun 8/28/15'	DATE				
MATL SEE BOM	FINISH SEE NOTES	CHECKED	DATE				
SCALE N/A	UNIT mm	APPROVED River	DATE 8/28/15'				
SHEET 1 OF 2		<table border="1"> <tr> <td colspan="2"> </td> </tr> <tr> <td colspan="2"> <b>GENESIS TECHNOLOGY, INC.</b>                  TITLE: DDR4-288P 0.85mm Pitch                  DIP Ejector Type                  PART NUMBER:                  DDSV-211B-DK10T                  DRAWING NO.                  GT26-210591                  SIZE A4                  REV. A             </td> </tr> </table>				<b>GENESIS TECHNOLOGY, INC.</b> TITLE: DDR4-288P 0.85mm Pitch DIP Ejector Type PART NUMBER: DDSV-211B-DK10T DRAWING NO. GT26-210591 SIZE A4 REV. A	
<b>GENESIS TECHNOLOGY, INC.</b> TITLE: DDR4-288P 0.85mm Pitch DIP Ejector Type PART NUMBER: DDSV-211B-DK10T DRAWING NO. GT26-210591 SIZE A4 REV. A							

PART NUMBER:

DDSV-21 1B- D K 1 0 T  
① ② ③④⑤⑥⑦

1.CONNECTOR:

DDSV-21: DDR-288P 0.85mm PITCH DIP EJECTOR TYPE

2.POSITIONS:

1B: 288 POSITIONS

3.INSULATOR MATERIAL:

D: PA66

4.INSULATOR COLORL:

K: BLACK

5.CONTACT PLATING:

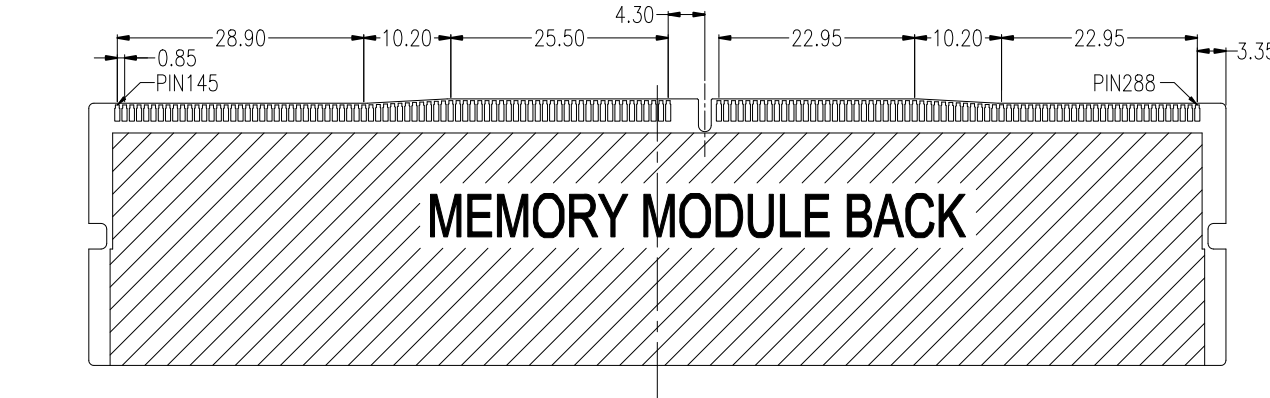
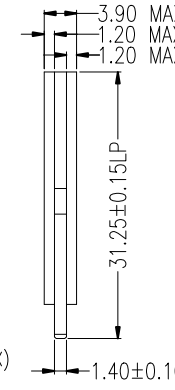
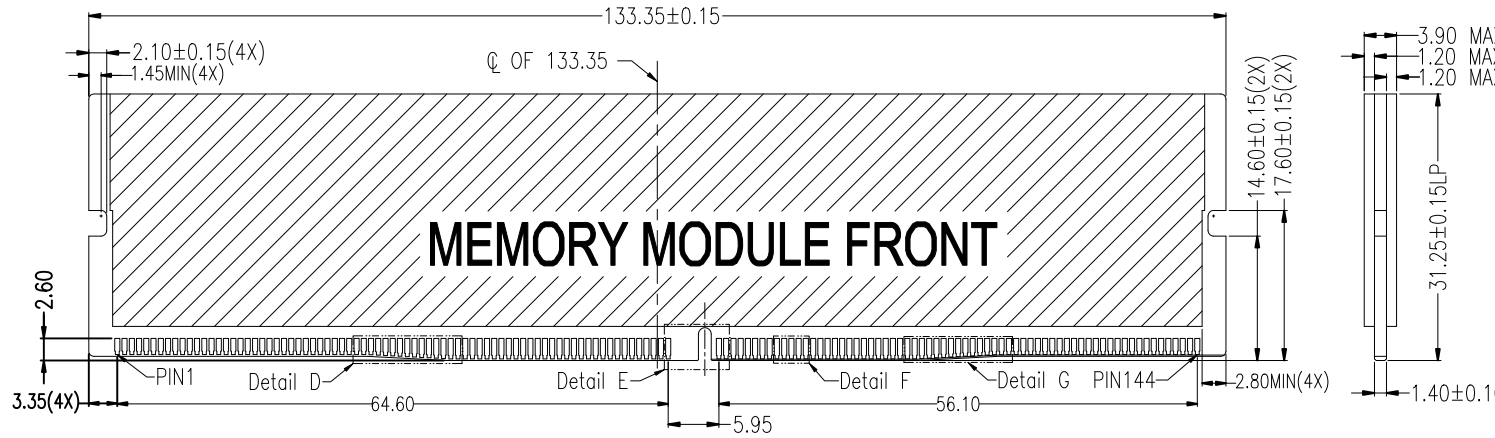
1: GOLD FLASH

6.SHIELD PLATING:

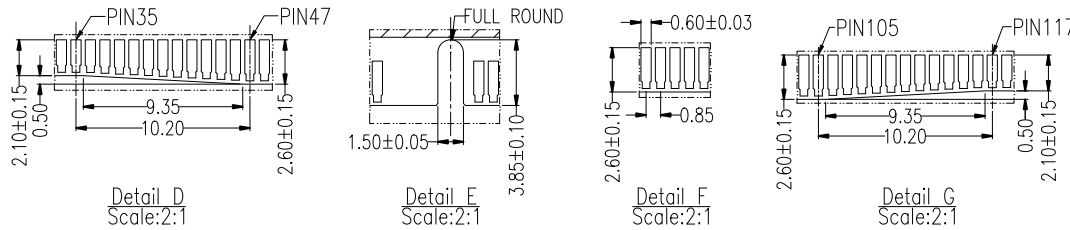
0: NONE SHIELD

7.PACKING:

T: TRAY



Recommended Memory Module Layout



NOTE:

- Contact Retention Force: 300 Grams Min. Per Pin;
- Insertion Force: 10.88Kgf Max. With Module Thickness 1.50mm;
- Unmating Force: 14gf Min. Per Pin Pair With Module Thickness 1.30mm;
- Durability: 25 cycles;
- Contact Resistance: 10mΩ Max. Initial ,Change Value to 20mΩ Max;
- Insulation Resistance: Apply 500V DC 1MΩ Min. ;
- Withstand Voltage: 500V AC.
- Solderability: Compliance with EIA-364-52,Class 2,Catgory 3;
- Vibration: Compliance with EIA-364-28;
- Humidity: Compliance with EIA-364-21;
- Thermal shock: Compliance with EIA-364-32;
- Operating Temperature: -55°C TO +85°C;
- Mechanical shock: Compliance with EIA-364-27.

GENERAL TOLERANCE X.±0.50 .X±0.40 .XX±0.30 .XXX±0.20	ANGLE TOLERANCE X°± 5.0° .X°± 3.0° .XX°± 2.0° .XXX°± 1.0°	DRAWN Sun DATE 8/28/15'	 TITLE: DDR4-288P 0.85mm Pitch DIP Ejector Type PART NUMBER: DDSV-211B-DK10T DRAWING NO. GT26-210591 SIZE A4 REV. A
MATL SEE BOM	FINISH SEE NOTES	CHECKED DATE	
SCALE N/A	UNIT mm	APPROVED River DATE 8/28/15'	
SHEET 2 OF 2			

2	TERMINAL	288	BRASS,GOLD FLASH PLATING ON CONTACT AREA,100u" TIN PLATING ON SOLDER AREA,40u" NICKEL UNDER PLATING OVERALL
1	HOUSING	1	PA66+30%GF,COLOR BLACK
ITEM	NAME	Q'TY	DESCRIPTION

UL94-V0  
NOTE