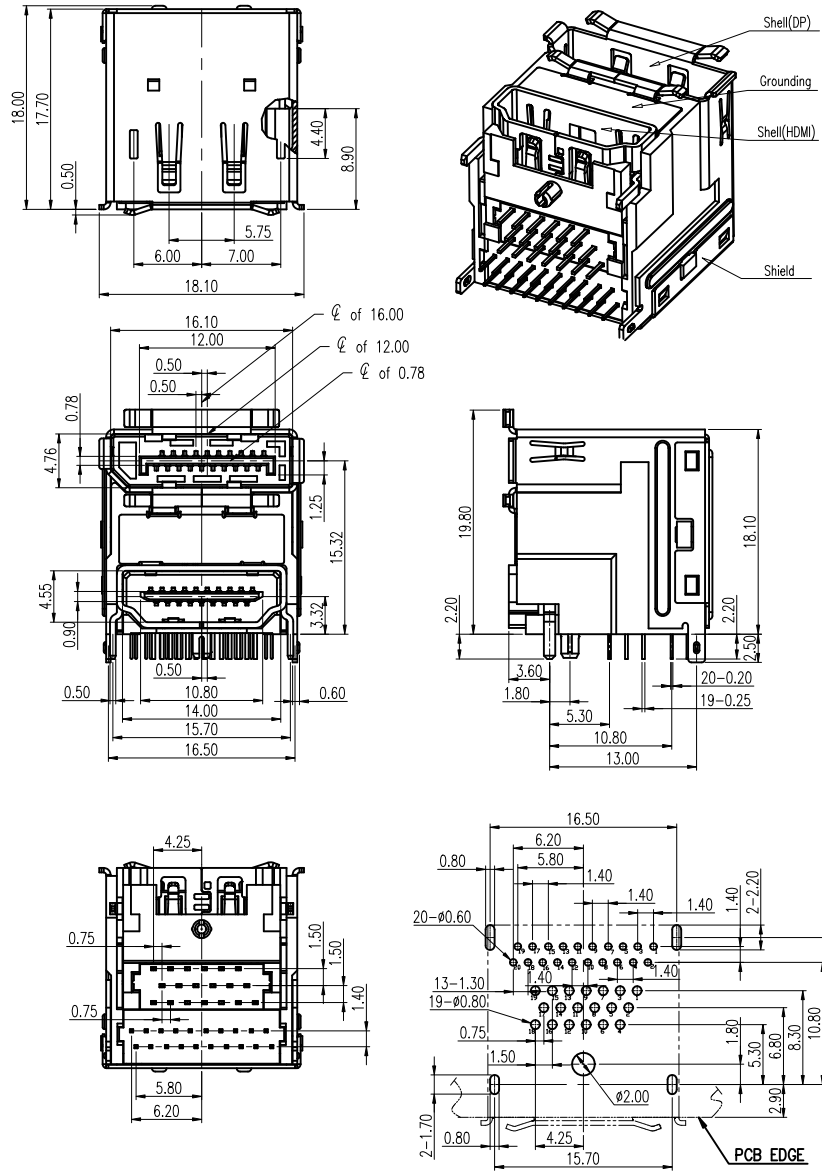


PROPRIETARY INFORMATION
COMPANY CONFIDENTIAL

REV.	ECN. NO.	DESCRIPTION	ENG	DATE
A		INITIAL	Sun	4/10/2015
B		UPDATED DRAWING	Sun	3/8/2016



RECOMMENDED P.C.B. LAYOUT
THICKNESS=1.6±0.10mm

NOTES:

- Displayport
 - 1.1 Voltage: 40 VAC(RMS) Max.
 - 1.2 Current Rating: 0.5 Ampere per Contact
 - 1.3 Contact Resistance: 30 Milliohms Max.
 - 1.4 Insulation Resistance: 100 Megohms Min.
 - 1.5 Dielectric Withstanding Voltage: 500V DC(RMS)
 - 1.6 Total Mating Force: 4.5 Kgf Max.
 - 1.7 Total Unmating Force: 1.0 Kgf Min.
 - 1.8 Operating Temperature: -25°C to +85°C
- HDMI
 - 2.1 Voltage: 40 VAC(RMS) Max.
 - 2.2 Current Rating: 0.5 Ampere per Contact
 - 2.3 Contact Resistance: 30 Milliohms Max.
 - 2.4 Insulation Resistance: 100 Megohms Min.
 - 2.5 Dielectric Withstanding Voltage: 500V DC(RMS)
 - 2.6 Total Mating Force: 4.5 Kgf Max.
 - 2.7 Total Unmating Force: 1.0 Kgf Min.
 - 2.8 Operating Temperature: -25°C to +85°C

PART NUMBER:

DPHR-20 39 - 2 K 1 3 T
① ② ③④⑤⑥⑦

1.CONNECTOR:

DPHR-20: DISPLAYPORT AND HDMI COMBO RECPTACLE
DIP TYPE CONNECTOR

2.POSITIONS:

39: 39 POSITIONS

3.INSULATOR MATERIAL:

2: PBT+LCP

4.INSULATOR COLOR:

K: BLACK

5.CONTACT PLATING:

1: GOLD FLASH

6.SHIELD PLATING:

3: NICKEL

7.PACKING:

T: TRAY

ITEM	NAME	Q'TY	DESCRIPTION	NOTE
6	GROUNDING	1	STAINLESS STEEL	
5	SHELD	1	SPCC,80u" NICKEL PLAING OVERALL	
4	SHELL(DP&HDMI)	2	BRASS,80u" NICKEL PLAING OVERALL	
3	CANTACT(DISPLAYPORT+HDMI)	20+19	BRASS,GOLD FLASH PLATING ON CONTACT AREA,100u" TIN PLATING ON SOLDER AREA,50u" NICKEL UNDER PLATING OVERALL	
2	HOUSING(DISPLAYPORT)	1	PBT+30%GF,COLOR BLACK	UI 94-V0
1	HOUSING(HDMI)	1	LCP+30%GF,COLOR BLACK	UL94-V0

GENERAL TOLERANCE X.±0.50 .X±0.38 .XX±0.25 .XXX±0.15	ANGLE TOLERANCE X°± 5.0° .X°± 3.0° .XX°± 2.0° .XXX°± 1.0°	DRAWN Sun	DATE 3/8/16'
MATL SEE BOM	FINISH SEE NOTES	CHECKED	DATE
SCALE N/A	UNIT mm	APPROVED River	DATE 3/8/16'
SHEET 1 OF 1			

GENESIS TECHNOLOGY, INC.

TITLE: DISPLAYPORT AND HDMI COMBO RECPTACLE
DIP TYPE CONNECTOR

PART NUMBER: DPHR-2039-2K13T

DRAWING NO. GT26-210453

SIZE A4
REV. B