

PROPRIETARY INFORMATION
COMPANY CONFIDENTIAL

REV.	ECN. NO.	DESCRIPTION	ENG	DATE
A		INITIAL	XL	09/04/14

Signal Define	
Pin Number	Signal Name
P1	GND
P2	A+
P3	A-
P4	GND
P5	B-
P6	B+
P7	GND

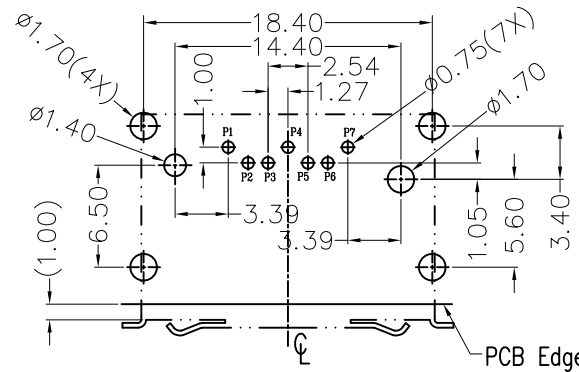
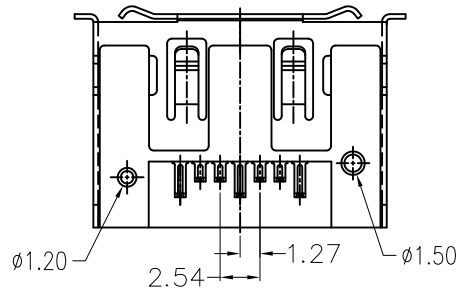
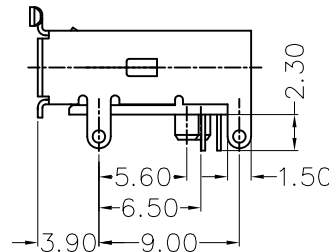
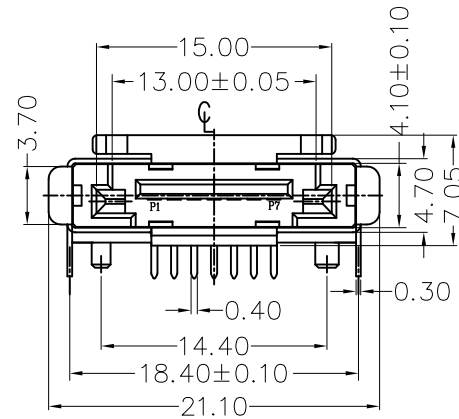
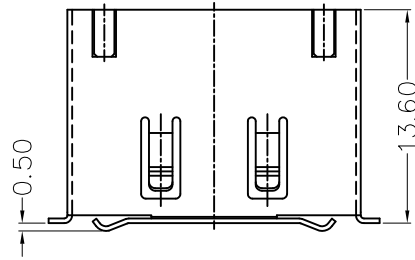
NOTES:
 Insertion Force: 4080g Max;
 Withdrawal Force: 1020g Min;
 Durability: 2500 cycles.
 Operation Voltage: 100V AC Max;
 Current Rating: 1.5 Ampere per contact;
 Contact Resistance: 30mΩ Max;
 Insulation Resistance: 1000MΩ Min;
 Dielectric Withstanding Voltage: 500V AC.
 Operating Temperature : -55°C to +125°C.

ORDER INFORMATION:

ESAR - 20 07 - B K 5 3 T

① ② ③ ④ ⑤ ⑥ ⑦

- CONNECTOR:
EASR-20 :eSATA
- POSITIONS:
07: 07 POSITIONS
- INSULATOR MATERIAL:
B: LCP
- INSULATOR COLOR:
K: BLACK
- CONTACT PLATING:
5:AU 15u" Min. PLATING ON CONTACT AREA
- SHIELD PLATING:
3 : NICKEL 40u"MIN.PLATING OVERALL
- PACKING
T: TRAY



P.C.B Layout(T=1.60mm) TOLERANCE:±0.05
COMPONENT SIDE

ITEM	NAME	Q'TY	DESCRIPTION	NOTE
3	Shell		Brass NICKEL(40u" MIN.) PLATING	
2	Contact		Brass NI 40u" MIN. UNDER PLATING OVERALL SN100u" MIN.PLATING ON SOLDER TAIL,AU SEE PART NO.	
1	HOUSING		LCP+50%GF, UL 94V-0	

GENERAL TOLERANCE		ANGLE TOLERANCE		DRAWN	DATE	
X.± 0.50	.X± 0.38	X°± 5.0°	.X°± 3.0°	梁炳亮	09/04/14	
.XX± 0.25	.XXX± 0.15	.XX°± 2.0°	.XXX°± 1.0°	CHECKED	DATE	PART NUMBER: ESAR - 2007 - B K 5 3 T
MATERIAL				APPROVED		DRAWING NO. GT23-210209 SIZE AA REV. A
FINISH				DATE		
SCALE N/A		UNIT mm		River		
SHEET 1 OF 1						