

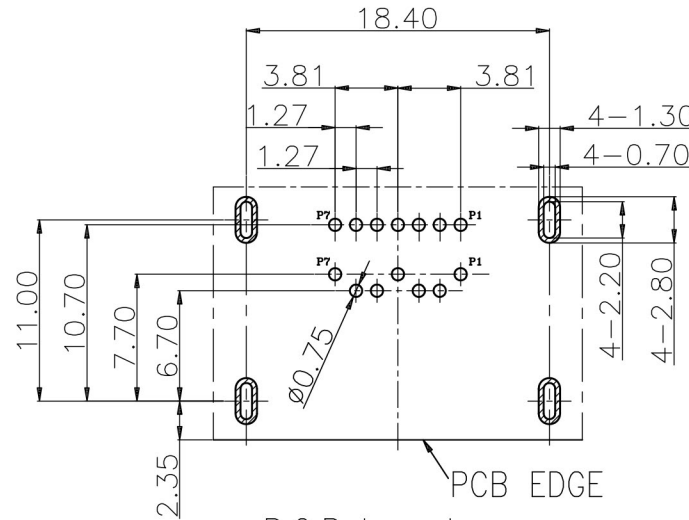
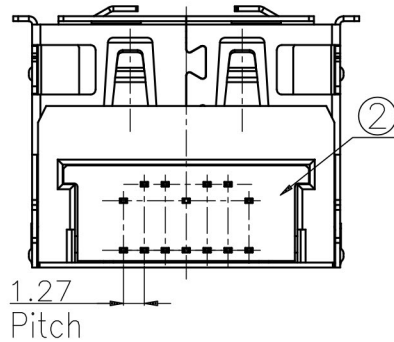
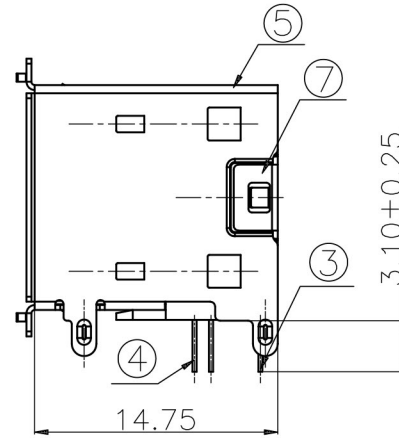
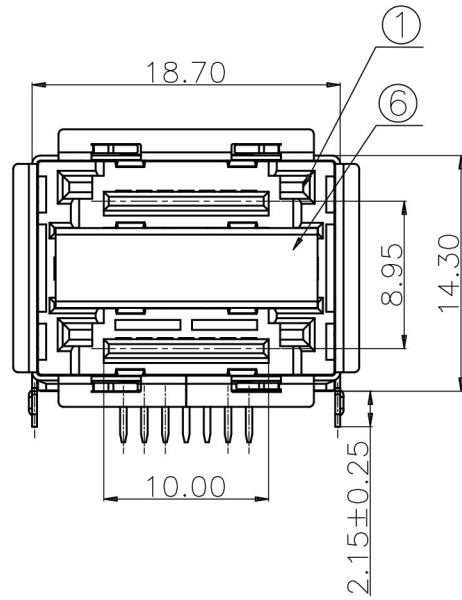
PROPRIETARY INFORMATION
COMPANY CONFIDENTIAL

REV.	ECN. NO.	DESCRIPTION	ENG	DATE
A		INITIAL	Knight	12/31/14'

ORDER INFORMATION

ESAR-21 14 - B K 1 3 T
① ② ③ ④ ⑤ ⑥ ⑦

- TYPE:
ESAR-21:DOUBLE E_SATA MALE 90°DIP TYPE
- POSITIONS:
14: 14 POSITIONS
- INSULATOR MATERIAL:
B: LCP
- INSULATOR COLOR:
K: BLACK
- CONTACT PLATING:
1: GOLD FLASH
- SHIELD PLATING:
3: NICKEL PLATING
- PACKING
T: TRAY



P.C.B Layout
Tolerances: ±0.05

ITEM	NAME	Q'TY	DESCRIPTION	NOTE	GENERAL TOLERANCE	ANGLE TOLERANCE	DRAWN	DATE	GENESIS TECHNOLOGY, INC.			
6	BACK SHELL	1	SPCC, NICKEL 50u" MIN PLATING		X ± 0.50	X° ± 5.0°	<i>knighe</i>	12/31/14'	TITLE			
5	MIDDLE SHELL	1	SUS, NICKEL 50u" MIN PLATING		.X ± 0.38	.X° ± 3.0°			Double E_SATA Male 90°DIP Type			
4	SHELL	1	BRASS, NICKEL 50u" MIN PLATING		.XX ± 0.25	.XX° ± 2.0°	CHECKED	DATE	PART NUMBER.			
3	CONTACT	14	BRASS, GOLD FLASH PLATING ON CONTACT AREA, TIN 100u" MIN PLATING SOLDER AREA, NICKEL 50u" MIN UNDER PLATING OVERALL		.XXX ± 0.15	.XXX° ± 1.0°			ESAR-2114-BK13T			
2	COVER	1	LCP+30%G.F	BLACK, UL94 V-0	MATERIAL SEE BOM				DRAWING NO.			
1	HOUSING	1	LCP+30%G.F	BLACK, UL94 V-0	FINISH SEE NOTES				ESAR-2114-BK13T			
					SCALE	N/A	UNIT	mm	APPROVED	DATE	SIZE	A4
					SHEET	1 OF 1			<i>River</i>	12/31/14'	REV.	A