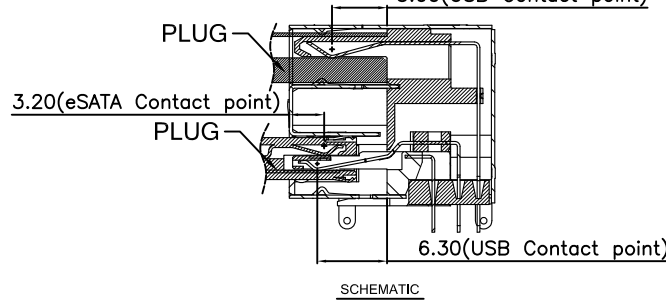
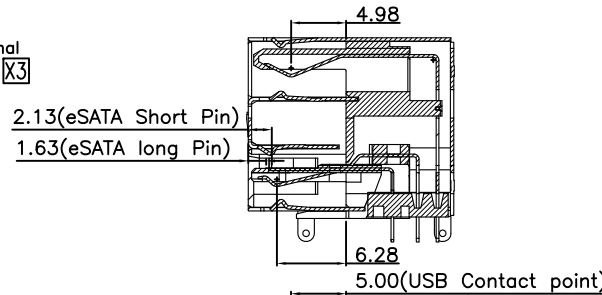
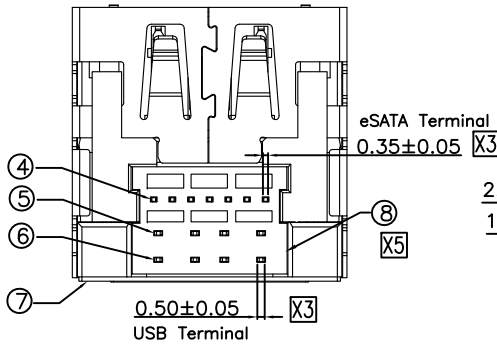


PIN LENGTH	X=2.0mm
PIN LENGTH	X=2.4mm



Contact Number	Signal Name
1	GND
2	A+
3	A-
4	GND
5	B-
6	B+
7	GND
8	VBUS
9	D-
10	D+
11	GND
12	VBUS
13	D-
14	D+
15	GND

REV.	ECN. NO.	DESCRIPTION	ENG	DATE
X1		ISSUED	Terry	12/23/13'
X2		ADD P/N OPTION	Terry	12/26/13'
X3		ADD PIN WIDTH AND THICKNESS	Terry	12/31/13'
X4		ADD ESATAP COLOR	Terry	01/08/14'
X5		REVISED DRAWING	Terry	02/06/14'
X6		REVISED DRAWING	Terry	02/07/14'
X7		ADD CONTACT PLATING OPTION	Daniel	02/19/14'
X8		ADD PIN NUMBERS	Terry	02/24/14'
X9		ADD PIN FUNCTION	Terry	02/26/14'
X10		REVISED USB CONTACT PIONT POSITION	Mike	03/31/14'
X11		ADD ELECTRICAL SPECIFICATION	Terry	05/04/14'
X12		ADD NOTES 5	AXL	05/09/14'
X13		MODIFY eSATAP SHAPE	Mike	05/26/14'
X14		MODIFY eSATAP SHAPE	Mike	07/30/14'
X15		MODIFY INSULATOR COLOR OPTION	Daniel	08/22/14'
X16		ADD SCHEMATIC	Terry	09/17/14'
X17		INSULATOR COLOR CHANGE AND PLASTIC UPDATE	Daniel	11/22/14'

ORDER INFORMATION:

ESUR - \*\* 15 - B \* \* 3 T 01

① ② ③ ④ ⑤ ⑥ ⑦ ⑧

1. CONNECTOR:

ESUR: USB+ESATAP CONNECTOR

2. TYPE:

- 2L: USB+ESATAP DIP TYPE, PIN LENGTH 2.0mm.
- 2G: USB+ESATAP DIP TYPE, PIN LENGTH 2.4mm.
- 2M: ESATAP DIP TYPE, PIN LENGTH 2.0mm.
- 2H: ESATAP DIP TYPE, PIN LENGTH 2.4mm.
- 2N: USB+ESATA DIP TYPE, PIN LENGTH 2.0mm.
- 2J: USB+ESATA DIP TYPE, PIN LENGTH 2.4mm.
- 2P: DUAL USB DIP TYPE, PIN LENGTH 2.0mm.
- 2K: DUAL USB DIP TYPE, PIN LENGTH 2.4mm.

3. POSITIONS:

15: 15 POSITIONS

4. INSULATOR MATERIAL:

B: LCP

X6 5. INSULATOR COLOR:

K: BLACK, (FOR ESUR-2N15&ESUR-2J15&ESUR-2P15&ESUR-2K15)

X15 X17 D: USB PORT:BLACK; eSATA(p) TONGUE: BROWN 731C

(FOR ESUR-2L15&ESUR-2G15&ESUR-2M15&ESUR-2H15)

6. CONTACT PLATING:

1: GOLD 1u".

X7 H: GOLD 2u".

8: GOLD 6u".

7. SHIELD PLATING:

3: NICKEL PLATED

8. PACKING:

T: TRAY

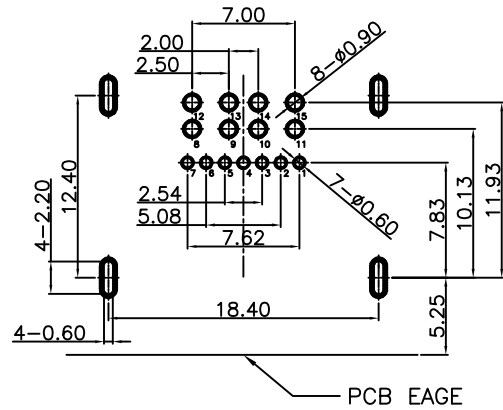
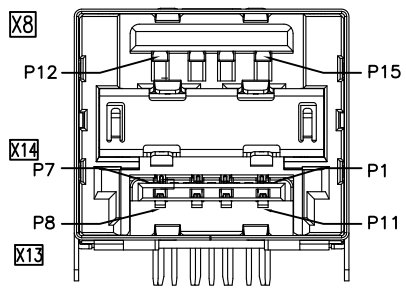
NOTES: X11

ELECTRICAL SPECIFICATION

- CURRENT RATING: 1.5A
- VOLTAGE RATING: 30V Max.
- INSULATION RESISTANCE: 1000MΩ Min
- DIELECTRIC WITHSTANDING VOLTAGE:500VAC for 1 MINUTE
- X12 5. 7kg PULL FORCE WHEN USED WITH GENESIS LATCHING PLUG GT23-500249.

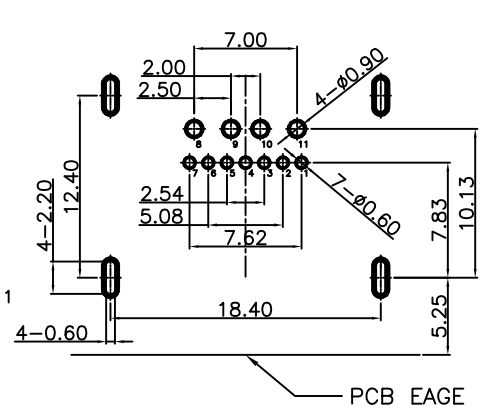
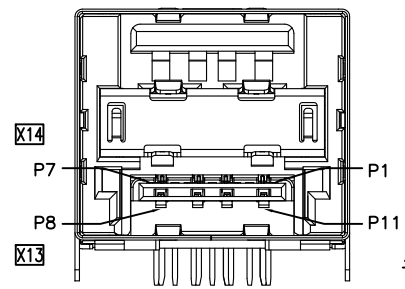
ITEM	NAME	Q'TY	MATERIAL	NOTE
9	ESATA(P) HOUSING	1	LCP	SEE ORDER INFORMATION X6
8	SPACER	1	LCP	UL94V-0, Black
7	BACK SHELL	1	STEEL T=0.30mm X3	NICKEL PLATING
6	USB LONG CONTACT	4	COPPER ALLOY T=0.25mm X3	GOLD PLATED ON CONTACT AREA;
5	USB SHORT CONTACT	4	COPPER ALLOY T=0.25mm X3	TIN PLATING ON SOLDER TAIL AREA;
4	ESATA CONTACT	7	COPPER ALLOY T=0.25mm X3	UNDER PLATING NICKEL ALL OVER
3	MIDDLE SHELL	1	SUS T=0.30mm X3	NONE PLATING
2	HOUSING	1	LCP	UL94V-0, BLACK
1	OUT SHELL	1	SUS T=0.30mm X3	NICKEL PLATING

GENERAL TOLERANCE	ANGLE TOLERANCE	DRAWN	DATE	GENESIS TECHNOLOGY, INC
X± .X ± 0.38 .XX ± 0.25 .XXX ± 0.15	X°± .X°± .XX°± .XXX°±	Terry	12/23/13'	
MATL	SEE BOM	CHECKED	DATE	PART NUMBER. ESUR-***15-B**3T01
FINISH	SEE BOM	APPROVED	DATE	DRAWING NO. GT20-250156
SCALE	N/A	SHEET 1 OF 2		SIZE A4 REV X17



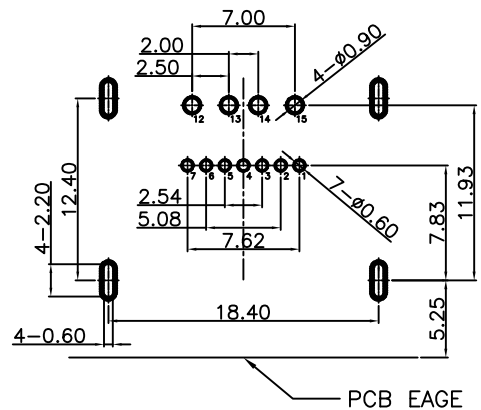
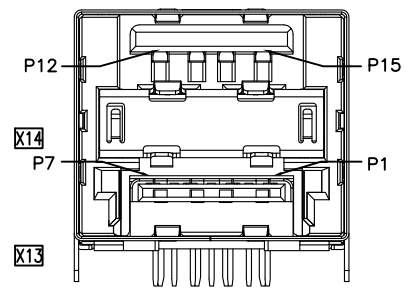
Recommended PCB Layout  
Tolerance=±0.05

ESUR-2L15&ESUR-2G15: USB+ESATAP



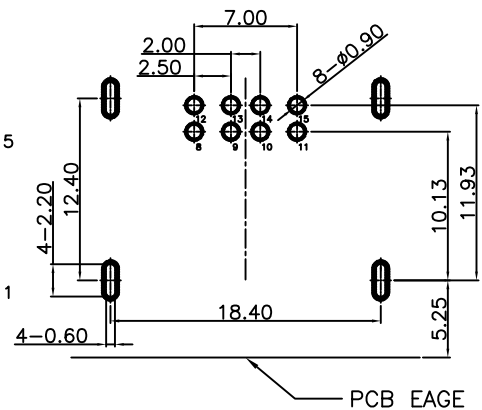
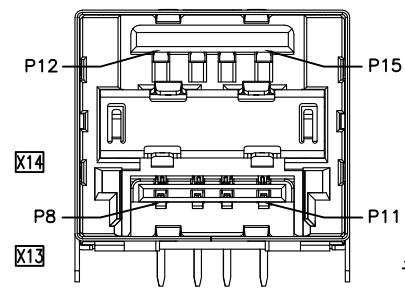
Recommended PCB Layout  
Tolerance=±0.05

ESUR-2M15&ESUR-2H15: ESATAP



Recommended PCB Layout  
Tolerance=±0.05

ESUR-2N15&ESUR-2J15: USB+ESATA



Recommended PCB Layout  
Tolerance=±0.05

ESUR-2P15&ESUR-2K15: DUAL USB

PART NO.	ESUR-**15-B**3T01	SHEET	REVISION
DWG NO.	GT20-250156	2 OF 2	SEE SHEET 1