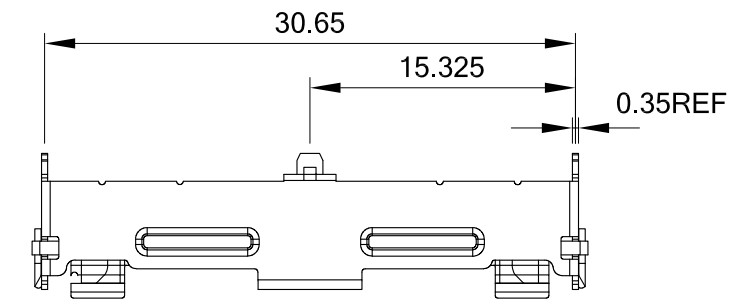


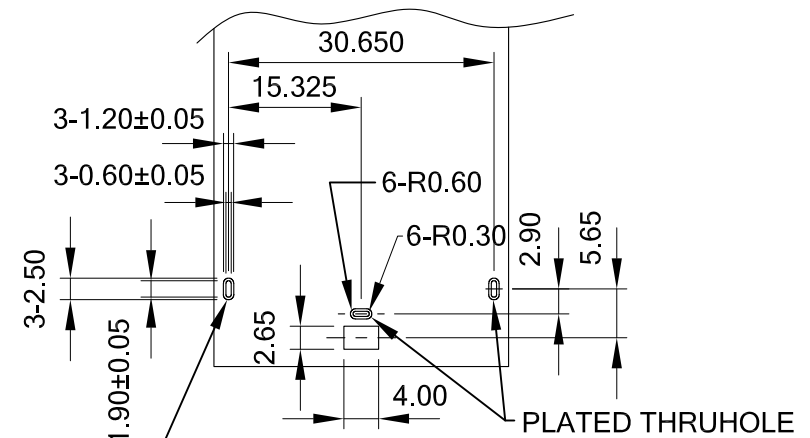
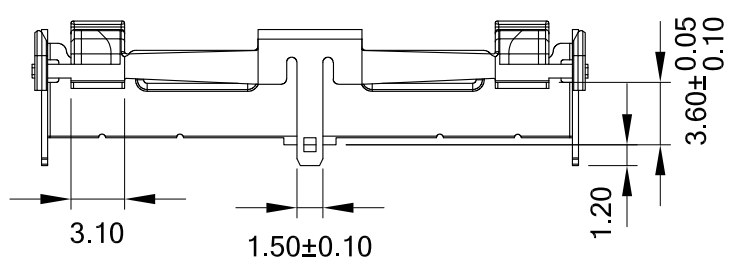
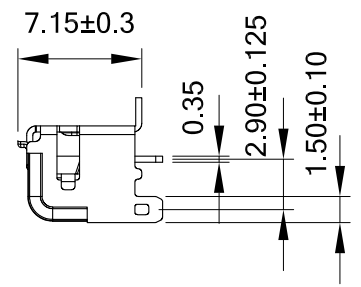
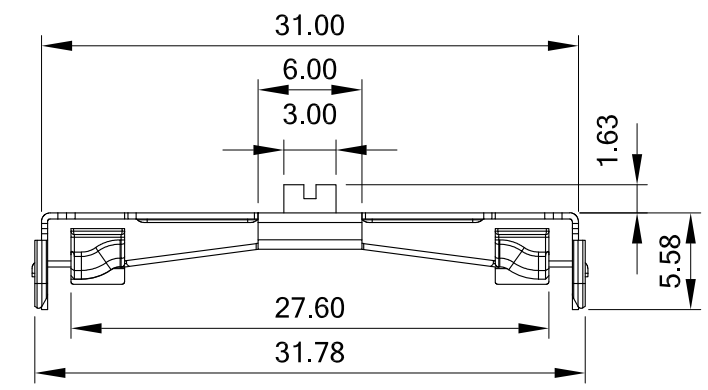
REV.	ECN. NO.	DESCRIPTION	ENG	DATE
A		RELEASED FOR PRODUCTION	AXL	11/30/11'
B		Modify Packing Material	Jesse	06/29/12'

LATCH WITHOUT CAP



NOTES:

1. MATERIAL: STAINLESS STEEL
FINISH: 30u" min. Tin PLATING OVER 30u" min. Ni UNDER-PLATING.
2. RoHS 6/6 COMPLIANT.



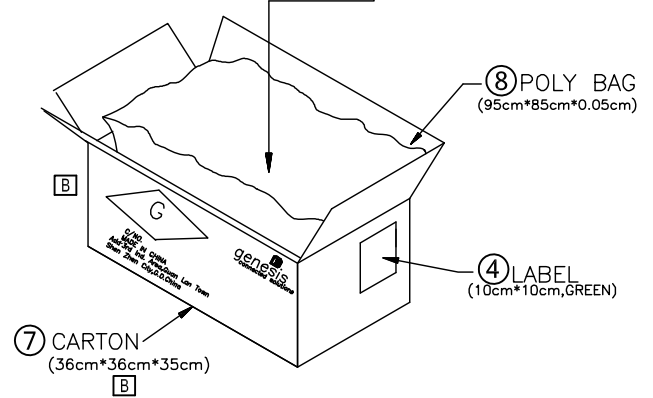
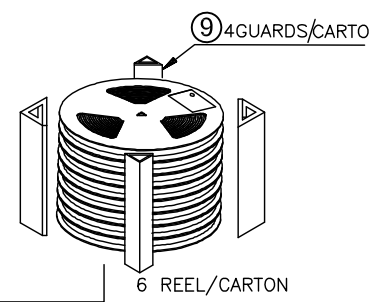
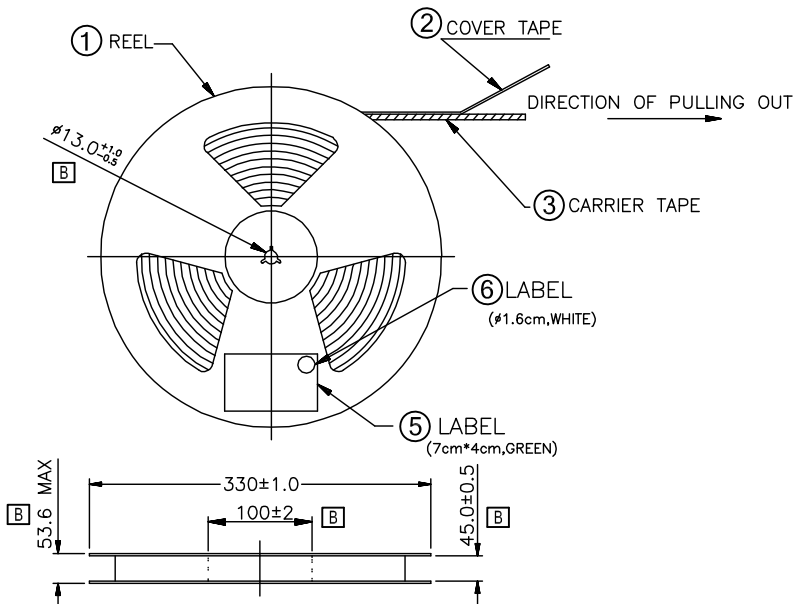
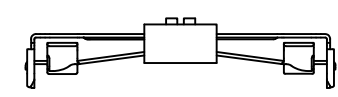
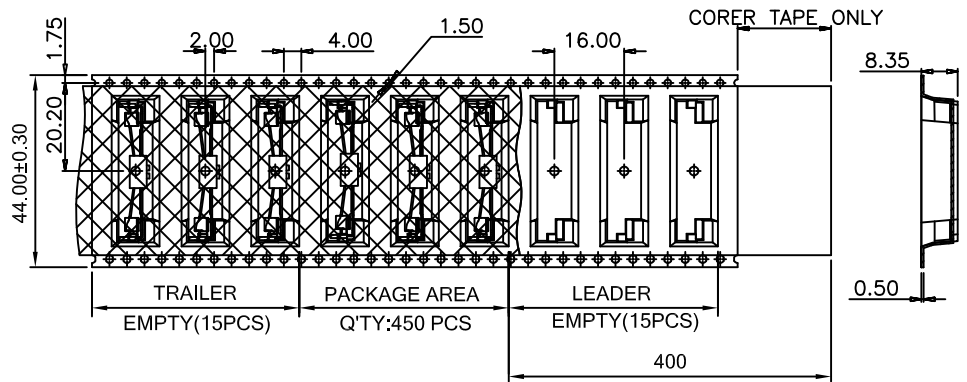
RECOMMEND PCB LAYOUT
TOLERANCE: ±0.05mm

PLATED THRUHOLE

GENERAL TOLERANCE X. \pm 0.5 .X \pm 0.38 .XX \pm 0.25 .XXX \pm 0.125	ANGLE TOLERANCE X° \pm 2° .X° \pm 1° .XX° \pm .XXX° \pm	DRAWN AXL	DATE 11/30/11'	
MATL SEE NOTES	FINISH SEE NOTES	CHECKED	DATE	
SCALE N/A	UNIT mm	APPROVED	DATE	PART NUMBER. GT14-300203
SHEET OF				DRAWING NO. GT14-300203
				SIZE A4 REV. B

ITEM	NAME	QTY	MATERIAL	PLATING & COLOR	NOTE
1					

REV.	ECN. NO.	DESCRIPTION	ENG	DATE
		SEE SHEET 1		



9	GUARD	4 GUARD/CARTON	
8	POLY BAG	1 BAG/CARTON	
7	CARTON	CARTON/6 REEL/2700PCS	
6	LABEL	1 LABEL/REEL	
5	LABEL	1 LABEL/REEL	
4	LABEL	1 LABEL/CARTON	
3	CARRIER TAPE	W=44 mm	
2	COVER	W=37.5 mm	
1	REEL	H=53.6 MAX. [B]	
NO.	MATERIAL	REMARKS	

GENERAL TOLERANCE X,±0.5 .X,±0.38 .XX,±0.25 .XXX,±	ANGLE TOLERANCE X°±2° .X°±1° .XX°± .XXX°±	DRAWN AXL	DATE 11/30/11'	
MATERIAL SEE NOTES		CHECKED	DATE	
FINISH SEE NOTES		PART NUMBER GT14-300203		DRAWING NO. GT14-300203
SCALE N/A	UNIT mm	APPROVED	DATE	