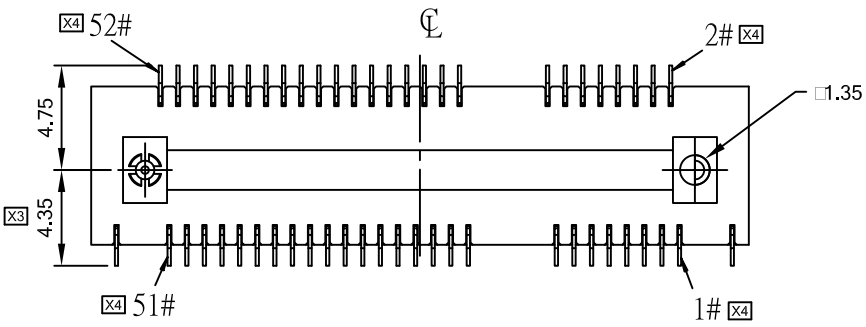
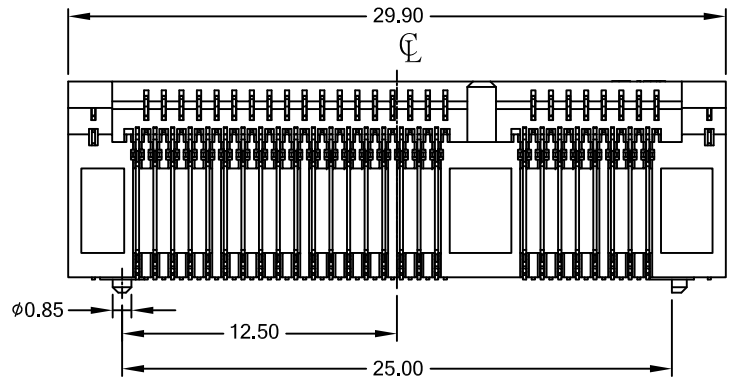
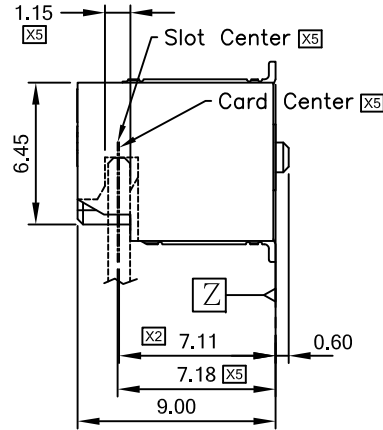
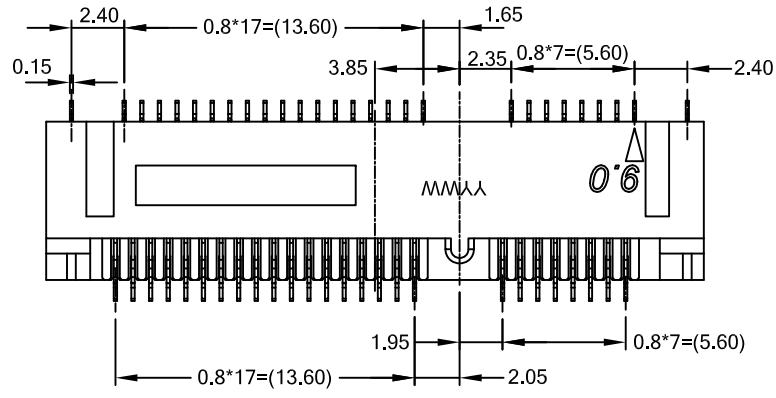


PROPRIETARY INFORMATION
COMPANY CONFIDENTIAL

REV.	ECN. NO.	DESCRIPTION	ENG	DATE
X1		INITIAL	AXL	11/22/11'
X2		ADD DIMENSION	Jesse	01/30/13'
X3		ADD P/N OPTION & CORRECT TYPO	Jesse	02/06/13'
X4		CORRECT PIN ASSIGNMENT	Jesse	02/20/13'
X5		ADD DIMENSIONS	Jesse	03/01/13'
X6		ADD ELECTRICAL CHARACTERISTICS	Sun	08/21/14'

NOTES:

- [X5] 1. VOLTAGE RATING:50 VAC
- 2. CURRENT RATING 0.5 Amps
- 3. TEMPERATURE RATING: -40°C TO 80°C
- 4. CONTACT RESISTANCE: 55 mΩ Max INITIAL AND 75 mΩ Max AFTER TEST
- 5.INSULATION RESISTANCE:500MΩ Min
- 6.DIELECTRIC WITHSTANDING VOLTAGE:300V AC,1 mA Max LEAKAGE
- 7.TEMPERATURE RISE:30°C Max
- 8.PIN TO PIN DIFFERENTIAL IMPEDANCE:100 ohm±15%(Measurement BW = 5.7GHz)
- 9.SINGLE ENDED PIN IMPEDANCE:50 ohm±15%
- 10. SOLDER TAIL TO BE WITHIN 0.05 UPWARD AND 0.2 DOWNWARD FROM Z-DATUM PLACE, AND COPLANARITY OF SOLDER TAILS TO BE WITHIN 0.10. MEASUREMENT POINT IS SOLDER TAILS TIP.
- 11. MATERIAL:
BASE: LCP, UL94V-0, BLACK COLOR.
TERMINAL: COPPER ALLOY.
- 12. FINISH:
TERMINAL: GOLD PLATING ON CONTACT AREA,
GOLD FLASH ON SOLDER TAIL,
NICKEL 50u" UNDERPLATING.
- 13. RoHS COMPLIANT.
- [X3] ORDER INFORMATION:
GT14-300239- X
①
1. CONTACT PLATING
1: 10u" GOLD
2: GOLD FLASH

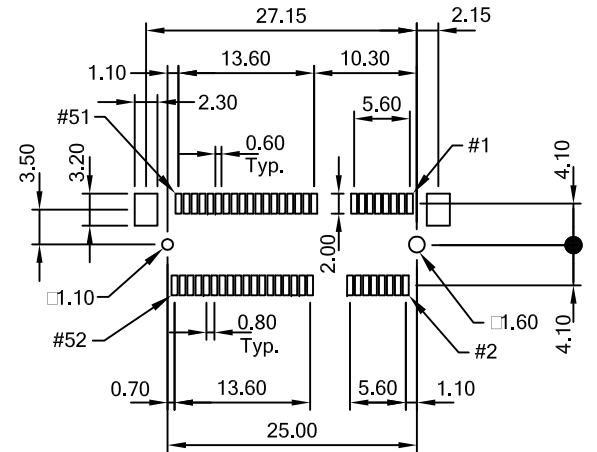
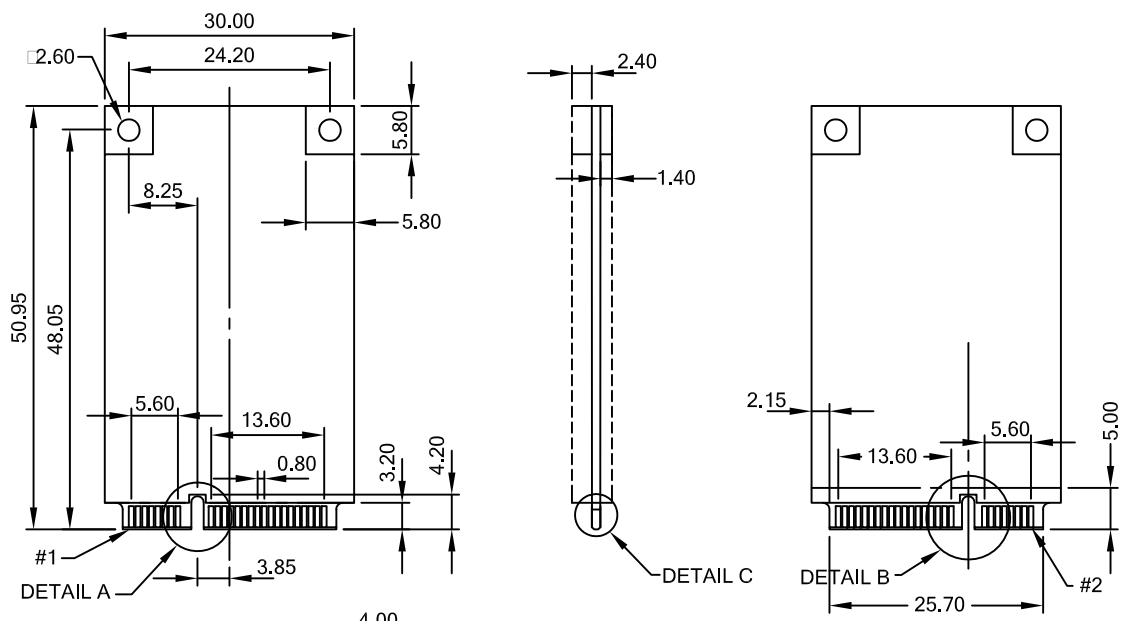


GENERAL TOLERANCE X.± .X±0.40 .XX±0.30 .XXX±0.20	ANGLE TOLERANCE X°± .X°± .XX°± .XXX°±	DRAWN Sun 08/21/14'	DATE 08/21/14'	 TITLE: MINI PCI EXPRESS 9.0mm
MATL SEE BOM		CHECKED	DATE	
FINISH SEE NOTES		APPROVED River 08/21/14'		DRAWING NO. GT14-300239
SCALE N/A	UNIT mm	SHEET 1 OF 2		SIZE A4 REV. X6

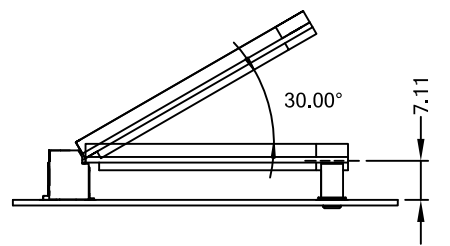
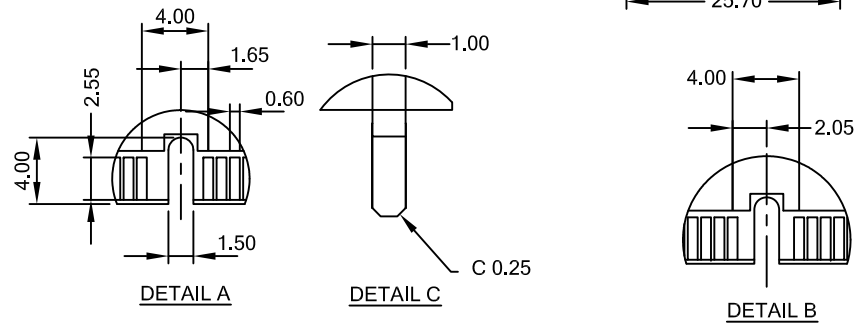
ITEM	NAME	Q'TY	DESCRIPTION	NOTE
1				
2				
3				
4				
5				

PROPRIETARY INFORMATION
COMPANY CONFIDENTIAL

REV.	ECN. NO.	DESCRIPTION	ENG	DATE
		SEE SHEET 1		



RECOMMEND PCB LAYOUT



GENERAL TOLERANCE X.± .X±0.40 .XX±0.30 .XXX±0.20	ANGLE TOLERANCE X°± .X°± .XX°± .XXX°±	DRAWN Sun 08/21/14'	DATE 08/21/14'	 TITLE: MINI PCI EXPRESS 9.0mm PART NUMBER: GT14-300239-X	
MATL SEE BOM	FINISH SEE NOTES	CHECKED	DATE		PART NUMBER: GT14-300239-X
SCALE N/A	UNIT mm	APPROVED River 08/21/14'	DATE 08/21/14'	DRAWING NO. GT14-300239	SIZE A4 REV. X6
SHEET 2 OF 2					