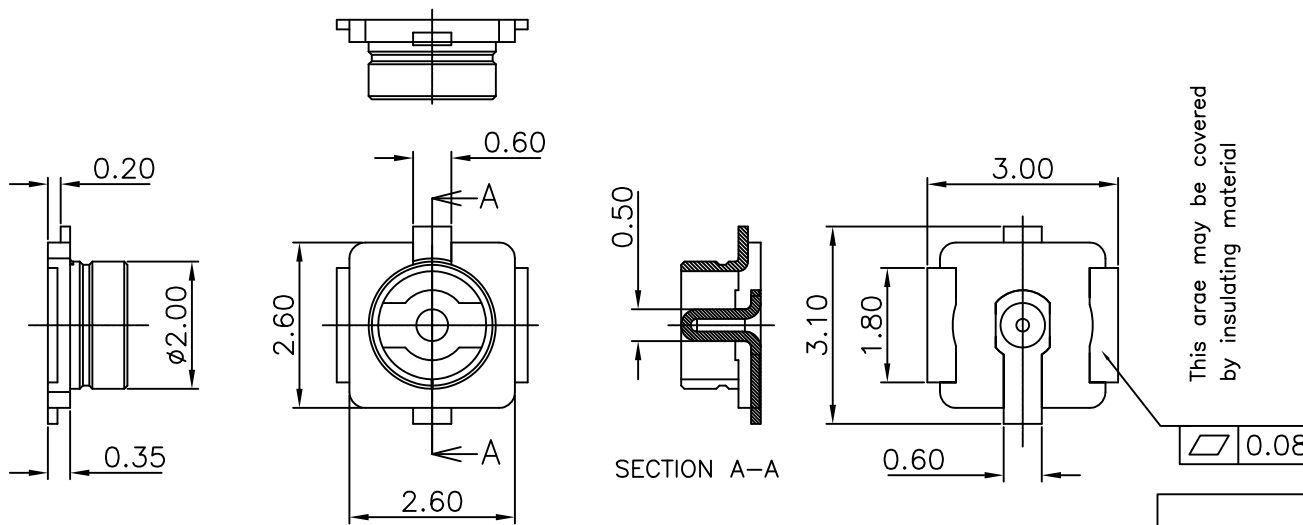
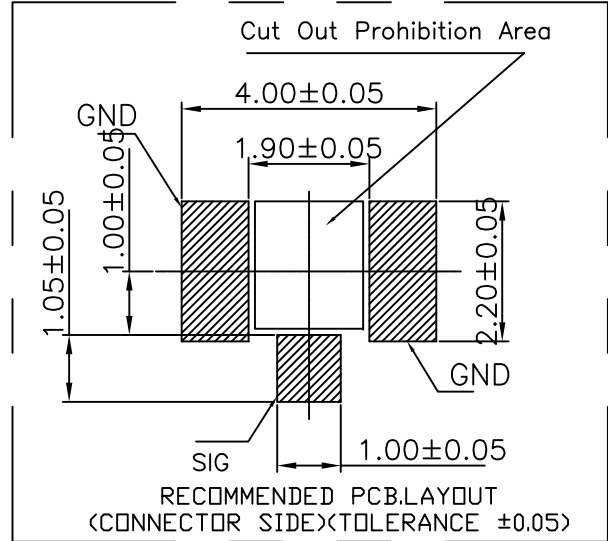


REV.	ECN. NO.	DESCRIPTION	ENG	DATE
A		INITIAL RELEASE FROM X2	Jeff	06/20/12'
B		ADDED PLATING OPTION, MODIFIED PART NUMBER	Jeff	07/15/13'
C		ASSIGNED PART NUMBER	AXL	10/26/14'
D		ADD NOTES 8 AND EDITED PART NUMBER	AXL	4/20/16'

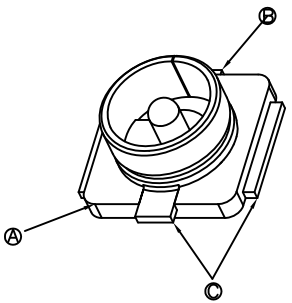


- NOTES:
1. Rated Voltage: 60V AC
 2. Frequency Range: 0~6GHz
 3. Impedance: 50 Ω
 4. Operating Temperature: -40°C ~ +90°C
 5. Voltage Standing Wave Ratio (VSWR):
 - 1.2 max. at 0~3GHz
 - 1.3 max. at 3~6GHz
 6. Durability: 100 cycles
 7. Packing: Tape & Reel
 8. Power Rating: 2.5 watts at 5GHz. D



D PART. NUMBER
B C GT17-200156-X

SHELL PLATING OPTION:
 G: GOLD FLASH
 S: SILVER 30u" min. PLATING



ITEM	NAME	QTY	DESCRIPTION	MATERIAL	NOTE
C	SHELL	1		C5191	Refer to PART NUMBER, OVER Ni 30u" min.
B	CONTACT	1		C5191	Au 5u" min. on CONTACT AREA and Au 1u" on SOLDER TAIL BOTH OVER Ni 30u" min.
A	HOUSING	1		LCP+30%GF	Color: Black, UL94V-0

GENERAL TOLERANCE X \pm .X \pm 0.38 .XX \pm 0.25 .XXX \pm 0.15	ANGLE TOLERANCE X° \pm .X° \pm .XX° \pm .XXX° \pm	DRAWN AXL	DATE 04/20/16'		TITLE COAXIAL CONNECTOR
MATL SEE BOM	FINISH SEE BOM	CHECKED	DATE		PART NUMBER D GT17-200156-X
SCALE N/A	UNIT mm	APPROVED	DATE	DRAWING NO. GT17-200156	SIZE A4 REV. D
SHEET 1 OF 1					