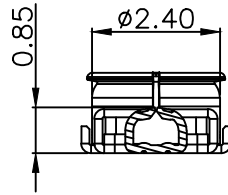
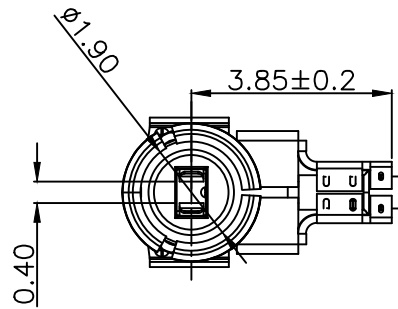
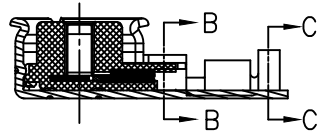


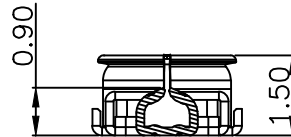
REV.	ECN. NO.	DESCRIPTION	ENG	DATE
X1		INITIAL	Jeff	07/05/12'
X2		UPDATED BOM	Jeff	07/06/12'



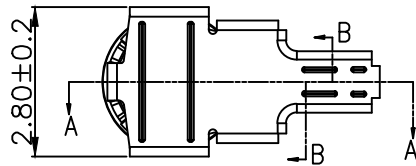
SECTION B-B



SECTION A-A



SECTION C-C



NOTES:

- TECHNOLOGY PARAMETER:  
 VOLTAGE RATING: 60V AC (r.m.s)  
 FREQUENCY RANGE: 0~6 GHz  
 NOMINAL CHARACTERISTIC IMPEDANCE: 50 OHMS  
 OPERATING TEMPERATURE: -25°C TO +70° C
- ELECTRIC PERFORMANCE:  
 INSULATION RESISTANCE: 500MΩ MIN.  
 CONTACT RESISTANCE: 30mΩ MAX.  
 DIELECTRIC WITHSTANDING VOLTAGE: 200V AC FOR 1 MINUTE  
 VSWR: <= 1.4@ 0~6 GHz
- MECHANISM PERFORMANCE:  
 DURABILITY: 30 CYCLES
- RoHS 6/6 COMPLIANT

X2

ITEM	NAME	Q'TY	DESCRIPTION	MATERIAL	FINISH / COLOR	NOTE
3	SHELL	1		PHOSPHOR BRONZE	Ag 3u" MIN. PLATING OVER Ni 30u" MIN. PLATING	
2	TERMINAL	1		PHOSPHOR BRONZE	Au 3u" MIN. PLATING OVER Ni 50u" MIN. PLATING	
1	HOUSING	1		PBT+20%G.F.	COLOR BLACK	UL 94V-0

GENERAL TOLERANCE X± 0.50 .X± 0.35 .XX± 0.25 .XXX±	ANGLE TOLERANCE X°± 2.0° .X°± 1.0° .XX°± 0.5° .XXX°±	DRAWN Jeff	DATE 07/06/12'
MATERIAL SEE BOM		CHECKED	DATE
FINISH SEE NOTES		APPROVED	DATE
SCALE N/A		UNIT mm	
SHEET 1 OF 1			

DESIGN	DATE
PART NUMBER: GT17-200229	
DRAWING NO. GT17-200229	

PRELIMINARY  
NOT RELEASED

TITLE:  
U.FL CONNECTOR

SIZE A4  
REV. X2