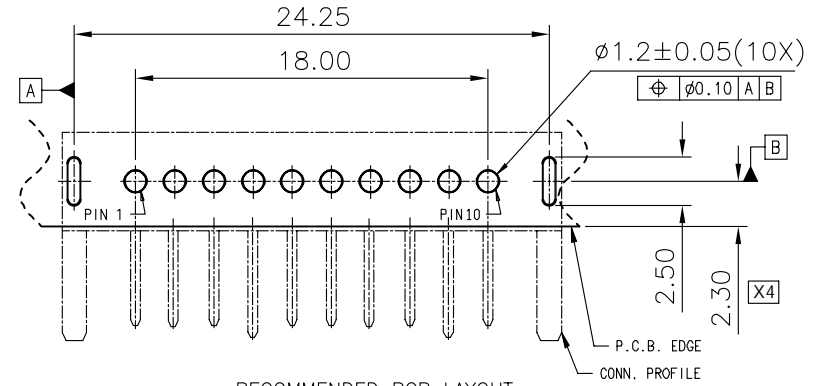
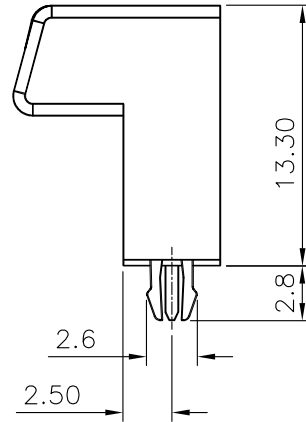
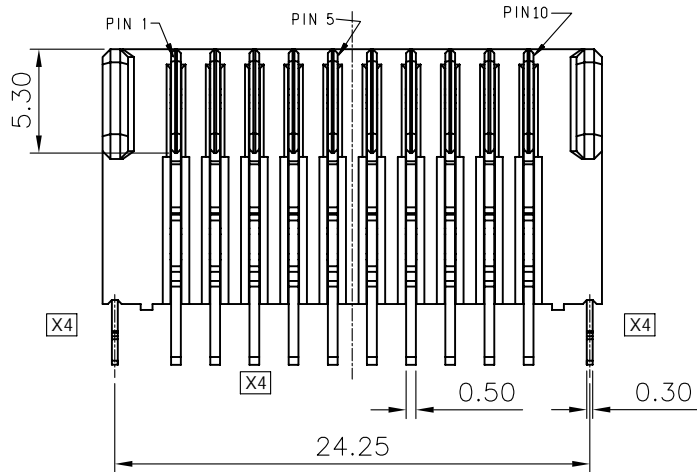
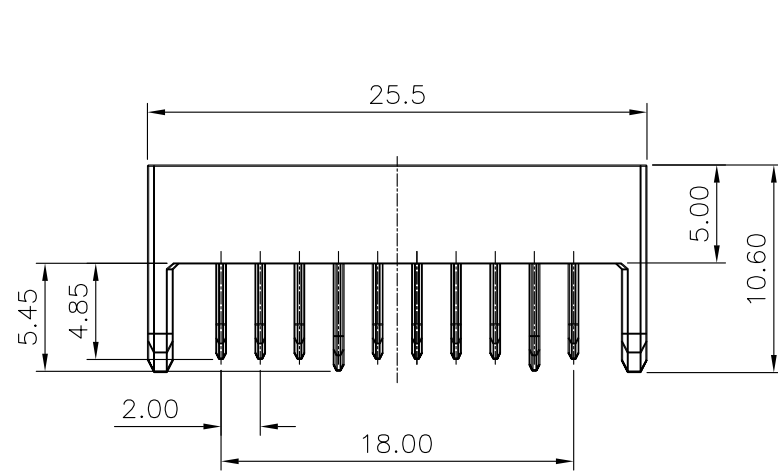


REV.	ECN. NO.	DESCRIPTION	ENG	DATE
X1		ISSUED	Jesse	07/08/13'
X2		Modify Notes	Jesse	11/06/13'
X3		Modify Notes	Jesse	11/22/13'
X4		Update Drawing	Jesse	12/17/13'



RECOMMENDED PCB LAYOUT
TOLERANCE: ± 0.05

X2 NOTES:

MATERIAL

HOUSING: PA46+15%GF, UL 94V-0, BLACK

CONTACT: BRASS

6u" GOLD PLATING ON CONTACT AREA,
80u" TIN PLATING ON SOLDER TAIL,
50u" NICKEL UNDER-PLATED OVERALL.

BOARD LOCK: BRASS

80u" TIN OVER 50u" NICKEL PLATING.

ELECTRICAL

CONTACT RESISTANCE: 30m OHMS MAX.

INSULATION RESISTANCE: 100M OHMS MIN.

DIELECTRIC WITHSTANDING VOLTAGE: 500V AC

MECHANICAL

MATING FORCE: 0.18~1.5 Kgf

UN-MATING FORCE: 0.15~1.2 Kgf

DURABILITY: 5000 CYCLES

X3

SALT SPRAY TEST: 12 HOURS AT SALT RATIO 5% AND 35°C

RATING

VOLTAGE RATING: 30V DC

CURRENT RATING: 7A

OPERATION TEMPERATURE: -30°C TO +85°C

GENERAL TOLERANCE X.± .X± 0.38 .XX± 0.25 .XXX± 0.15	ANGLE TOLERANCE ±5°	DRAWN Jesse	DATE 12/17/13'		TITLE: 10PIN BATTERY CONN. H=13.3mm, Dip Type
		DESIGN	DATE		
MATL. SEE NOTES		CHECKED	DATE	PART NUMBER. GT20-200213	
FINISH SEE NOTES		APPROVED	DATE	DRAWING NO. GT20-200213	
SCALE N/A	UNIT mm			SIZE A4	REV. X4
SHEET 1 OF 1					