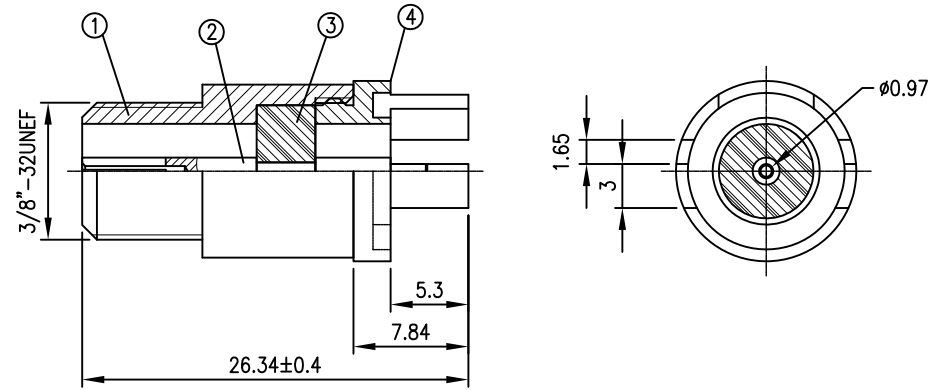


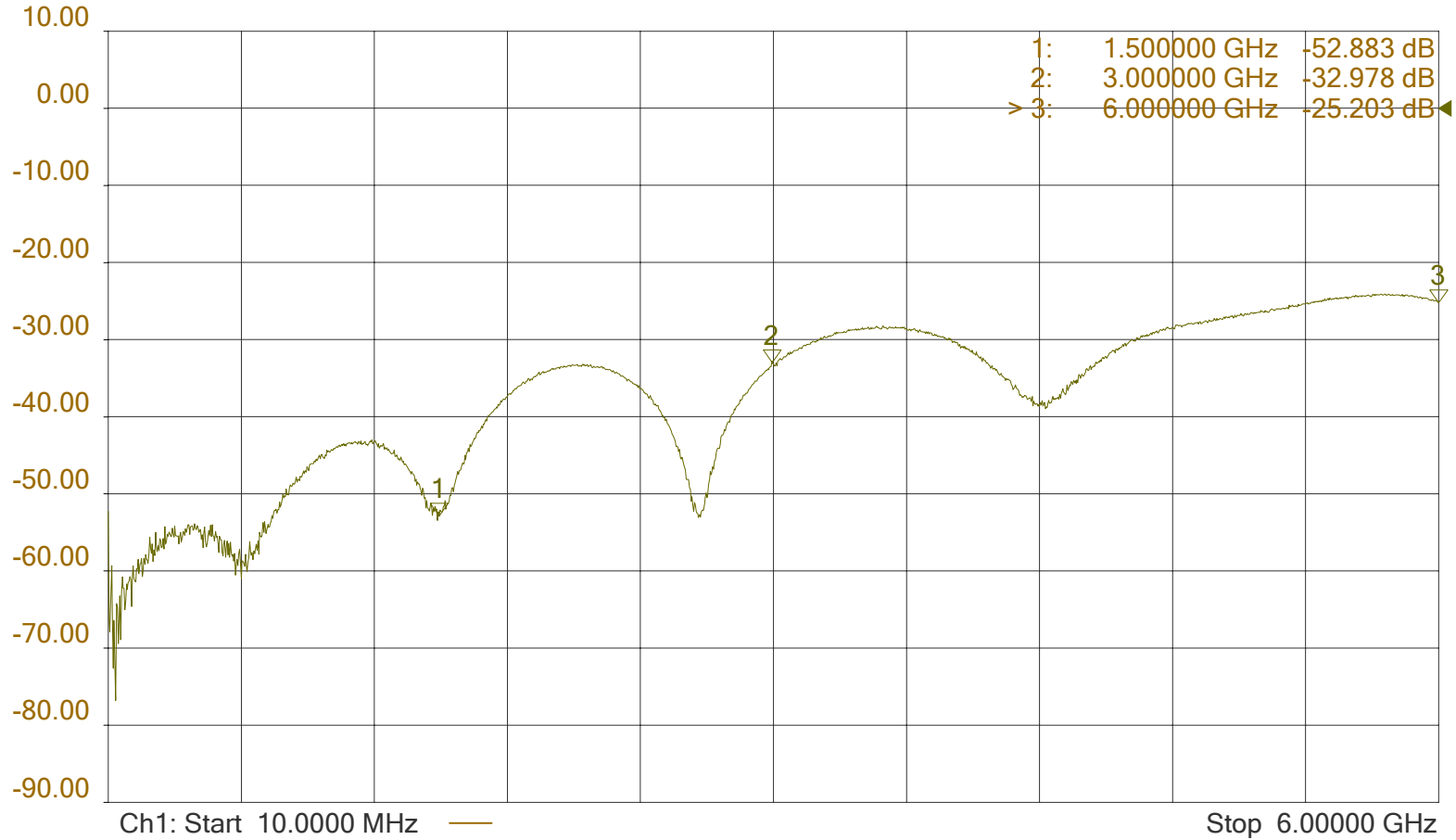
REV.	ECN. NO.	DESCRIPTION	ENG	DATE
X1		INITIAL	AXL	7/11/2013



NOTES:
1. RoHS COMPLIANT.

				GENERAL TOLERANCE		ANGLE TOLERANCE		DRAWN		DATE			
				X ±		X' ±		AXL		7/11/2013			
				.X ± 0.40		.X' ±		DESIGN		DATE		TITLE	
				.XX ± 0.30		.XX' ±		CHECKED		DATE		PART NUMBER	
				.XXX ± 0.20		.XXX' ±		APPROVED		DATE		DRAWING NO.	
				MATERIAL		SEE BOM		SHEET		1 OF 1		GT20-300204	
				FINISH		SEE NOTES		SCALE		N/A		SIZE	
				TIN		PASSIVATED		UNIT		mm		REV.	
				NOTE								X1	
4	BODY	1	BRASS									GT20-300204	
3	INSULATOR	1	TEFLON									A4	
2	CENTER PIN	1	BERYLLIUM COPPER									X1	
1	FRONT BODY	1	STAINLESS STEEL										
ITEM	NAME	Q'TY	DESCRIPTION										

Window 1 (1) S11 NV M dB
LogMag C* 1-Port



Channel Settings								
Channel	Sweep Type	Points	Start (MHz)	Stop (GHz)	IF BW (kHz)	Sweep Time (s)	Pow 1 (dBm)	Pow 2 (dBm)
1	LinFreq	1601	10.000000	6.000000	35.000000	0.048030	0.000000	0.000000

Trace Attributes					
Window	ID	Trace	Channel	Correction	Options
1	1	S11 NV M	1	C* 1-Port	