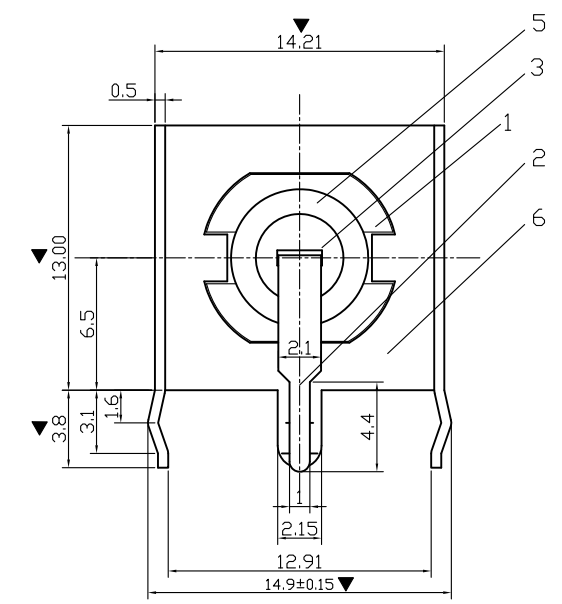
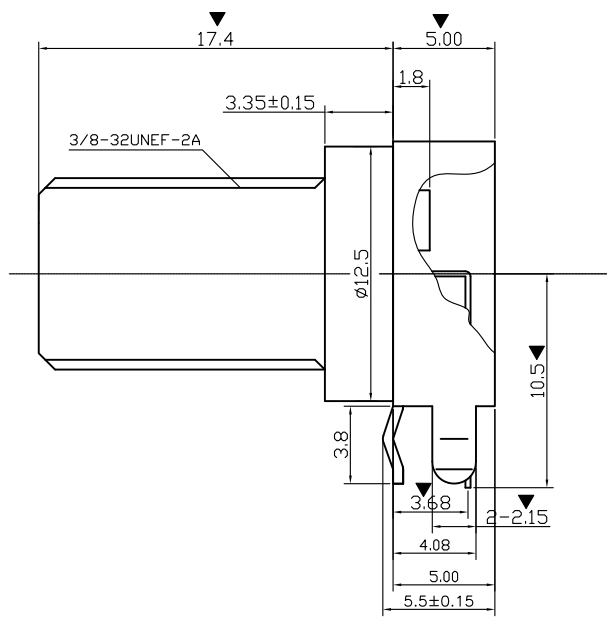
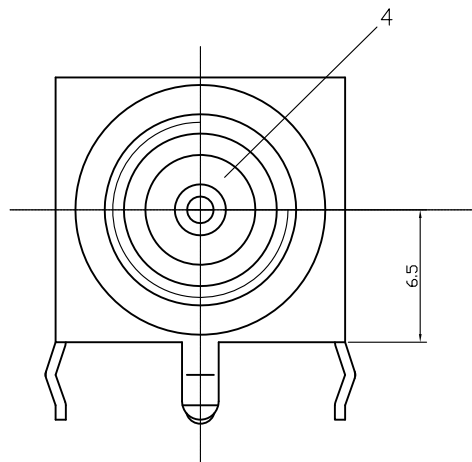


REV.	ECN. NO.	DESCRIPTION	ENG	DATE
A	ECN-1408-003	INITIAL	Eva	08/16/14'
B		Added cut out in the insulator	Eva	09/10/14'



Bracket Can Material Specs
 1) Material: 0.5mm Sheet, Electrolytic Tin Plated Steel, SPTE, Or Equivalent
 2) Finish: Bright, Must pass solderability qualification.
 3) Degrease and Deller Free of Oil and Loose Material.
 4) Interpart unconstrained right angle bends at 90°±2°.
 5) Flat Surfaces and straight edges not to Exceed 0.1mm per 25.0mm.
 6) Tolerances±0.25mm unless specified.
 7) Swage Assemble F-Connector onto shield Connector shall withstand 40 IN-LBS of Rotational Torque and a minimum of 45lbs of linear pull force without mechanical failure, or rotation. Torque should be applied to a connector in a vise and supported so that the sheet metal walls/fence cannot bend. Failure occurs when the barrel rotates 12.5 degrees
 8) A gap of 0.1mm is allowed between the sheet metal and the shoulder of the F connector. With a force of 6N pushed or pulled on the tip of the F connector normal to the threaded surface, the gap may increase to as much as 0.25mm

Performance Requirements
 Will accept RG-6U Cable(0.040" center conductor)100 insertions and still accept RG-59U cable with(0.025" center conductor).
 Internal contact right angle position: Must not rotate before or after any noted insertion cycle testing Must be perpendicular within .25 degrees

Electrical Specs
 1) Impedance: 75ohm(NOM).
 2) Insulation Resistance: 500 Meg, Ohm(Min) ,With Standing: 1.2KVAC/1 minute
 3) Contact Resistance: 20mOhm Max
 4) Freq. Range: 0 to 1000MHz Min.
 5) Return Loss: -13dB(Should be as close as possible for return loss and Smith Charts the original design house made it.)

F Connector Material Specs
 1) Bushing/Body: Zinc(Cu8(min)umNi1-4umPlating) or Brass with Ni plating
 2) Insulator: Polypropylene or PBT (White) UL94-HB or better flame rating, Must withstand 170°C for 30 sec, and 200° for 3 sec without deforming or discolor
 4) Center Pin\internal terminal contact: Phosphor Bronze w/Tin Plating
 5) Insertion Force: 100g to 3kg
 6) Operating/storage Temp: -25° to 80°
 7) Withdrawal Force: 30g to 3kg
 8) Possible Insertion Depth: 10mm Minimum
 9) Initial contact depth from front face: 5mm Max

Other
 RoHS Compliant
 ▼ Marks key dims.

ITEM	P/N	NAME	QTY	DESCRIPTION	NOTE	GENERAL TOLERANCE	ANGLE TOLERANCE	DRAWN	DATE	GENESIS TECHNOLOGY, INC	
7						X.±	X°±	Vince	10/19/2009'	CONNECTOR, BRACKET/F-CONNECTOR 175595	
6	GTI08-60093-6	Bracket	1	SPTE	T=0.5mm	.X±0.20	.X°±	DESIGN	DATE		
5	GTI10-60548	WASHER	1	65Mn	DCu4-8umSn2-6um	.XX±0.20	.XX°±	CHECKED	DATE	DRAWING NO. GTI09-60296	
4	GTI11-60752-4	Insulation B	1	PBT	White	.XXX±0.20	.XXX°±	APPROVED	DATE		
3	GTN07-30142-3	Insulation A	1	PBT	White						
2	GTI10-60470-2	Centre Pin	1	QSn6.5-0.1	Cu1-3umSn2-6um						
1	GTN07-30016-1	Body	1	Zn	DCu8um(min)Ni1-4um						
						SCALE 1:1	UNIT mm				
						SHEET 1 OF 1					