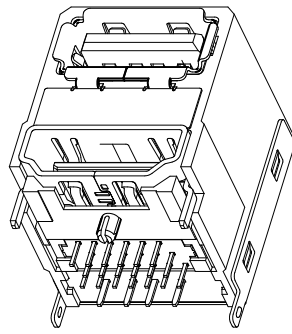
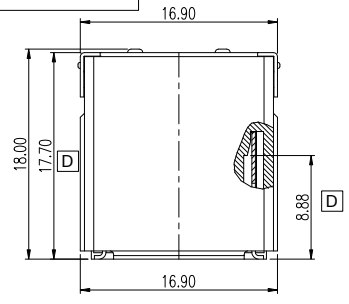
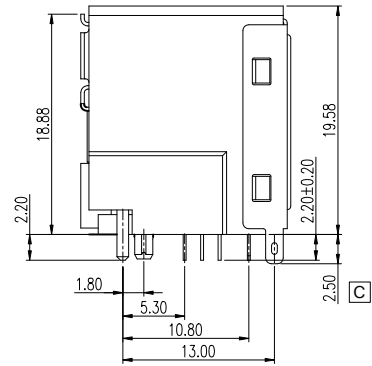
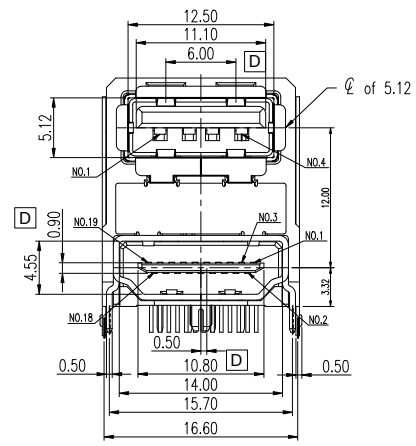


1 PROPRIETARY INFORMATION  
COMPANY CONFIDENTIAL

REV.	ECN. NO.	DESCRIPTION	ENG	DATE
A		INITIAL	AXL	07/29/10'
B		ADD ORDER INFORMATION	Jeff	05/27/11'
C		ADD ORDER OPTION	Jesse	10/01/13'
D		UPDATED DRAWING	Sun	04/09/15'



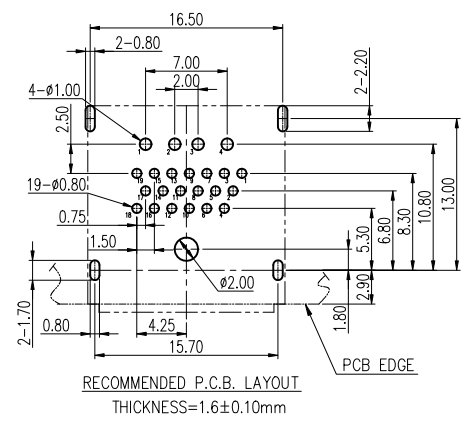
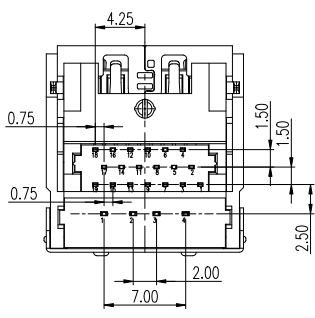
- NOTES:
1. USB
    - 1.1 CURRENT RATING: 1.5A MAX.
    - 1.2 CONTACT RESISTANCE: 30mΩ MAX.
    - 1.3 INSULATION RESISTANCE: 1000MΩ MIN.
    - 1.4 DIELECTRIC WITHSTANDING VOLTAGE: 750V AC(RMS) [D]
    - 1.5 TOTAL MATING FORCE: 3.57Kgf MAX.
    - 1.6 TOTAL UNMATING FORCE: 1.02Kgf MIN.
    - 1.7 VOLTAGE: 30 VAC (RMS) MAX



2. HDMI
  - 2.1 CURRENT RATING: 0.5A MIN.
  - 2.2 CONTACT RESISTANCE: 30mΩ MAX.
  - 2.3 INSULATION RESISTANCE: 100MΩ MIN. (Unmated)
  - 2.4 DIELECTRIC WITHSTANDING VOLTAGE: 500V AC(RMS) (Unmated)
  - 2.5 TOTAL MATING FORCE: 4.5Kgf MAX.
  - 2.6 TOTAL UNMATING FORCE: 1.0Kgf MIN.
  - 2.7 VOLTAGE: 30 VAC(RMS) MAX
3. OPERATING TEMPERATURE: -55°C TO +85°C
4. RoHS 6/6 COMPLIANT

ORDER INFORMATION:  
HDUR - 24 23 - B K X 3 T 1U  
① ② ③ ④ ⑤ ⑥ ⑦ ⑧

1. CONNECTOR:  
HDUR: 1USB+1HDMI CONNECTOR, RIGHT ANGLE
2. TYPE:  
24: DIP TYPE
3. POSITIONS:  
23: 23 POSITIONS
4. INSULATOR MATERIAL:  
B: LCP (HDMI PORT)
5. INSULATOR COLOR:  
K: BLACK
6. CONTACT PLATING:  
1: GOLD FLASH  
5: 15u" GOLD
7. SHIELD PLATING:  
3: NICKEL PLATING
8. PACKING  
T: TRAY



ITEM	NAME	Q'TY	DESCRIPTION	MATERIAL	FINISH / COLOR	NOTE
6	SHELL (HDMI)	1		BRASS	NICKEL 80u" PLATING OVERALL [D]	
5	CONTACT (HDMI)	19		BRASS	GOLD PLATING ON CONTACT AREA, TIN 100u" ON SOLDER TAIL, NICKEL 30u" UNDERPLATING OVERALL [D]	
4	HOUSING (HDMI)	1		LCP+30%G.F.	COLOR: BLACK	UL 94V-0
3	SHELL (USB)	1		STEEL	NICKEL 80u" PLATING OVERALL [D]	
2	CONTACT (USB)	4		BRASS	GOLD PLATING ON CONTACT AREA, TIN 100u" ON SOLDER TAIL, NICKEL 30u" UNDERPLATING OVERALL [D]	
1	HOUSING (USB)	1		PBT+30%G.F.	COLOR: BLACK	UL 94V-0

GENERAL TOLERANCE	ANGLE TOLERANCE	DRAWN	DATE	
X± .X± 0.40 .XX± 0.30 .XXX± 0.20	X°± .X°± .XX°± .XXX°±	Sun	04/09/15'	
MATL SEE BOM	FINISH SEE BOM	CHECKED	DATE	PART NUMBER: [C] HDUR-2423-BKX3T1U
SCALE N/A	UNIT mm	APPROVED	DATE	DRAWING NO. GT20-200225
SHEET 1 OF 1		River	04/09/15'	SIZE A4 REV. D