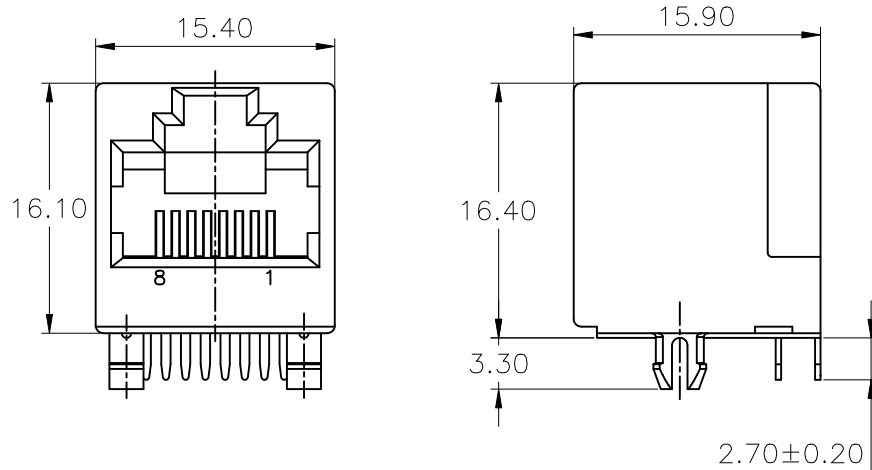


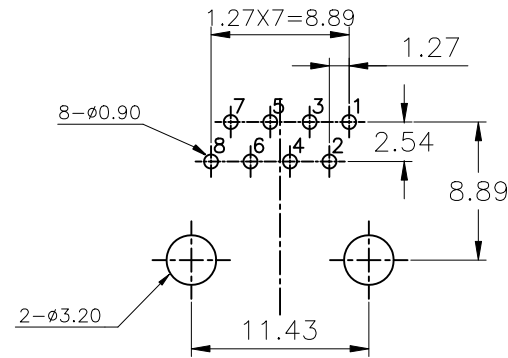
PROPRIETARY INFORMATION
COMPANY CONFIDENTIAL

REV.	ECN. NO.	DESCRIPTION	ENG	DATE
X1		INITIAL	Hill	3/17/15"



Notes:

- Materials:
 - Housing: Black Glass Filled Thermoplastic(UL94V-0)
 - RJ contacts: Phosphor Bronze
Finish: Selective gold plate see table
- Tolerances comply with EIA/TIA 568 dimension requirements
- Wave solder compatible for 260°C for 5 seconds
- UL approval Per DUXR2 & DUXR8



PC Board Layout t=1.6mm
Component Side Show



MP45-W01A-008-00N5	50 Micro Inches
MP45-W01A-008-00N4	30 Micro Inches
MP45-W01A-008-00N3	15 Micro Inches
MP45-W01A-008-00N2	6 Micro Inches
MP45-W01A-008-00N1	Flash
Part Number	RJ Contact Plating Thickness (Au)

GENERAL TOLERANCE X± 0.50 .X± 0.38 .XX± 0.25 .XXX± 0.15	ANGLE TOLERANCE X°± 5.0° .X°± 3.0° .XX°± 2.0° .XXX°± 1.0°	DRAWN Ryan	DATE 3/17/15"	
MATL <i>SEE BOM</i>	FINISH <i>SEE BOM</i>	CHECKED Hill	DATE 3/17/15"	
SCALE N/A	UNIT mm	APPROVED Bryan	DATE 3/17/15"	PART NUMBER MP45-W01A-008-00NX
SHEET 1 OF 1				DRAWING NO. GT26-700322
				SIZE A4
				REV. X1