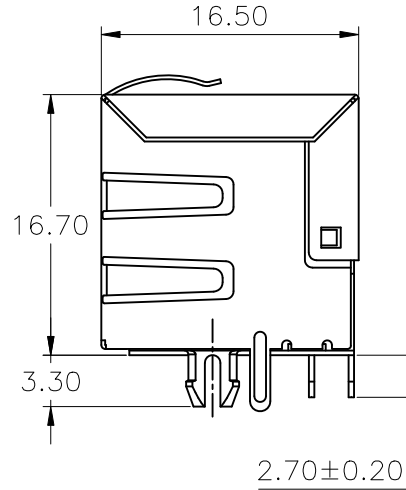
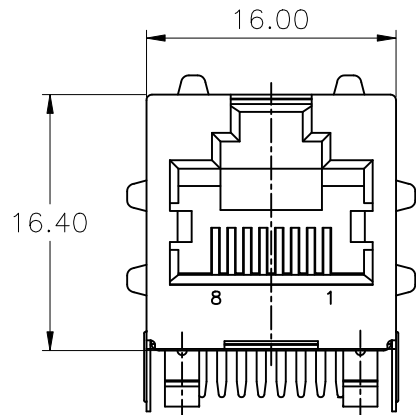


PROPRIETARY INFORMATION
COMPANY CONFIDENTIAL

REV.	ECN. NO.	DESCRIPTION	ENG	DATE
X1		INITIAL	Hill	3/17/15"



Notes:

1. Materials:

1.1 Housing: Black Glass Filled Thermoplastic(UL94V-0)

1.2 RJ contacts: Phosphor Bronze

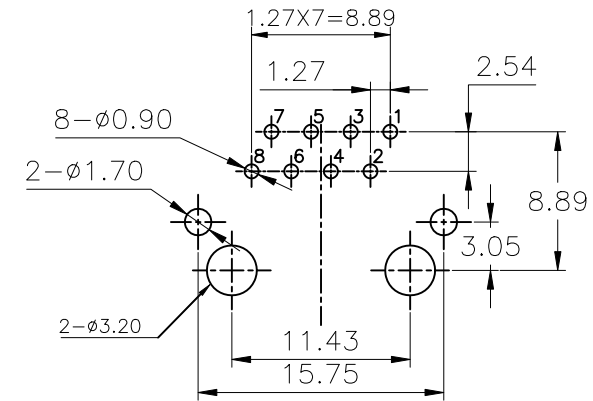
Finish: Selective gold plate see table

1.3 Shield:Copper Alloy

2. Tolerances comply with EIA/TIA 568 dimension requirements

3. Wave solder compatible for 260°C for 5 seconds

4. UL approval Per DUXR2 & DUXR8



PC Board Layout t=1.6mm
Component Side Show



MP45-W01A-008-00S5	50 Micro Inches
MP45-W01A-008-00S4	30 Micro Inches
MP45-W01A-008-00S3	15 Micro Inches
MP45-W01A-008-00S2	6 Micro Inches
MP45-W01A-008-00S1	Flash
Part Number	RJ Contact Plating Thickness (Au)

GENERAL TOLERANCE	ANGLE TOLERANCE	DRAWN	DATE	ENESIS TECHNOLOGY INC	
X± 0.50	.X°± 5.0°	Ryan	3/17/15"	TITLE	
.X± 0.38	.X°± 3.0°			CAT.6 SIDE ENTRY JACK STP	
.XX± 0.25	.XX°± 2.0°	CHECKED	DATE	PART NUMBER.	
.XXX± 0.15	.XXX°± 1.0°	Hill	3/17/15"	MP45-W01A-008-00SX	
MATL SEE BOM		APPROVED	DATE	DRAWING NO.	SIZE A4
FINISH SEE BOM		Bryan	3/17/15"	GT26-700324	REV. X1
SCALE N/A	UNIT mm				
SHEET 1 OF 1					