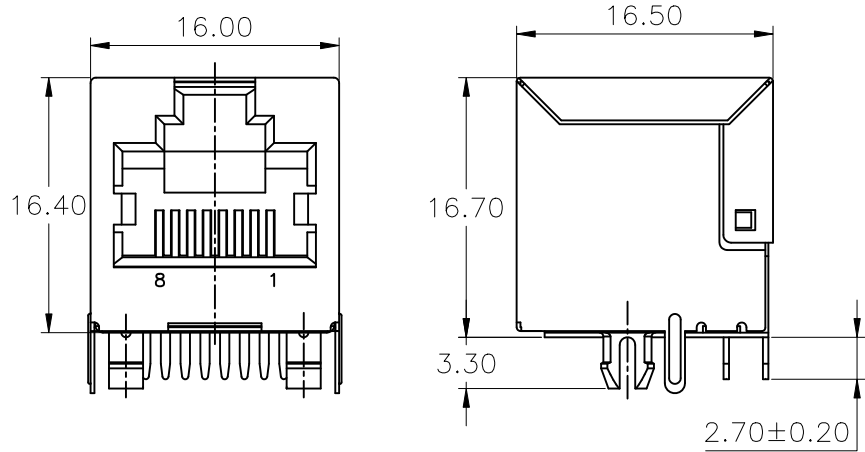


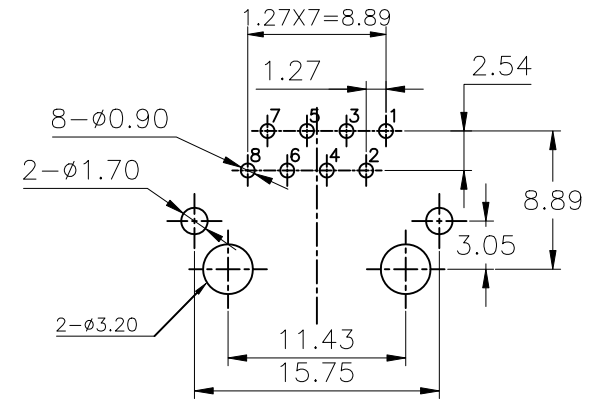
PROPRIETARY INFORMATION  
COMPANY CONFIDENTIAL

REV.	ECN. NO.	DESCRIPTION	ENG	DATE
X1		INITIAL	Hill	3/17/15"



Notes:

- Materials:
  - Housing: Black Glass Filled Thermoplastic(UL94V-0)
  - RJ contacts: Phosphor Bronze  
Finish: Selective gold plate see table
  - Shield:Copper Alloy
- Tolerances comply with EIA/TIA 568 dimension requirements
- Wave solder compatible for 260°C for 5 seconds
- UL approval Per DUXR2 & DUXR8



MP45-W01A-008-00W5	50 Micro Inches
MP45-W01A-008-00W4	30 Micro Inches
MP45-W01A-008-00W3	15 Micro Inches
MP45-W01A-008-00W2	6 Micro Inches
MP45-W01A-008-00W1	Flash
Part Number	RJ Contact Plating Thickness (Au)

GENERAL TOLERANCE	ANGLE TOLERANCE	DRAWN	DATE	GENESIS TECHNOLOGY, INC.	
.X± 0.50	.X°± 5.0°	Ryan	3/17/15"	TITLE: CAT.6 SIDE ENTRY JACK STP	
.X± 0.38	.X°± 3.0°	CHECKED	DATE	PART NUMBER:	
.XX± 0.25	.XX°± 2.0°	Hill	3/17/15"	MP45-W01A-008-00WX	
.XXX± 0.15	.XXX°± 1.0°	APPROVED	DATE	DRAWING NO.	SIZE A4
MATERIAL: SEE BOM		Bryan	3/17/15"	GT26-700323	REV. X1
FINISH: SEE BOM					
SCALE: N/A	UNIT: mm				
SHEET 1 OF 1					