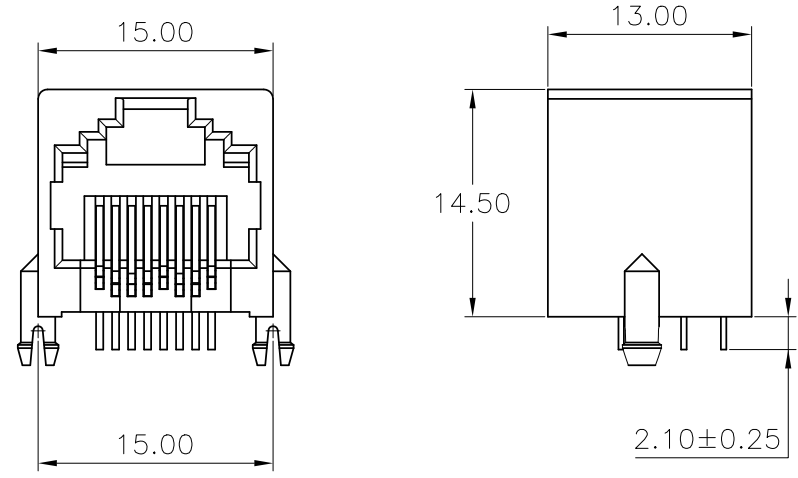


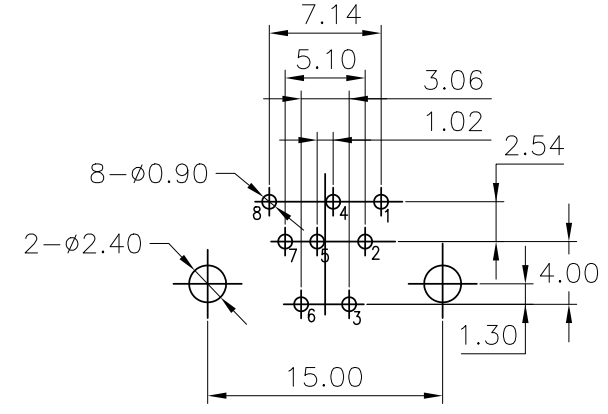
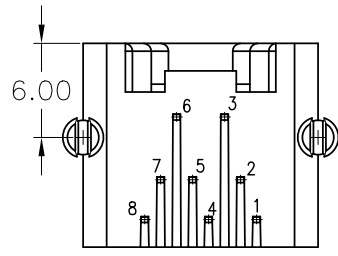
PROPRIETARY INFORMATION  
COMPANY CONFIDENTIAL

REV.	ECN. NO.	DESCRIPTION	ENG	DATE
X1		INITIAL	Hill	3/17/15"



Notes:

- Materials:
  - 1.1 Housing: Black Glass Filled Thermoplastic(UL94V-0)
  - 1.2 RJ contacts: Phosphor Bronze
  - Finish: Selective gold plate see table
- Tolerances comply with EIA/TIA 568 dimension requirements
- Wave solder compatible for 260°C for 5 seconds
- UL approval Per DUXR2 & DUXR8



PC Board Layout Component Side Shown



MP45-W01B-008-00N5	50 Micro Inches
MP45-W01B-008-00N4	30 Micro Inches
MP45-W01B-008-00N3	15 Micro Inches
MP45-W01B-008-00N2	6 Micro Inches
MP45-W01B-008-00N1	Flash
Part Number	RJ Contact Plating Thickness (Au)

GENERAL TOLERANCE X± 0.50 .X± 0.38 .XX± 0.25 .XXX± 0.15	ANGLE TOLERANCE X°± 5.0° .X°± 3.0° .XX°± 2.0° .XXX°± 1.0°	DRAWN Ryan	DATE 3/17/15"	 TITLE C6 JACK SIDE ENTRY HRS PART NUMBER MP45-W01B-008-00NX DRAWING NO. GT26-700325	SIZE A4 REV: X1
MATL SEE BOM	FINISH SEE BOM	CHECKED Hill	DATE 3/17/15"		
SCALE N/A	UNIT mm	APPROVED Bryan	DATE 3/17/15"		
SHEET 1 OF 1					