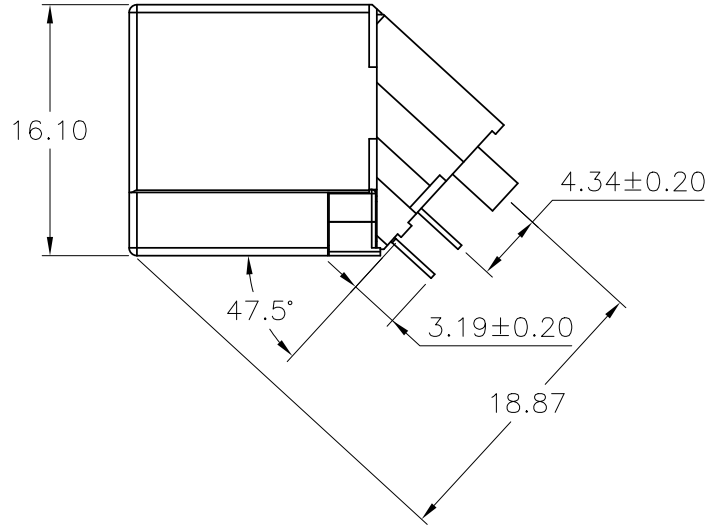
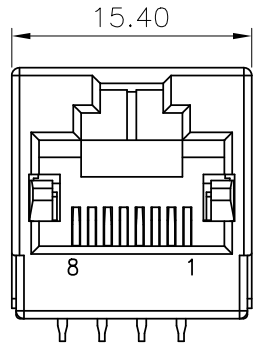


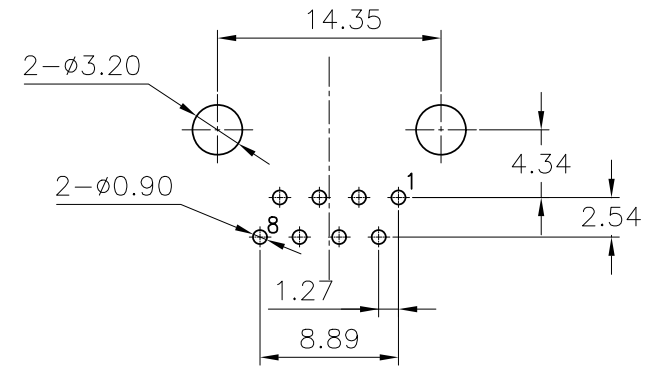
PROPRIETARY INFORMATION
COMPANY CONFIDENTIAL

REV.	ECN. NO.	DESCRIPTION	ENG	DATE
X1		INITIAL	Hill	3/18/15"



Notes:

- Materials:
 - Housing: Black Glass Filled Thermoplastic(UL94V-0)
 - RJ contacts: Phosphor Bronze
Finish: Selective gold plate see table
- Tolerances comply with EIA/TIA 568 dimension requirements
- Wave solder compatible for 260°C for 5 seconds
- UL approval Per DUXR2 & DUXR8



PC Board Layout t=1.6mm
Component Side Show



MP45-W01C-60A-00N5	50 Micro Inches
MP45-W01C-60A-00N4	30 Micro Inches
MP45-W01C-60A-00N3	15 Micro Inches
MP45-W01C-60A-00N2	6 Micro Inches
MP45-W01C-60A-00N1	Flash
Part Number	RJ Contact Plating Thickness (Au)

GENERAL TOLERANCE	ANGLE TOLERANCE	DRAWN	DATE	GENESIS TECHNOLOGY INC	
X± 0.50	X°± 5.0°	Ryan	3/19/15"	TITLE: CAT.6 MODULAR JACK 47.5° UTP	
.X± 0.38	.X°± 3.0°	CHECKED	DATE	PART NUMBER:	
.XX± 0.25	.XX°± 2.0°	Hill	3/19/15"	MP45-W01C-60A-00NX	
.XXX± 0.15	.XXX°± 1.0°	APPROVED	DATE	DRAWING NO.	SIZE A4
		Bryan	3/19/15"	GT26-700329	REV. X1
MATL	SEE BOM				
FINISH	SEE BOM				
SCALE	N/A				
SHEET	1 OF 1				