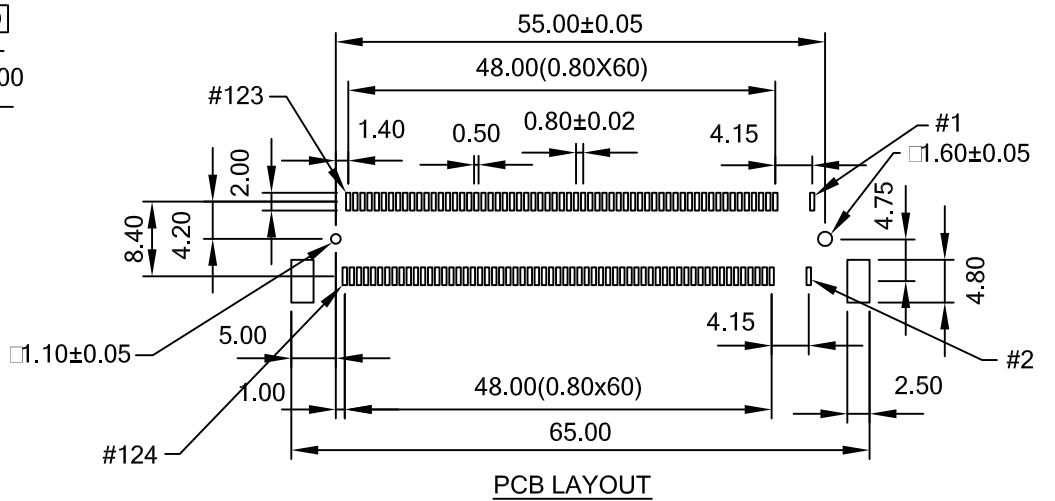
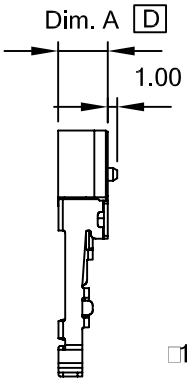
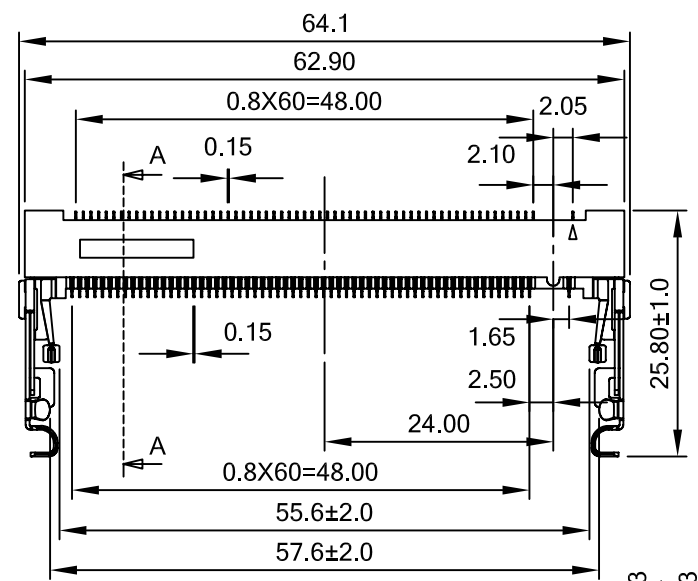


1 2 3 4 5 6 7 8

A

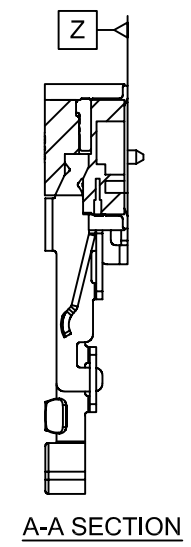
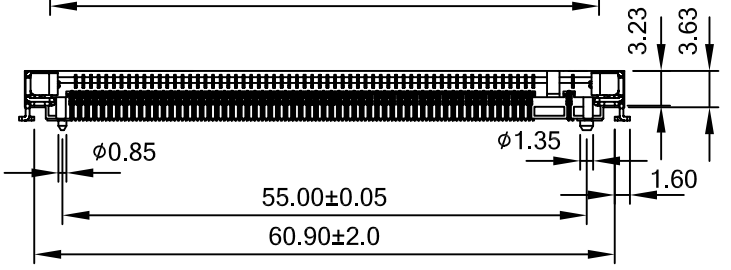


B

B

C

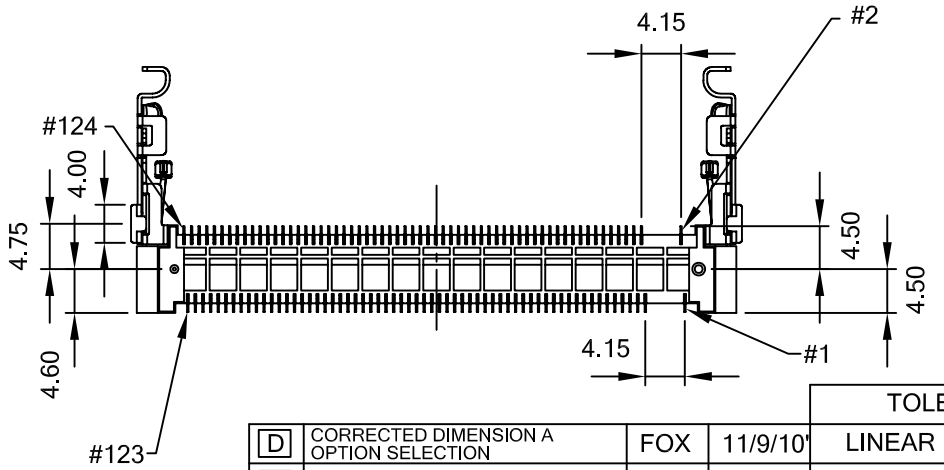
C



NOTES:
 1. SOLDERTAIL TO BE WITHIN 0.05 UPWARD AND 0.2 DOWNWARD FROM Z-DATUM PLACE, AND COPLANALITY OF SOLDERTAILS TO BE WITHIN 0.12. MEASUREMENT POINT IS SOLDERDATILS TIP.
 2. RoHS COMPLIANT.

D

D



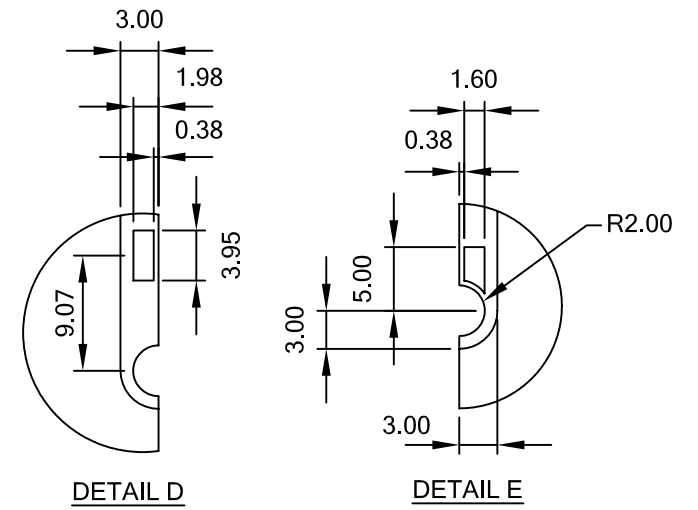
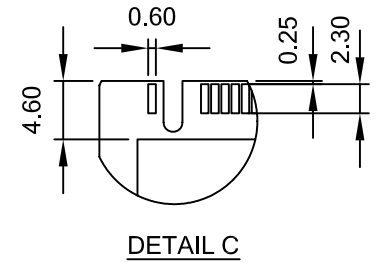
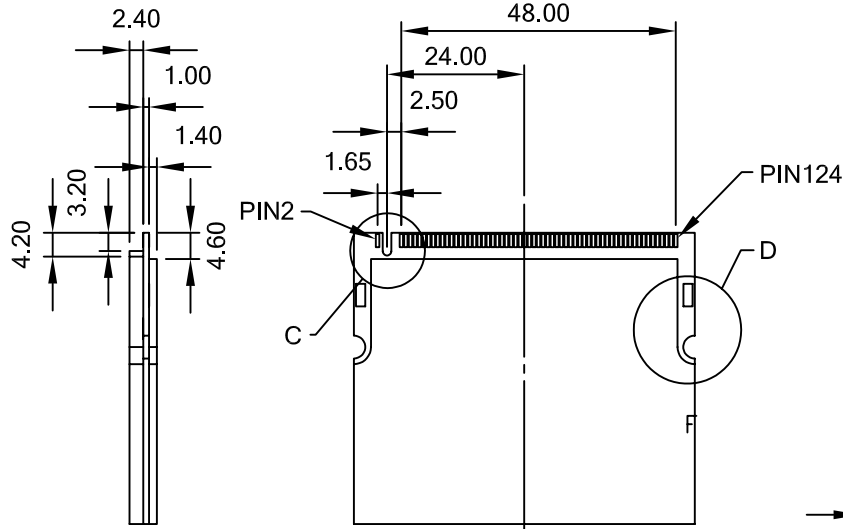
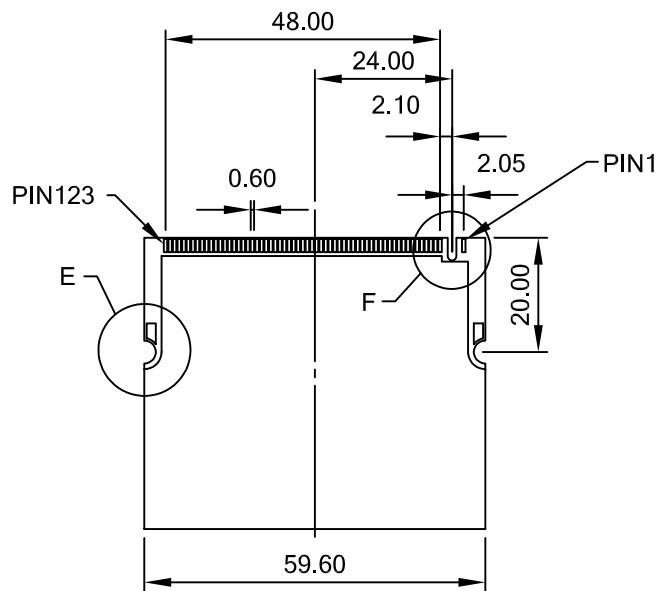
E

E

				TOLERANCE				TITLE: Mini PCI Socket Pitch 0.8mm 124 Positions			
				LINEAR	ANGLES						
[D]	CORRECTED DIMENSION A OPTION SELECTION	FOX	11/9/10'	X. ± 0.30	X° ± 2.00°			PART NO. MPIR-2X1A-BKX0X1			
[C]	ADD PART NUMBER	AXL	3/2/09'	.X ± 0.20	.X° ± 1.00°	APPD:		DWG NO. SC-10393			
[B]	CHANGE PART NUMBER	Vegas	11/5/08'	.XX ± 0.10	.XX° ± 0.50°	MAT'L:		UNITS SCALE SHEET REV			
[A]	ISSUED	AXL	7/12/06'	.XXX ± 0.05	.XXX° ±	FINISH:		MM NONE 1 OF 2 D			
REV	ECN NO.	NAME	DATE			DRWN: AXL		Q'TY:			

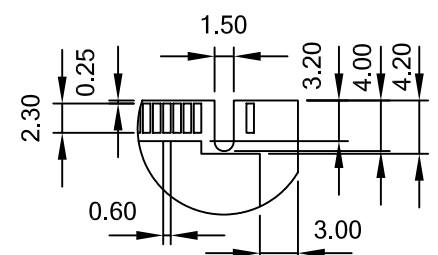


1 2 3 4 5 6 7 8



DETAIL D

DETAIL E



DETAIL F

B MPIR- 2X 1A - B K X 0 X 1
C ① ② ③ ④ ⑤ ⑥ ⑦ ⑧

1. CONNECTOR:
 MPIR: MINI PCI R/A CONNECTOR

D 2. TYPE (Dim. A Height):
 20: 8.0mm, FEMALE, SMT
 21: 9.2mm, FEMALE, SMT
 22: 6.0mm, FEMALE, SMT
 23: 5.6mm, FEMALE, SMT
 25: 4.0mm, FEMALE, SMT

3. POSITIONS
 1A: 124 POSTIONS

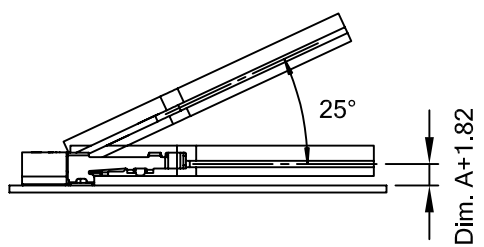
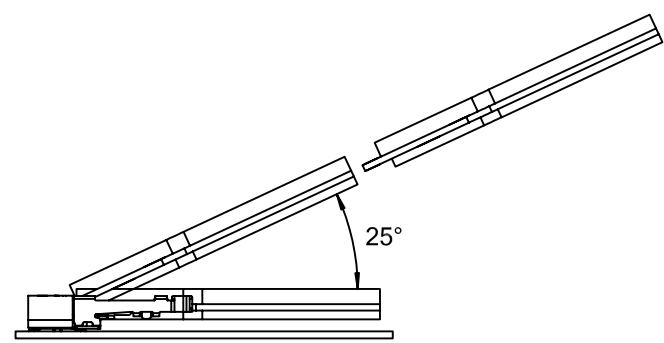
4. INSULATOR MATERIAL
 B: LCP

5. INSULATOR COLOR
 K: BLACK

6. CONTACT PLATING
 1: GOLD FLASH
 5: GOLD 15 u"
 6: GOLD 30 u"

7. SHIELD PLATING
 0: NONE SHIELD

8. SHIPPING PACKAGE
 T: TRAY PACKING
 R: TAPE REEL PACKING



PART NO.	MPIR-2X1A-BKX0X1	SHEET	REVISION
DWG NO.	SC-10393	2 OF 2	SEE SHEET 1