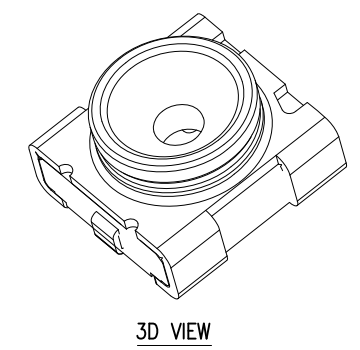
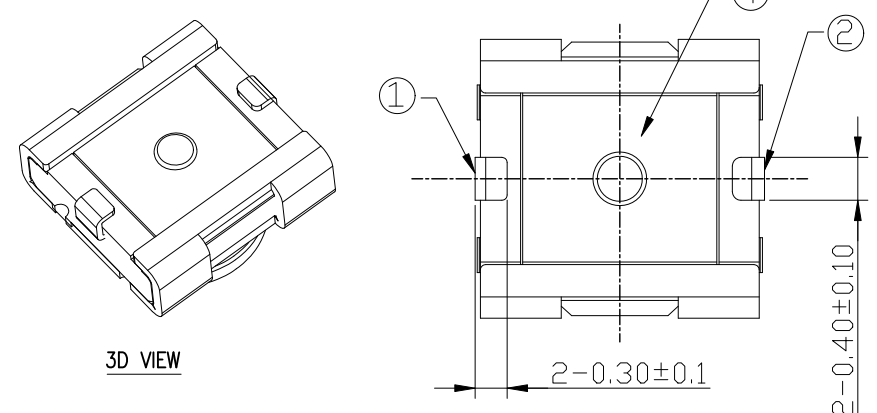
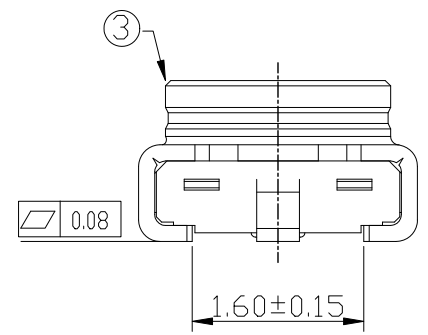
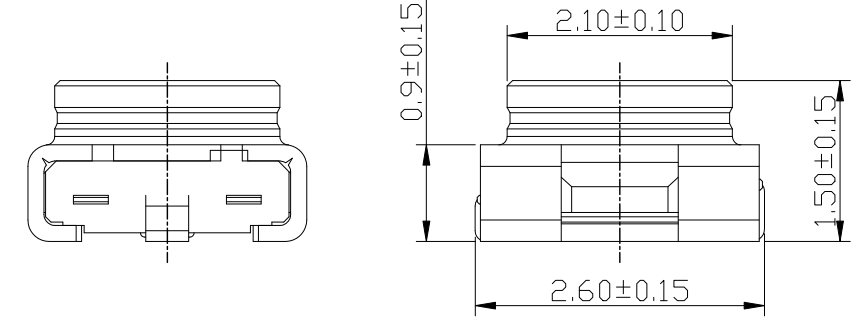
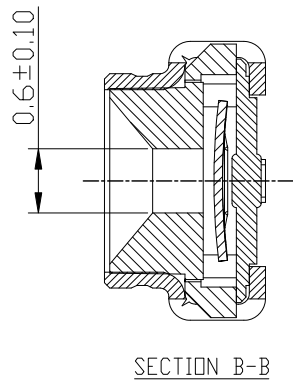
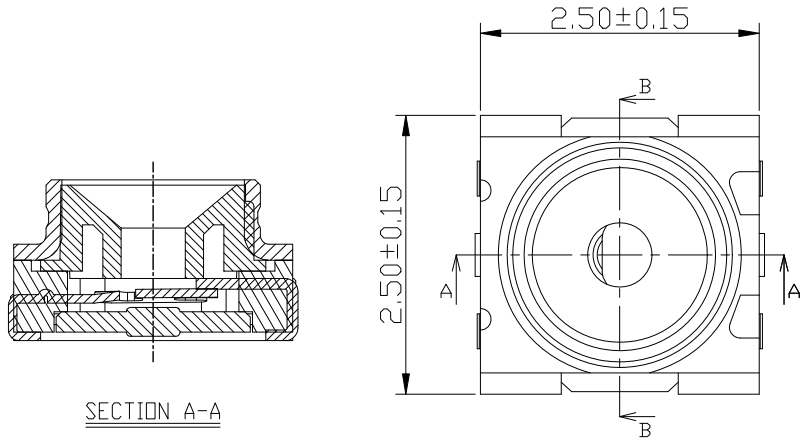


PROPRIETARY INFORMATION  
COMPANY CONFIDENTIAL

REV.	ECN. NO.	DESCRIPTION	ENG	DATE
A		INITIAL	Sun	1/19/2015



NOTES

MECHANICAL:

- 1.INSERTION FORCE: 30N MAX
  - 2.WITHDRAWAL FROCE: 5~40N MIN
  - 3.DURABILITY:500 CYCLES
- TECHNOLOGY PARAMETERS:
- 4.VOLTAGE RATING: 250V AC
  - 5.CONTACT CURRENT RATING: 1.0A
  - 6.FREQUENCY RANGE:DC~6GHz
  - 7.IMPEDANCE: 50 MILIOHMS
  - 8.OPERTING TEMPERATURE:-40°C TO +85°C

ELECTRICAL:

- 9.WITHSTANDING VOLTAGE: 300V AC
- 10.INSULATION RESISTANCE:500 MOHM MIN
- 11.CONTACT RESISTANCE:120 MILIOHMS MAX
- 12.VOLTAGE STANDING WAVE RATIO(VSWR):1.2 MAX(DC~3GHz)  
1.3 MAX(3~6GHz)

PART NUMBER:

MRFV-20 02 - B K 3 F R  
① ② ③④⑤⑥⑦

1.CONNECTOR:

MRFV-20: MINI RF II CONNN,Ø2.10mm

2.POSITIONS:

02: 2 POSITIONS

3.INSULATOR MATERIAL:

B: LCP

4.INSULATOR COLOR:

K: BLACK

5.CONTACT PLATING:

3: GOLD 5u"

6.SHIELD PLATING:

F: Ag

7.PACKING:

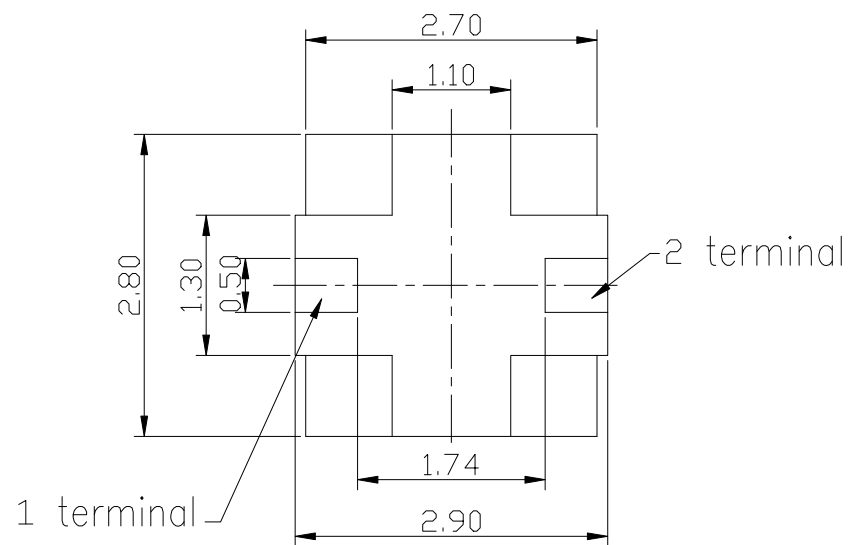
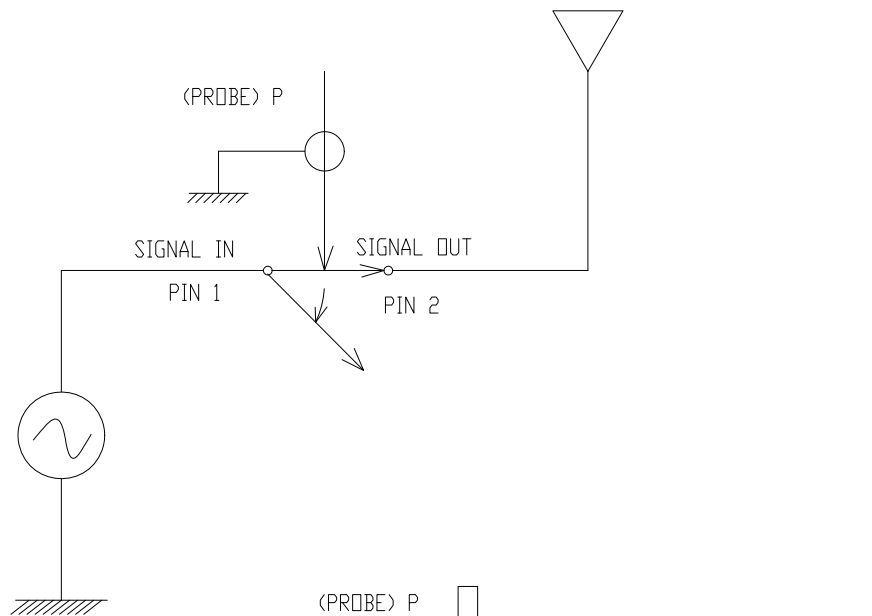
R: TAPE&REEL

ITEM	NAME	Q'TY	DESCRIPTION	NOTE
4	HOUSING	1	LCP,COLOR BLACK	UL94-V0
3	SHELL	1	BRASS,40u" Ag PLAING OVER 50u" NICKEL UNDERPLATING OVERALL	
2	TERMINAL 2#	1	PHOSPHOR BRONZE,5u" GOLD PLAING OVER 50u" NICKEL UNDERPLATING OVERALL	
1	TERMINAL 1#	1	SUS,5u" GOLD PLAING OVER 50u" NICKEL UNDERPLATING OVERALL	

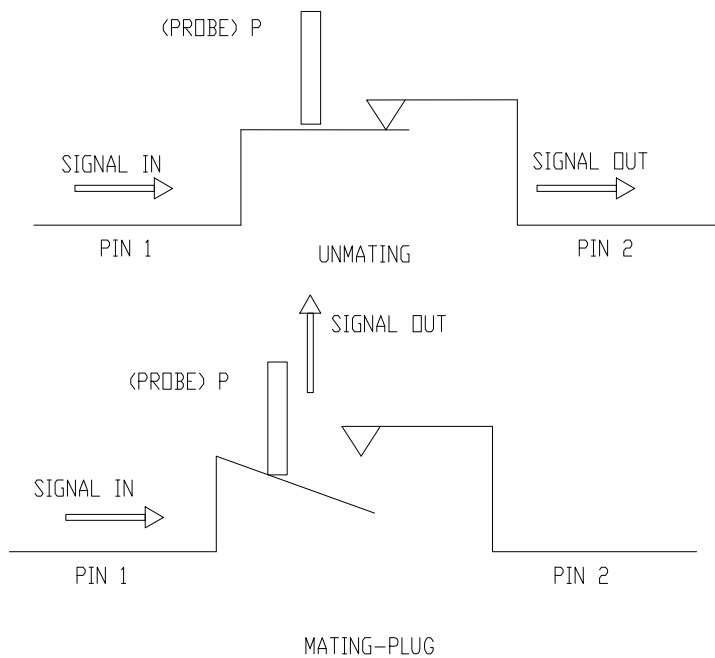
GENERAL TOLERANCE X.±0.50 .X±0.38 .XX±0.25 .XXX±0.15	ANGLE TOLERANCE X°± 5.0° .X°± 3.0° .XX°± 2.0° .XXX°± 1.0°	DRAWN Sun DATE 1/19/15'	 TITLE: MINI RF II CONNN,Ø2.10mm PART NUMBER: MRFV-2002-BK3FR DRAWING NO. GT26-210304 SIZE A4 REV. A
MATL SEE BOM	FINISH SEE NOTES	CHECKED DATE	
SCALE N/A	UNIT mm	APPROVED River DATE 1/19/15'	
SHEET 1 OF 2			

PROPRIETARY INFORMATION  
COMPANY CONFIDENTIAL

REV.	ECN. NO.	DESCRIPTION	ENG	DATE
A		INITIAL	Sun	1/19/2015



P.C.B LAYOUT  
GENERAL TOLERANCE:  $\pm 0.05$



GENERAL TOLERANCE X. $\pm 0.50$ .X $\pm 0.38$ .XX $\pm 0.25$ .XXX $\pm 0.15$		ANGLE TOLERANCE X° $\pm 5.0^\circ$ .X° $\pm 3.0^\circ$ .XX° $\pm 2.0^\circ$ .XXX° $\pm 1.0^\circ$		DRAWN DATE Sun 1/19/15'		 TITLE: MINI RF II CONNN, $\phi 2.10\text{mm}$		
MATERIAL SEE BOM		CHECKED DATE		APPROVED DATE River 1/19/15'				PART NUMBER MRFV-2002-BK3FR
FINISH SEE NOTES		SCALE N/A		UNIT mm		DRAWING NO. GT26-210304		SIZE A4 REV. A
SHEET 2 OF 2								