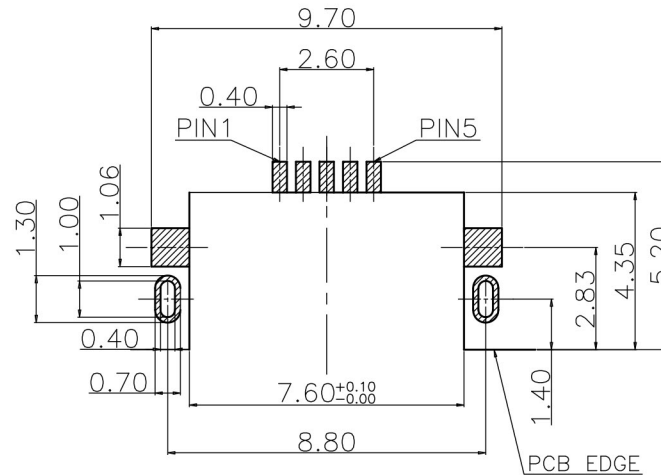
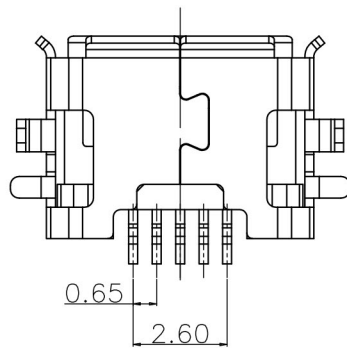
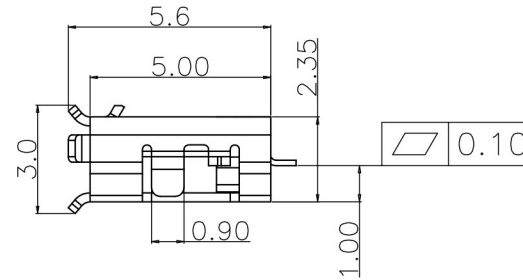
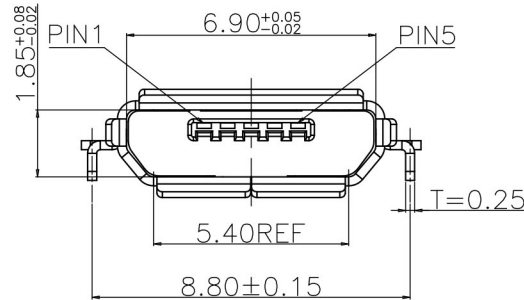
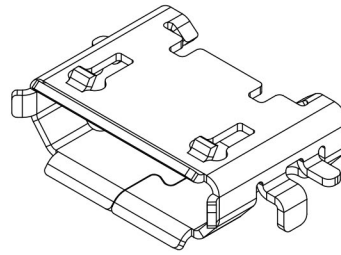
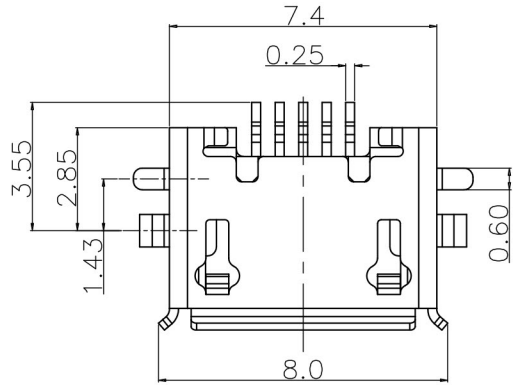


PROPRIETARY INFORMATION
COMPANY CONFIDENTIAL

REV.	ECN. NO.	DESCRIPTION	ENG	DATE
A		INITIAL	Knight	01/20/15'



P.C.B. LAYOUT(TOLERANCE=±0.05)

NOTES:

- 1.VOLTAGE RATING: 100V AC;
- 2.CURRENT RATING:PIN2,PIN3,PIN4 1A;PIN1,PIN5 1.8A
- 3.INSULATION RESISTANCE:PRE TEST 1000MΩ MIN,FINAL 100MΩ MIN.
- 4.CONTACT RESISTANCE :30mΩ MAX;
- 5.DIELECTRIC WITHSTANDING: 500V AC;
- 6.TOTAL INSERTION FORCE:3.5Kg MAX;
- 7.TOTAL PULLING FORCE:0.8Kg MIN;
- 8.DURABILITY:10000 CYCLES.
- 9.OPERATING TEMPERATURE RANGE:-20°C TO +85°C.

ORDER INFORMATION

MUBR-2M 05 - B K 6 3 R
① ② ③④⑤⑥⑦

1. TYPE:
MUBR-2M: MICRO USB B RECEPTACLE SMT
2. POSITIONS:
05: 05 POSITIONS
3. INSULATOR MATERIAL:
B: LCP
4. INSULATOR COLOR:
K: BLACK
5. CONTACT PLATING:
6: GOLD 30u"
6. SHIELD PLATING:
3: NICKEL PLATING
7. PACKING
R: TAPE&REEL

GENERAL TOLERANCE X±0.50 .X±0.38 .XX±0.25 .XXX±0.15	ANGLE TOLERANCE X°±5.0° .X°±3.0° .XX°±2.0° .XXX°±1.0°	DRAWN <i>hmg</i>	DATE 01/20/15'	
MATL SEE BOM	FINISH SEE NOTES	CHECKED	DATE	
SCALE N/A	UNIT mm	APPROVED <i>River</i>	DATE 01/20/15'	PART NUMBER MUBR-2M05-BK63R
SHEET 1 OF 1				DRAWING NO. GT26-210108
				SIZE A4 REV. A

ITEM	NAME	Q'TY	DESCRIPTION	NOTE
3	SHELL	1	SUS, NICKEL 80u" MIN PLATING	
2	CONTACT	5	BRASS, GOLD 30u" ON CONTACT AREA, 120u" TIN PLATING ON SOLDER TAIL, 50u" NICKEL UNDER PLATING OVERALL.	
1	HOUSING	1	LCP+30%G.F	BLACK, UL94 V-0