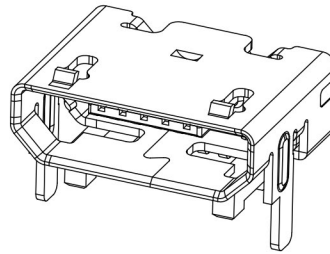
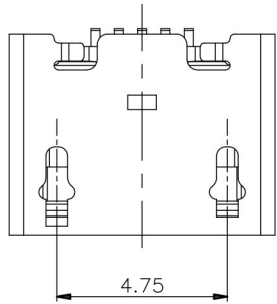


PROPRIETARY INFORMATION
COMPANY CONFIDENTIAL

REV.	ECN. NO.	DESCRIPTION	ENG	DATE
A		INITIAL	Knight	01/16/15'



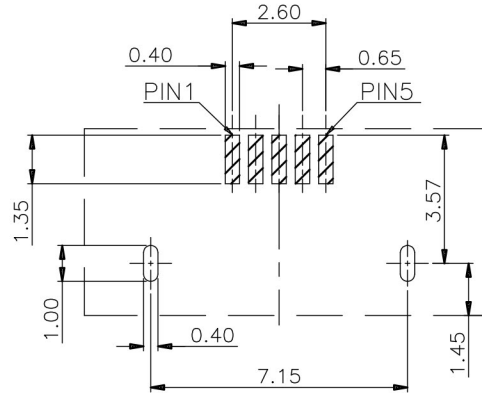
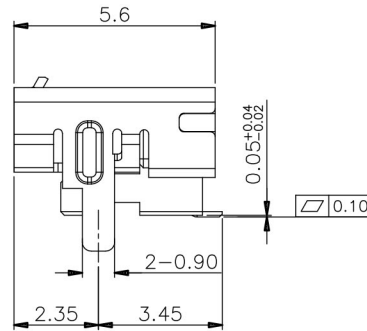
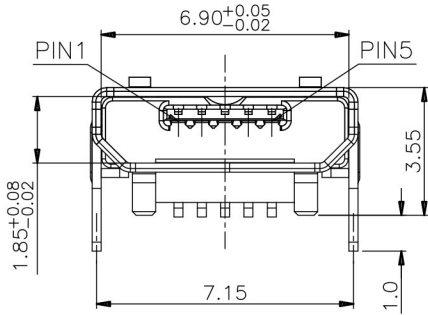
NOTES:

- VOLTAGE RATING:100V AC;
- CURRENT RATING:PIN2,PIN3,PIN4 1A;PIN1,PIN5 1.8A
- INSULATION RESISTANCE:PRE TEST 1000MΩ MIN,FINAL 100MΩ MIN.
- CONTACT RESISTANCE :30mΩ MAX
- DIELECTRIC WITHSTANDING: 500V AC
- TOTAL INSERTION FORCE:3.5Kg MAX
- TOTAL PULLING FORCE:0.8Kg MIN
- DURABILITY:10000 CYCLES.
- OPERATING TEMPERATURE RANGE:-20°C TO +85°C.

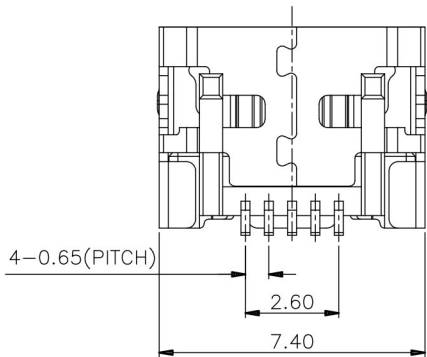
ORDER INFORMATION

MUBR-2P 05 - B K 1 3 R
① ② ③④⑤⑥⑦

- TYPE:
MUBR-2P: MICRO USB B RECEPTACLE SMT
- POSITIONS:
05: 05 POSITIONS
- INSULATOR MATERIAL:
B: LCP
- INSULATOR COLOR:
K: BLACK
- CONTACT PLATING:
1: GOLD FLASH
- SHIELD PLATING:
3: NICKEL PLATING
- PACKING
R: TAPE&REEL



P.C.B LAYOUT(TOLERANCE=±0.05)



GENERAL TOLERANCE X±0.50 .X±0.38 .XX±0.25 .XXX±0.15	ANGLE TOLERANCE X°±5.0° .X°±3.0° .XX°±2.0° .XXX°±1.0°	DRAWN <i>knighe</i>	DATE 01/16/15'	
MATERIAL SEE BOM		CHECKED	DATE	
FINISH SEE NOTES		APPROVED <i>River</i>		DATE 01/16/15'
SCALE N/A	UNIT mm	SHEET 1 OF 1		PART NUMBER MUBR-2P05-BK13R
				DRAWING NO. GT26-210111
				SIZE A4
				REV. A

ITEM	NAME	Q'TY	DESCRIPTION	NOTE
3	SHELL	1	SUS, NICKEL 80u" MIN PLATING	
2	CONTACT	5	BRASS GOLD FLASH ON CONTACT AREA,120u" TIN PLATING ON SOLDER TAIL,50u" NICKEL UNDER PLATING OVERALL.	
1	HOUSING	1	LCP+30%G.F	BLACK, UL94 V-0