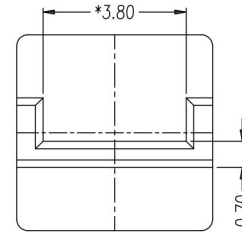
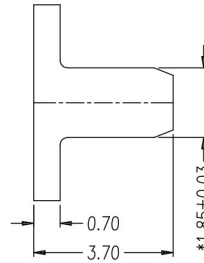
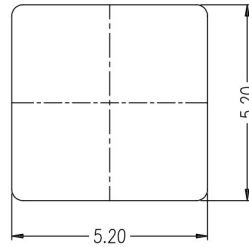
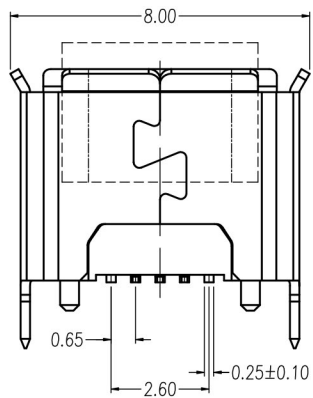
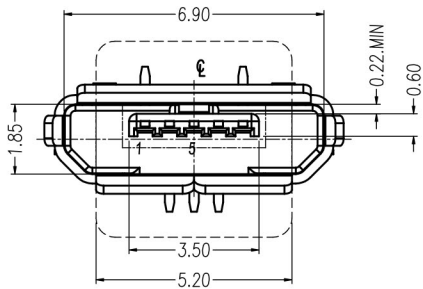
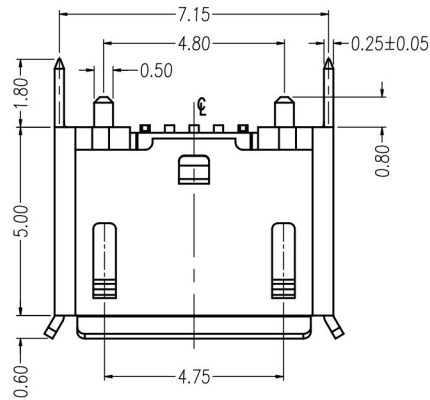
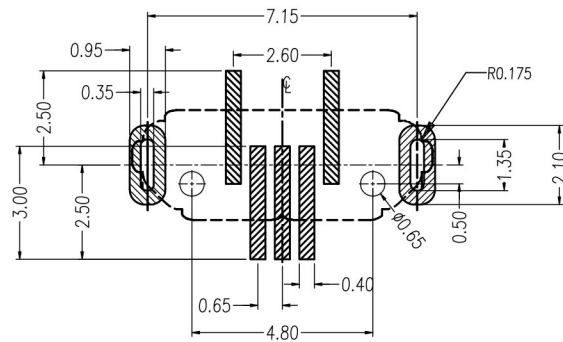
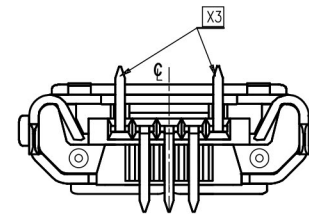
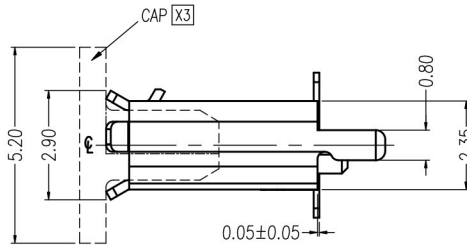


PROPRIETARY INFORMATION
COMPANY CONFIDENTIAL



MICRO 5P CAP



Recommended P.C.B Layout
P.C.B Tolerances:±0.05mm

REV.	ECN. NO.	DESCRIPTION	ENG	DATE
X1		ISSUED	JESSE	06/25/14'
X2		ADD SOLDER FEET	JESSE	06/30/14'
X3		ADD CAP & MODIFY PIN	SUO	07/09/14'
X4		UPDATE SHELL SURFACE	Knight	04/22/15'

- SPECIFICATION:
- ELECTRICAL:
 - VOLTAGE RATING:30V
 - CURRENT RATING: SIGNAL(PINS 2,3,4):1.0A
POWER(PIN 1,5):1.8A
 - OPERATING TEMPERATURE:-55°C TO +85°C
 - CONTACT RESISTANCE:30mΩ MAX
 - INSULATING RESISTANCE:1000MΩ MIN
 - DIELECTRIC WITHSTAND VOLTAGE:100V AC FOR 1 MINUTE
 - MECHANICAL:
 - MATING FORCE:35N MAX
 - UNMATING FORCE:INITIAL 10N MIN
FINAL 8N MIN
 - DURABILITY:10,000 CYCLES
- 3.RoHs 6/6 COMPLIANT

ORDER INFORMATION:

MUBV - 21 05 - B K X 2 R 2T
① ② ③ ④ ⑤ ⑥ ⑦ ⑧

- CONNECTOR:
MUBV: MICRO USB, VERTICAL CONNECTOR
- TYPE:
21: USB 2.0, MICRO-B, SMT TYPE
H=5.6mm
- POSITIONS:
05: 05 POSITIONS
- HOUSING MATERIAL:
B: LCP
- BODY COLOR:
K: BLACK
- CONTACT PLATING:
1: GOLD FLASH
3: 5u" GOLD
- SHIELD PLATING:
2: MATTE TIN
- PACKING
R: TAPE & REEL

ITEM	NAME	Q'TY	DESCRIPTION	NOTE
4	CAP	1	LCP BLACK	UL94-V0
3	SHELL	1	SUS304 PLATING:40U"MIN MATTE TIN OVER,40U"MIN NICKEL 40U"MIN COPPER UNDER-PLATED	
2	CONTACT	5	BRASS PLATING:CONTACT GOLD PLATING,SOLDER GOLD FLASH,NICKEL 40U"MIN UNDER-PLATED	
1	HOUSING	1	LCP BLACK	UL94-V0

GENERAL TOLERANCE	ANGLE TOLERANCE
X±0.50	X°±5.0°
.X±0.38	.X°±3.0°
.XX±0.25	.XX°±2.0°
.XXX±0.15	.XXX°±1.0°

DRAWN	DATE
<i>knighe</i>	04/22/15'
CHECKED	DATE
APPROVED	DATE
<i>River</i>	04/22/15'

GENESIS TECHNOLOGY, INC.	
TITLE	USB 2.0 Micro-B Receptacle, Vertical, SMT Type
PART NUMBER	MUBV-2105-BKX2R2T
DRAWING NO.	GT23-200348
SIZE	A4
REV.	X4