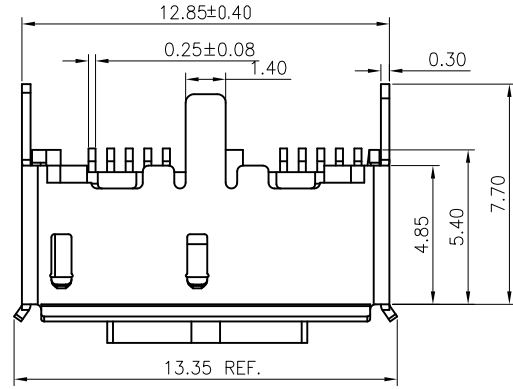


PROPRIETARY INFORMATION
COMPANY CONFIDENTIAL

REV.	ECN. NO.	DESCRIPTION	ENG	DATE
X1		INITIAL	AXL	09/30/14'
X2		ADD PCB LAYOUT AND ADJUST THE LENGTH OF THRU-HOLE LEGS	AXL	10/06/14'
X3		ADD AND EDIT DIMENSIONS	AXL	10/21/14'
X4		MODIFY DIMENSION 1.4mm to 0.8mm FROM LEFT POST	Knight	11/07/14'
X5		CHANGE GOLD PLATING OPTION WAS 30u"	AXL	11/25/14'
X6		ADD WITHOUT POST ORDER	Knight	08/04/15'
X7		REMOVE ALIGNMENT POST	Knight	01/27/16'
X8		ADD MUBV-2410 OPTION	AXL	04/01/16'



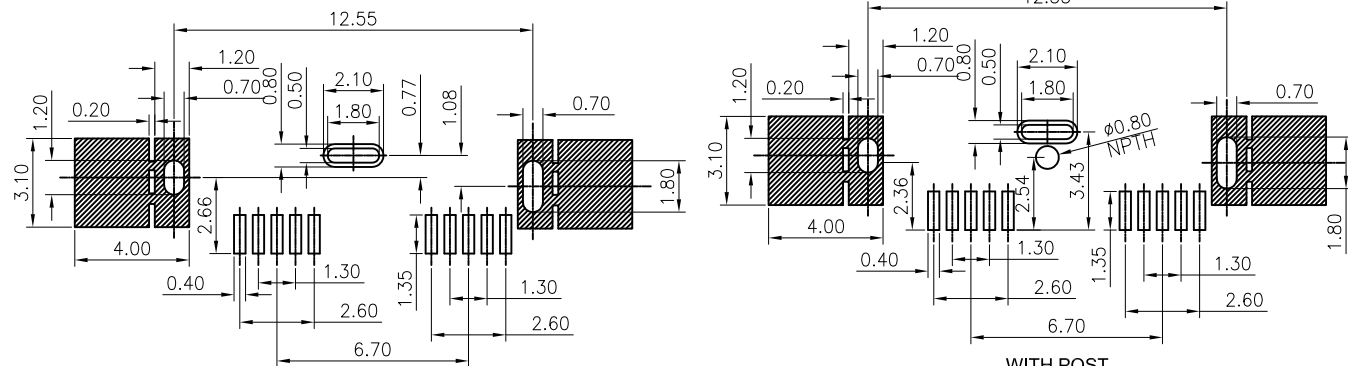
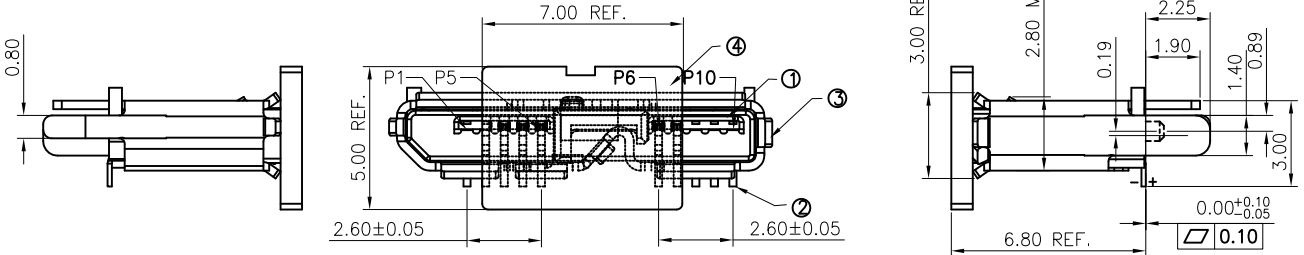
Pin No.	Signal Name
1	VBUS
2	D-
3	D+
4	ID
5	GND
6	MicB_SSTX-
7	MicB_SSTX+
8	GND_DRAIN
9	MicB_SSRX-
10	MicB_SSRX+

NOTES:
 1.MECHANICAL:
 1.1 INSERTION FORCE: 35N Max
 1.2 WITHDRAWAL FORCE: 8N Min
 1.3 DURABILITY: 10000 CYCLES Min
 2.ELECTRICAL SPECIFICATION:
 2.1 CURRENT RATING:1.8A(ONLY PIN1,5),
 0.25A FOR OTHER PIN;
 2.2 CONTACT RESISTANCE:30mΩ Min
 2.3 INSULATION RESISTANCE:100MΩ Min
 2.4 DIELECTRIC WITHSTANDING VOLTAGE:100V AC Min
 3.ENVIRONMENTAL
 3.1 OPERATING TEMPERATURE:-55 °C TO +85 °C

ORDER INFORMATION:

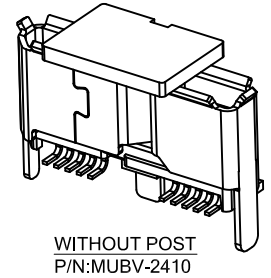
X8**X7****X5** MUBV-2X 10 - B K 5 3 R
 ① ② ③④⑤⑥⑦

- X7****X6** 1.TYPE
MUBV-23. Micro USB 3.0 Vertical B Type with thruhole leg with post
- X8** MUBV-24. Micro USB 3.0 Vertical B Type with thruhole leg without post
- 2.POSITIONS
10:10 POSITIONS
- 3.INSULATOR MATERIAL
B:LCP
- 4.INSULATOR COLOR
K:BLACK
- X5** 5.CONTACT PLATING
5:GOLD 15u"
- 6.SHIELD PLATING
3:NICKEL PLATED
- 7.PACKING
R:TAPE



WITHOUT POST
P/N:MUBV-2410
RECOMMEND PCB LAYOUT
TOL:±0.05mm,COMPONENT SIDE

WITH POST
P/N:MUBV-2310
RECOMMEND PCB LAYOUT
TOL:±0.05mm,COMPONENT SIDE



4	CAP	1	LCP+50%G.F	BLACK, UL94 V-0
3	SHELL	1	SUS,NICKEL 40u" MIN PLATING	
2	CONTACT	10	PHOSPHOR BRONZE, GOLD PLATING ON CONTACT AREA,GOLD FLASH PLATING ON SOLDER AREA,NICKEL 50u" MIN UNDER PLATING OVERALL	
1	HOUSING	1	LCP+50%G.F	BLACK, UL94 V-0
ITEM	NAME	Q'TY	DESCRIPTION	NOTE

GENERAL TOLERANCE	ANGLE TOLERANCE	DRAWN	DATE
X,±	X'±	AXL	04/01/16'
.X±0.40	.X'±	DESIGN	DATE
.XX±0.30	.XX'±	APPROVED	DATE
.XXX±0.20	.XXX'±	SCALE	N/A
		UNIT	mm
		SHEET	1 OF 1

TITILE:	MICRO USB B SMT VERTICAL WITH THRUHOLE LEGS
PART NUMBER:	MUBV-2X10-BK53R X6 X7
DRAWING NO.	GT23-300357
SIZE	A4
REV.	X8