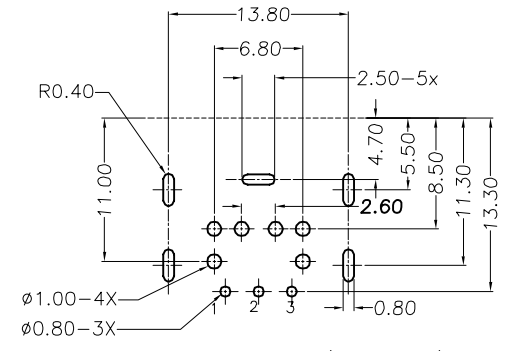
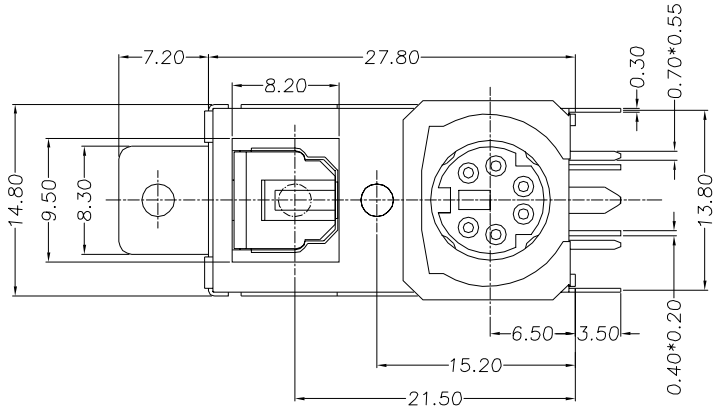
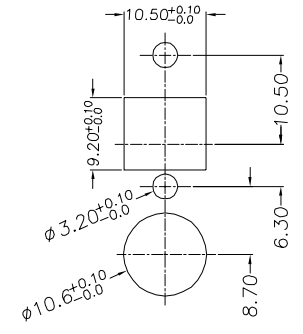
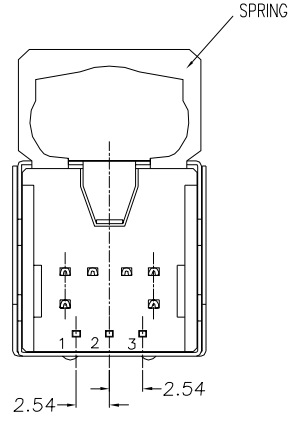
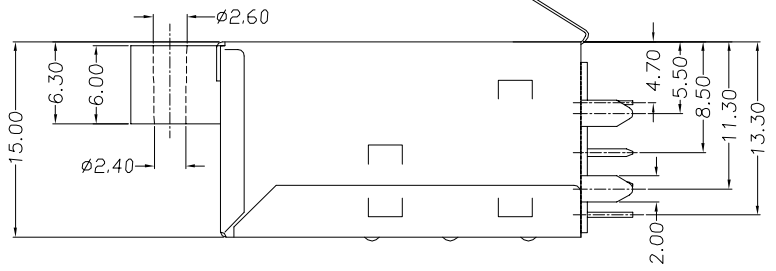


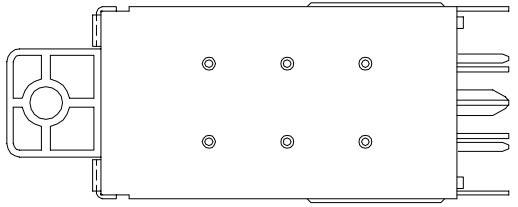
REV.	ECN. NO.	DESCRIPTION	ENG	DATE
		REF. SHEET 2		



RECOMMENDED PCB LAYOUT (BOTTOM VIEW)
PCB TOLERANCE : ±0.05



RECOMMENDED PANEL CUTOUT



TRANSMITTER	
Vin	①
Vcc	②
GND	③

PRELIMINARY
NOT RELEASED

GENERAL TOLERANCE X ± 0.50 .X ± 0.35 .XX ± 0.30 .XXX ± 0.20	ANGLE TOLERANCE X° ± .X° ± .XX° ± .XXX° ±	DRAWN Jesse	DATE 05/30/12'		TITLE. POF + 6PINS MINI DIN CONNECTOR STACKED & DIP TYPE
MATL. SEE NOTES	FINISH SEE NOTES	CHECKED	DATE		PART NUMBER. POMR-XX09-AKXAT2U
SCALE N/A	UNIT mm	APPROVED	DATE	DRAWING NO. GT17-200185	SIZE A4 REV. X1
SHEET 1 OF 2					

REV.	ECN. NO.	DESCRIPTION	ENG	DATE
X1		ISSUED	Jesse	05/30/12

NOTES:

- MATERIAL:
 - HOUSING : PBT+30%G.F., UL94V-0, BLACK
 - CONTACT: COPPER ALLOY
 - GOLD PLATING ON CONTACT AREA
 - 80u" MIN. TIN PLATING ON SOLDER TAIL
 - 40u" MIN. NICKEL UNDERPLATING OVERALL
 - FRONT SHELL: SPCC
 - TIN PLATED & NICKEL PLATED
 - REAR SHELL: SPCC
 - NICKEL PLATED & COPPER PLATED
 - COVER : PA66+30%G.F., UL94V-0, BLACK
 - SPRING : SUS201
 - SPIDF : PBT+30%G.F., UL94V-0, BLACK
- RoHS COMPLIANCE

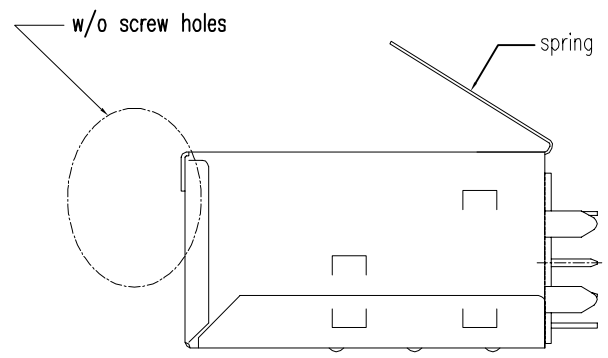
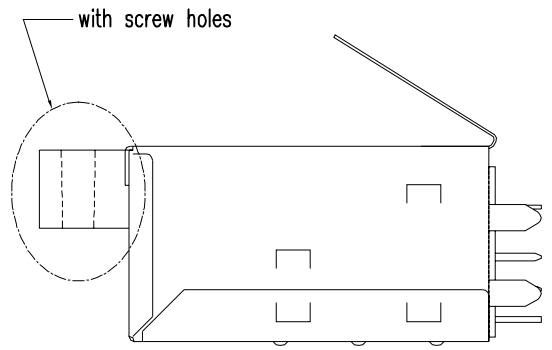
ORDER INFORMATION:

POMR- XX 09 -A K X A T 2U
 ① ② ③ ④ ⑤ ⑥ ⑦

- TYPE
FEMALE, RIGHT ANGLE

23	w/o	with
22	with	w/o
21	w/o	w/o
20	with	with
CODE	Spring	Screw Holes

- POSITIONS
09: 9 POSITIONS
- INSULATOR MATERIAL
A: PBT
- INSULATOR COLOR
K: BLACK
- CONTACT PLATING
1: GOLD FLASH
2: 3u" GOLD
3: 5u" GOLD
5: 15u" GOLD
6: 30u" GOLD
D: TIN PLATING
- SHIELD PLATING
A: FRONT SHELL - TIN
REAR SHELL - NICKEL
- PACKING
T: TRAY



PRELIMINARY
NOT RELEASED

DRAWN Jesse	DATE 05/30/12'		
DESIGN	DATE	TITLE. POF + 6PINS MINI DIN CONNECTOR STACKED & DIP TYPE	
CHECKED	DATE	PART NUMBER. POMR-XX09-AKXAT2U	
APPROVED	DATE	DRAWING NO. GT17-200185	SIZE A4 REV. X1

SCALE <i>N/A</i>	UNIT <i>mm</i>
SHEET 2 OF 2	