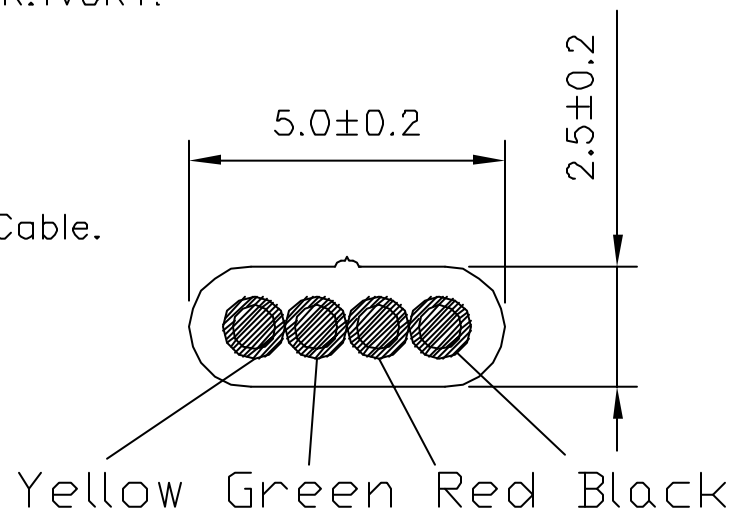


NOTES:

1. CABLE: [28AWG(7/0.127)x6C]TIN, FLAT CABLE, COLOR:IVORY.
2. PLUG: 6P4C GOLD PLATING 6u".
3. RoHS Compliant.
4. Specify Length as Suffix on Part Number in mm.  
For Example:  
RJ14Y-10286-1800 = 1800mm Long RJ14 6P4C Cable.

ORDER INFORMATION

RJ14 Y -10286- X  
 \_\_\_\_\_ LENGTH  
 \_\_\_\_\_ TOOLING  
 \_\_\_\_\_ JACKET COLOR  
 \_\_\_\_\_ SERIES 6/4



A - A SECTION

WIRING

PLUG1 6P4C	Color	PLUG2 6P4C
2	Black	5
3	Red	4
4	Green	3
5	Yellow	2

TOLERANCE	
LINEAR	ANGLES
X.±	X'.±
.X±0.25	.X'±
.XX±0.15	.XX'±
.XXX±0.05	.XXX'±



TITLE: RJ14 6P4C CABLE ASSY

PART NO. RJ14Y-10286-X

DWG NO. SC-10286

[A]	ISSUED	AXL	1/3/07'
REV	ECN NO.	NAME	DATE

APPD:	MAT'L:
CHKD:	FINISH:
DRWN: AXL	Q'TY:

	UNITS	SCALE	SHEET	REV
	MM	NONE	1 OF 1	A