

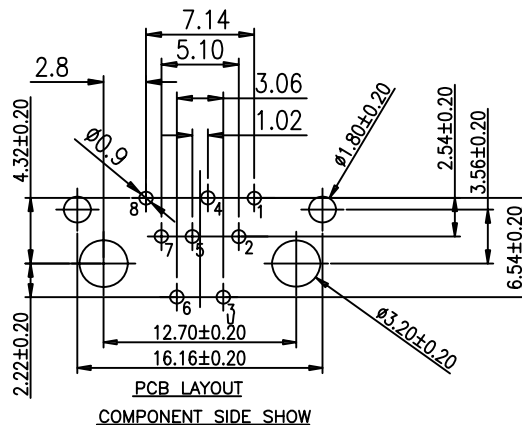
RJ4R- 2N 08 - X K X 3 T 1K  
 ① ② ③ ④ ⑤ ⑥ ⑦

- CONNECTOR:  
RJ4R: RJ45 R/A CONNECTOR
- TYPE:  
2N: FEMALE, DIP TYPE, C5E JACK SIDE ENTRY
- POSITIONS  
08: 8 POSITIONS
- INSULATOR MATERIAL  
A: PBT  
E: PA6T  
J: FR52
- INSULATOR COLOR  
K: BLACK COLOR
- CONTACT PLATING  
2: GOLD 3u"  
5: GOLD 15u"  
6: GOLD 30u"  
7: GOLD 50u"  
8: GOLD 6u"
- SHIELD PLATING  
3: NICKEL

**NOTES:**  
**ELECTRICAL:**

- VOLTAGE RATING : 125 VAC RMS.
- CURRENT RATING : 1.5 AMP.
- CONTACT RESISTANCE : 30 MILLIOHMS MAX.
- INSULATION RESISTANCE: 1000 MEGOHMS MIN. @ 500 VDC.
- DIELECTRIC STRENGTH : 1000 VAC RMS 60Hz, 1MIN.
- LED RATINGS: FORWARD VOLTAGE: 2.2 VOLTS TYPICAL.  
REVERSE VOLTAGE: 5 VOLTS MAXIMUM.
- OPERATING: 750 CYCLES MIN.
- CATEGORY 5e CHARACTERISTIC:

Frequency	Near-End Cross Talk dB, MIN.	Return Loss dB, MIN.	Attenuation dB, MAX.
1.0 MHZ	65.0	35.5	0.1
4.0 MHZ	65.0	35.5	0.1
8.0 MHZ	64.9	35.5	0.1
10.0 MHZ	63.0	35.5	0.1
16.0 MHZ	58.9	35.5	0.2
20.0 MHZ	57.0	34.0	0.2
25.0 MHZ	55.0	32.0	0.2
31.25 MHZ	53.1	30.1	0.2
62.5 MHZ	47.1	24.0	0.3
100.0 MHZ	43.0	20.0	0.4



**MECHANICAL:**

- HOUSING MATERIAL : GLASS FILLED POLYESTER OR HIGH TEMP. UL94V-0.
- INSERT MATERIAL : GLASS FILLED POLYESTER OR HIGH TEMP. UL94V-0.
- BACK PLATE MATERIAL : GLASS FILLED POLYESTER OR HIGH TEMP. UL94V-0.
- LED SIZE : 7x3.05x1.85 P=2.54mm.
- SHIELD MATERIAL : COPPER ALLOY 0.25mm THICKNESS NICKEL PLATING .
- CONTACT MATERIAL : PHOSPHOR BRONZE 0.35mm THICKNESS.
- PLATING : GOLD PLATING OVER NICKEL.
- PCB RETENTION PRE-SOLDER : 1 LB MIN.
- PCB RETENTION POST-SOLDER: 10 LBS MIN.

**ENVIRONMENTAL:**

- STORAGE : -40°C TO +85°C.
- OPERATION: 0°C TO 70°C.
- WAVE SOLDERING TEMPERATURE: 255~265°C (5~10 SECONDS)

MATES WITH MODULAR PLUG CONFORMING TO  
 FCC PART 68, SUBPART F.  
 4. RoHS COMPLIANT

TOLERANCE	
LINEAR	ANGLES
X. ±	X° ±5°
.X ± 0.20	.X° ±5°
.XX ± 0.15	.XX° ±5°
.XXX ± 0.10	.XXX° ±5°



TITLE: C5E JACK SIDE ENTRY

PART NO. RJ4R-2N08-XXK3T1K

DWG NO. GTI09-25025

①	ISSUED	Vegas	03/18/09	.XX ± 0.15	.XX° ±5°	APPD:	MAT'L:	DWG NO.	GTI09-25025		
REV.	ECN NO.	NAME	DATE	.XXX ± 0.10	.XXX° ±5°	CHKD:	FINISH:	UNITS	SCALE	SHEET	REV
						DRWN: VEGAS	Q'TY:	MM	NONE	1 OF 1	1