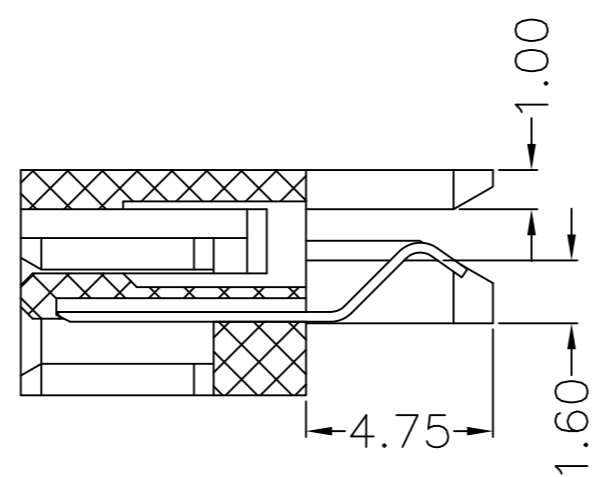
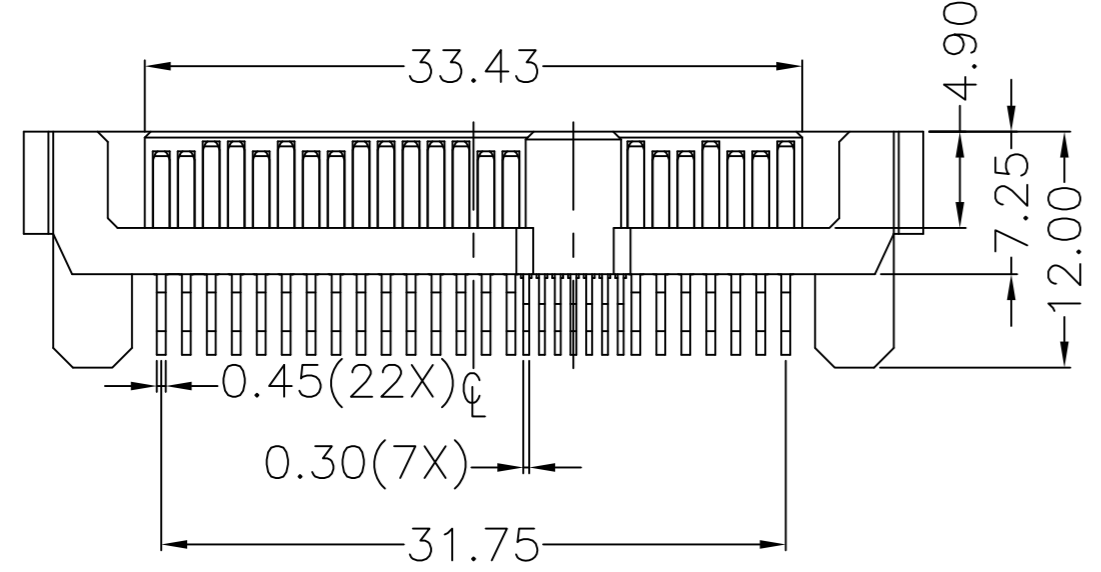
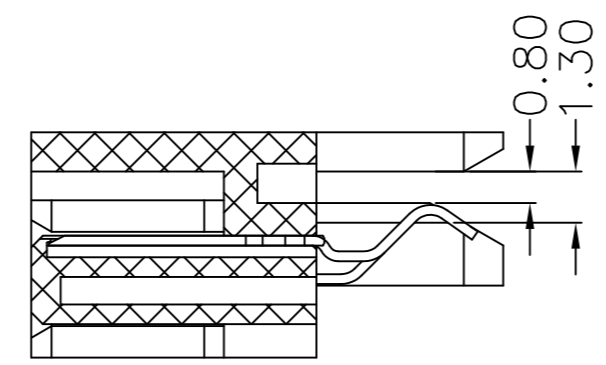
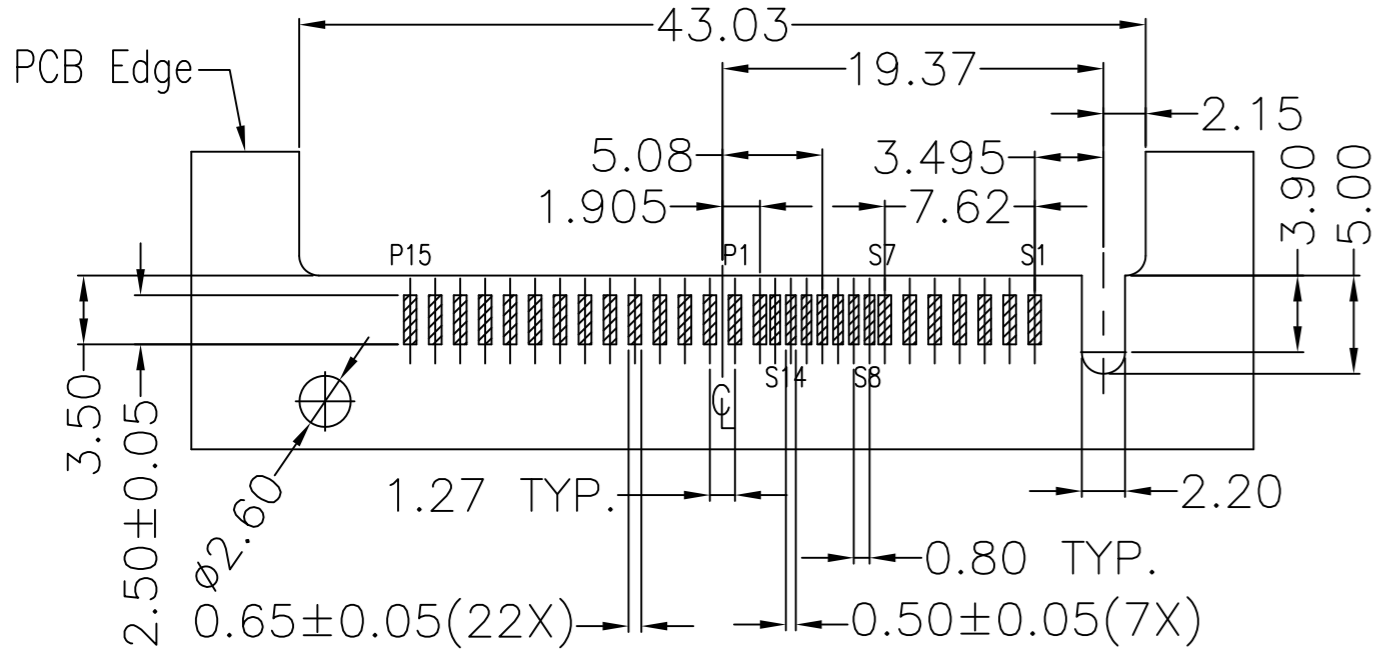


VIEW 0
SCALE 3:1

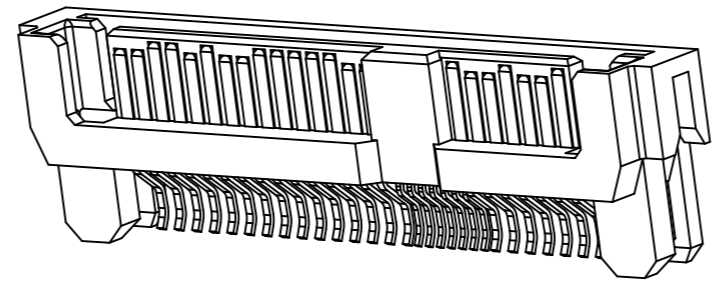


SECT A-A
SCALE 2:1



SECT B-B
SCALE 2:1



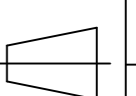
PCB LAYOUT(T=1.00mm)
COMPONENT SIDE



- NOTES:
- MATERIAL
HOUSING: LCP+50%GF, UL 94V-0 RATED, COLOR BLACK
CONTACT: BRASS
 - PLATING
CONTACT: GOLD 30μ" MIN. PLATING ON CONTACT AREA,
TIN 80μ" MIN. PLATING ON SOLDER TAIL,
NICKEL 30μ" MIN. UNDERPLATING OVERALL
 - MECHANICAL
INSERTION FORCE: 25N MAX.
WITHDRAWAL FORCE: 5N MIN.
DURABILITY: 500 CYCLES
 - ELECTRICAL SPECIFICATION
CURRENT RATING: 1.5 AMPERE PER CONTACT
CONTACT RESISTANCE: 30 mΩ MAX.
INSULATION RESISTANCE: 1000 MΩ MIN.
DIELECTRIC WITHSTANDING VOLTAGE: 500 VAC
 - OPERATING TEMPERATURE: 0°C TO +55°C
 - RoHS COMPLIANT

ORDER INFORMATION
SASR - 12 29 - B K 6 0 T 1F
① ② ③ ④ ⑤ ⑥ ⑦ ⑧

- CONNECTOR:
SASR: SAS R/A CONNECTOR
- TYPE:
12: SAS 29P STRADDLE EDGE MOUNT SMT MALE
PCB THICKNESS 1.0MM
- POSITIONS:
29: 29 POSITIONS
- INSULATOR MATERIAL:
B: LCP
- INSULATOR COLOR:
K: BLACK
- CONTACT PLATING:
6: GOLD 30μ" MIN.
- SHIELD PLATING:
0: WITHOUT SHIELD
- PACKING:
T: TRAY

TOLERANCE				TITLE: SAS 29P STRADDLE EDGE MOUNT SMT MALE PCB THICKNESS 1.0MM				
LINEAR	ANGLES			PART NO. SASR-1229-BK60T1F		DWG NO. GTi10-20201		
X. ±	X° ± 3°	APPD:	MAT'L:	 	UNITS	SCALE	SHEET	REV
.X ± 0.38	.X° ±	CHKD:	FINISH:		MM	NONE	1 OF 1	A
.XX ± 0.25	.XX° ±	DRWN: Jeff	Q'TY:					
.XXX ± 0.20	.XXX° ±							

A	FIRST RELEASE	Jeff	11/25/10'
REV	ECN NO.	NAME	DATE